

430EWGN Open Ended Waveguide Probe 1.7-2.6GHz 5dB Gain N Type Female



WR430 Open Ended Waveguide Probe From 1.7GHz to 2.6GHz With a Nominal 5dB Gain With Right Angle Coaxial N Type Female Connector

### Product Information

SKU	430EWGN
-----	---------

### Description

Open ended waveguide Probe 430EWGN, operating from 1.7 to 2.6GHz with a nominal 5dB gain and low VSWR 2.0:1 with right angle coaxial N Type Female output connector. The model 430EWGN has uniform gain through its frequency span, providing efficient performance characteristics and directionality. A small degree chamfer is utilized to give a knife-edge aperture of this model to minimize the end diffraction. This open ended waveguide probe has linear polarization and designed specifically for planar and cylindrical near field measurements and calibration.

### Technical Specification

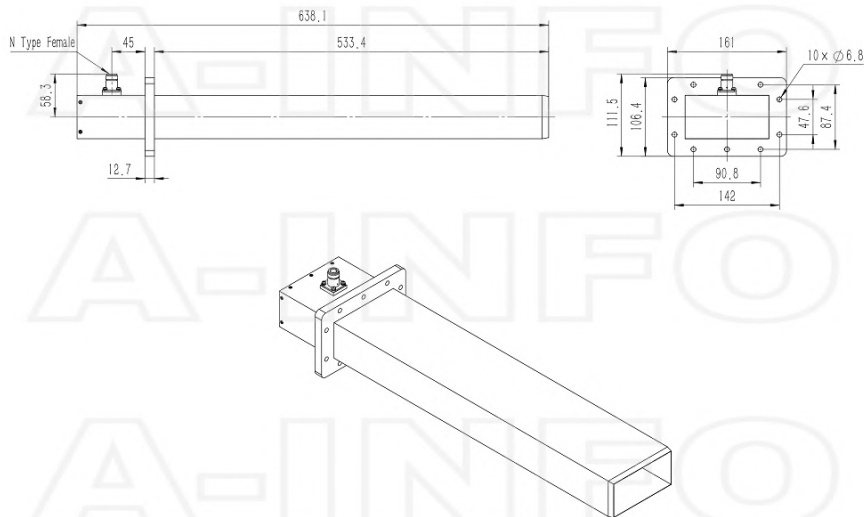
Electrical Specification		Interface	
Frequency, Min (GHz)	1.7	Output Type	Coaxial
Frequency, Max (GHz)	2.6	Connector	N Type
Waveguide Type	Rectangular	Connector Gender	Female
Waveguide Size EIA WR	WR430	Mechanical Specification	
Gain, Typ (dBi)	5	Body Material	Al
Polarization	Linear	Finish	Chemical Conversion Coating, Gray Paint
3dB Beamwidth, E-Plane, Typ (Deg.)	98	Size, W (mm)	161
3dB Beamwidth, H-Plane, Typ (Deg.)	67	Size, H (mm)	111.5
Cross Pol. Isolation, Typ (dB)	30	Size, L (mm)	638.1
VSWR, Typ	2.0:1	Weight, (kg)	1.7
Impedance, (Ohm)	50		
Power Handling, CW, (W)	300		
Power Handling, Peak, (W)	3000		

### Additional Information

Application	General Purpose Indoor & Outdoor, Fixed	Solution for	Planar Near-Field Measurement Cylindrical Near-Field Measurement Spherical Near-Field Measurement
-------------	---	--------------	---

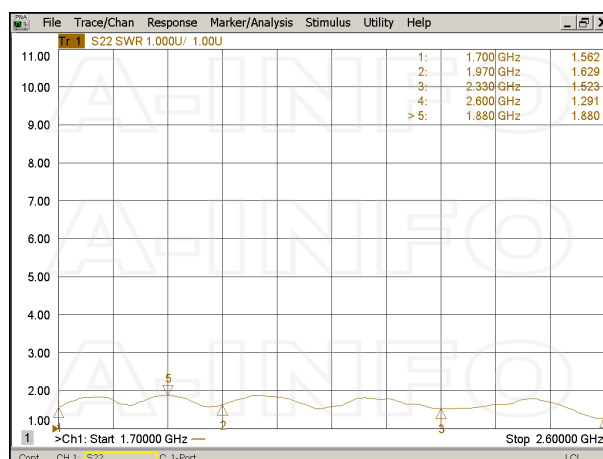
### Outline Drawing

N-Female Output (P/N: 430EWGN)

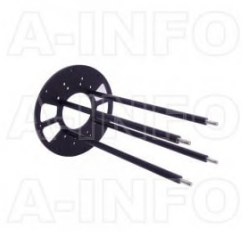


### Typical Test Results

VSWR



### Related Products



EWG-MB50 Round Type Mounting Bracket



Carrying Case\_430EWGN Al Alloy Carrying Case



NM-NM-A050-1000 Flexible Cable Assembly 1000mm DC-18GHz N Male to N Male



NM-NM-A050-1500 Flexible Cable Assembly 1500mm DC-18GHz N Male to N Male



NM-NM-A050-2000 Flexible Cable Assembly 2000mm DC-18GHz N Male to N Male



NM-NM-A050-3000 Flexible Cable Assembly 3000mm DC-18GHz N Male to N Male



NM-NM-A050-5000 Flexible Cable Assembly 5000mm DC-18GHz N Male to N Male



NM-NM-A050-10000 Flexible Cable Assembly 10000mm DC-18GHz N Male to N Male



NM-NM-A050-20000 Flexible Cable Assembly 20000mm DC-18GHz N Male to N Male



NM-NM-A100-1000 Flexible Cable Assembly 1000mm DC-18GHz N Male to N Male



NM-NM-A100-1500 Flexible Cable Assembly 1500mm DC-18GHz N Male to N Male



NM-NM-A100-2000 Flexible Cable Assembly 2000mm DC-18GHz N Male to N Male



NM-NM-A100-3000 Flexible Cable Assembly 3000mm DC-18GHz N Male to N Male



NM-NM-A100-5000 Flexible Cable Assembly 5000mm DC-18GHz N Male to N Male



NM-NM-A100-10000 Flexible Cable Assembly 10000mm DC-18GHz N Male to N Male



NM-NM-A100-20000 Flexible Cable Assembly 20000mm DC-18GHz N Male to N Male

### Similar Products



430EWGS Open Ended  
Waveguide Probe 1.7-2.6GHz 5dB  
Gain SMA Female



430EWG7/16 Open Ended  
Waveguide Probe 1.7-2.6GHz 5dB  
Gain 7/16 DIN Female



430EWGN-A1 Open Ended  
Waveguide Probe 1.7-2.6GHz 5dB  
Gain N Type Female Equipped  
with Absorber



430EWGS-A1 Open Ended  
Waveguide Probe 1.7-2.6GHz 5dB  
Gain SMA Female Equipped with  
Absorber



430EWG7/16-A1 Open Ended  
Waveguide Probe 1.7-2.6GHz 5dB  
Gain 7/16 DIN Female Equipped  
with Absorber



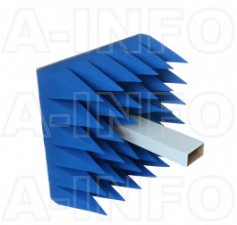
430EWGEN Open Ended  
Waveguide Probe 1.7-2.6GHz 5dB  
Gain N Type Female



430EWGES Open Ended  
Waveguide Probe 1.7-2.6GHz 5dB  
Gain SMA Female



430EWGEN-A1 Open Ended  
Waveguide Probe 1.7-2.6GHz 5dB  
Gain N Type Female Equipped  
with Absorber



430EWGES-A1 Open Ended  
Waveguide Probe 1.7-2.6GHz 5dB  
Gain SMA Female Equipped with  
Absorber

## About this Datasheet

<ul style="list-style-type: none"><li>● <b>Product Information</b></li></ul> <p>Product Link: <a href="https://www.ainfoinc.com/430ewgn-open-ended-waveguide-probe-1-7-2-6-ghz-5db-gain-n-type-female">https://www.ainfoinc.com/430ewgn-open-ended-waveguide-probe-1-7-2-6-ghz-5db-gain-n-type-female</a> Data subject to change without notice. © A-INFO INC. 2024. All Rights Reserved</p>	<ul style="list-style-type: none"><li>● <b>Contact Us</b></li></ul> <p>Address: 60 Tesla, Irvine, CA 92618, USA</p> <p>Website: <a href="http://www.ainfoinc.com">www.ainfoinc.com</a></p> <p>Email: <a href="mailto:sales@ainfoinc.com">sales@ainfoinc.com</a></p>	<ul style="list-style-type: none"><li>● <b>Phone &amp; Fax</b></li></ul> <p>Phone: +1-949-639-9688 +1-949-639-9608</p> <p>Fax: +1-949-639-9670</p>
--	---	--