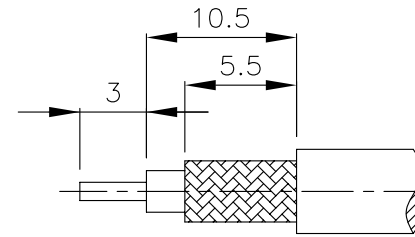
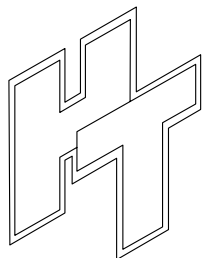
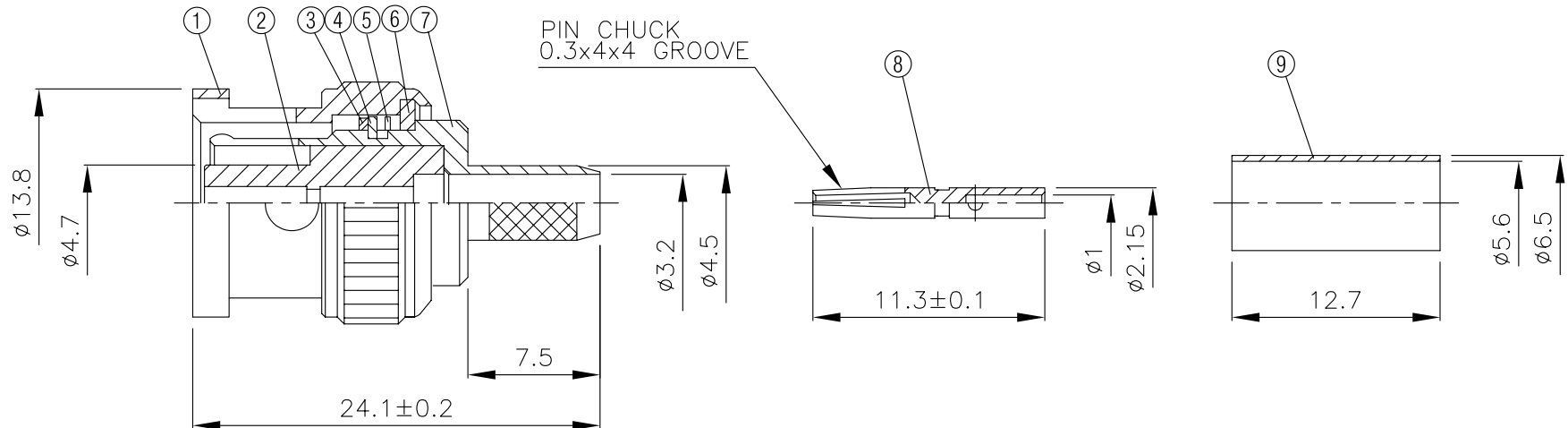
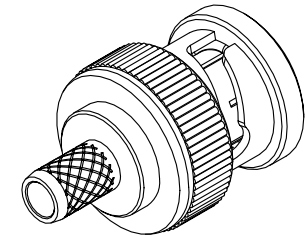


NO	DESCRIPTION	MATERIAL	Q'TY	FINISH	REMARK
1	BODY 1	BRASS	1	NICKEL	B-BNC0184-N
2	INSULATION	TEFLON	1	TEFLON	I-0130T
3	GASKET	SI RUBBER	1	RUBBER	RU-0010
4	WASHER 1	BRASS	1	NICKEL	W-0026-N
5	WASHER 2	BRASS	1	NICKEL	W-0027-N
6	WASHER 3	BRASS	1	NICKEL	W-0025-N
7	BODY 2	BRASS	1	NICKEL	B-TNC0085-N
8	PIN	BRASS	1	GOLD	P-TNC0054-G
9	RING	BRASS	1	NICKEL	R-0007-N



(Recommended Stripping Dimension)



HUS-TSAN GROUP CO., LTD.

P.O.BOX 40-76.TAINAN.TAIWAN,R.O.C.

TITLE BNC MALE CRIMP FOR RG/58U
REVERSE POLARITY

PART NO. BNC-05F-TGN-RP

DRAWING NO. BNC 05F TGN RP

DRAWN MARY DATE 94.02.24

CHECKED 蘇姿潔 DATE

Q.A. 馮健華 DATE

APPROVAL 徐燦霖 DATE

REVISION DATE

DIMENSIONS ARE IN MILLIMETERS

UNLESS OTHERWISE SPECIFIED
TOLERANCE

0.5-5=±0.2 120-315=±1

5-30= ±0.4 315-1000=±1.6

30-120±0.6 1000-2000=±2.4

SCALE 4:1 SIZE A

REVISION

DESCRIPTION ENGINEER

D

D

C

C

B

B

A

A

4

3

2

1