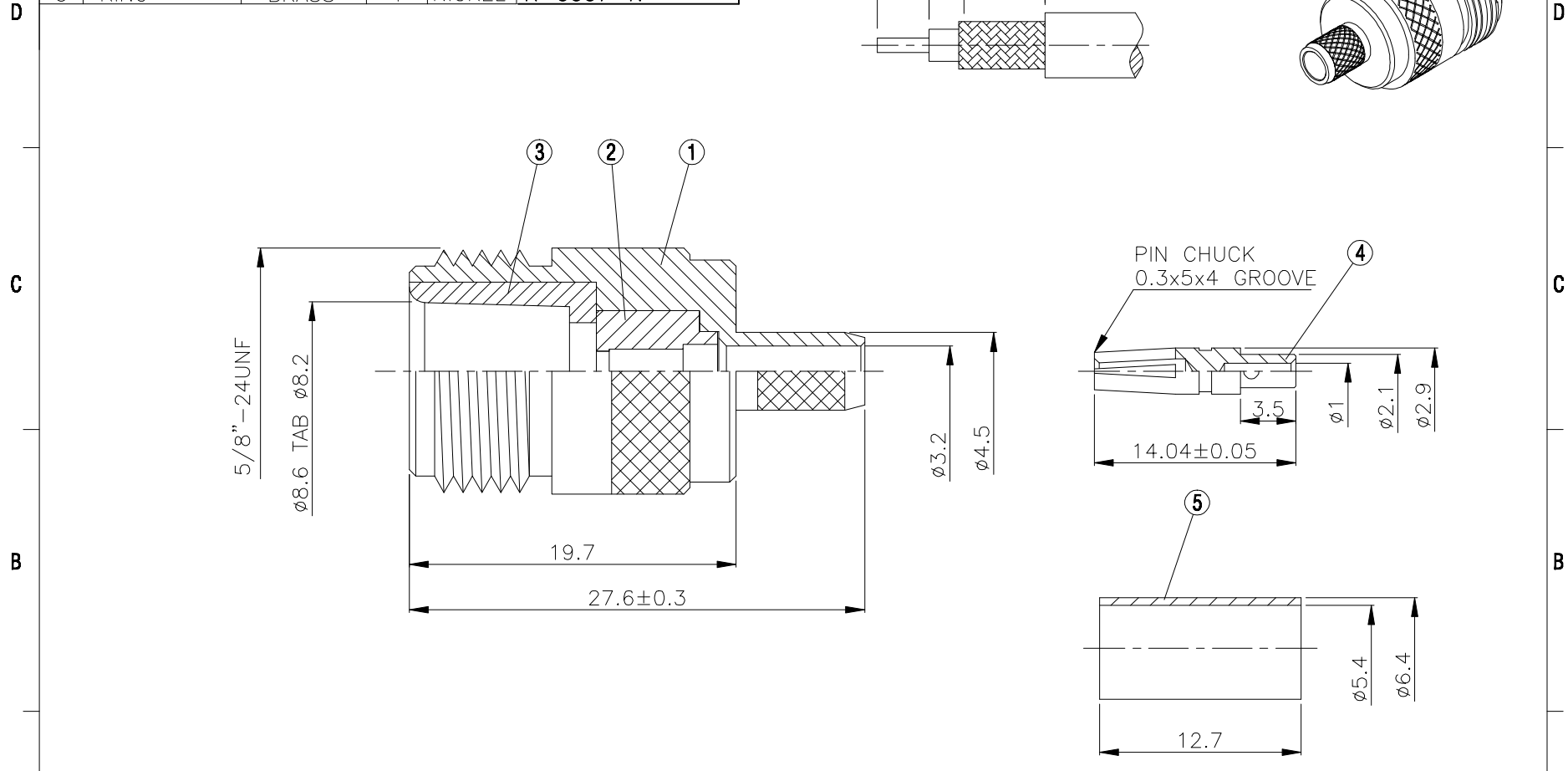
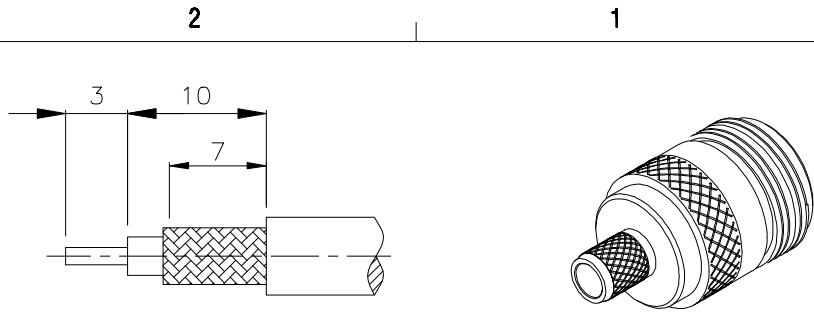


NO	DESCRIPTION	MATERIAL	Q'TY	FINISH	REMARK
1	BODY 1	BRASS	1	NICKEL	B-N0017-N
2	INSULATION	TEFLON	1	TEFLON	I-0096T
3	BODY 2	BRASS	1	NICKEL	B-N0320-N
4	PIN	BRASS	1	GOLD	P-N0013-N
5	RING	BRASS	1	NICKEL	R-0007-N



	HUS-TSAN GROUP CO., LTD.		DRAWN	MARY	DATE	DIMENSIONS ARE IN MILLIMETERS				REVISION	
	P.O.BOX 40-76.TAINAN.TAIWAN,R.O.C.		CHECKED	蘇志欣	DATE	UNLESS OTHERWISE SPECIFIED TOLERANCE				DESCRIPTION	ENGINEER
	TITLE N FEMALE CRIMP FOR RG58U,141A/U		Q.A.	蘇姿潔	DATE	0.5-5=±0.2	120-315=±1				
	PART NO. N-04F-TGN		APPROVAL	徐燦霖	DATE	5-30= ±0.4	315-1000=±1.6				
	DRAWING NO. N 04F TGN		REVISION		DATE	30-120±0.6	1000-2000=±2.4				
					SCALE	4:1	SIZE	A			