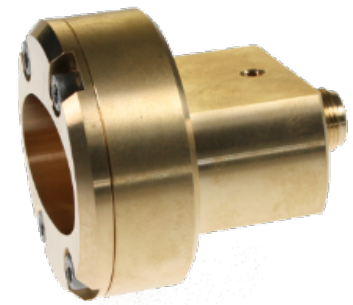




The high performance coaxial cable to waveguide adapter is specifically designed to provide the highest quality interface while simplifying and speeding up the attachment of connectors to the RADIAFLEX® radiating waveguide RE60. The connector provides outstanding value to users because they permit quick, easy and reliable installation at any location, thereby allowing the operator flexibility while saving installation time.

**FEATURES / BENEFITS**

- **Waveguide installation** - the flange adapter provides proper matching of elliptical waveguide flanges to N-female connector.
- **Time-saving and easy installation** - reliable and simple attachment avoids unnecessary connector adjustments and provides outstanding performance. Saves time and provides cost savings.
- **Robust mechanical design** - ideally for in-tunnel applications.
- **Excellent electrical performance** - low VSWR
- **Totally waterproof** - assures safe, long term operation.



NF-RE60

**Technical features**

**GENERAL SPECIFICATIONS**

Transmission Line Type		Elliptical Waveguide
Cable Size		RE60
Connector Interface		N female
Connector Type		Axially in the direction of the installed waveguide
Sealing Method		Shrinking Sleeve
Gender		Female

**ELECTRICAL SPECIFICATIONS**

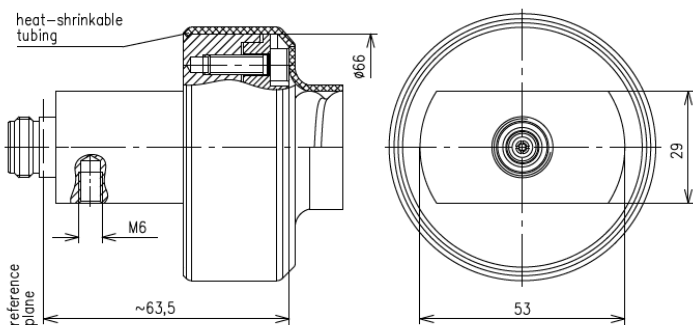
Nominal Impedance, ohms	Ohm	50
VSWR, Return Loss	VSWR (dB)	5.0 <math>f \le 6.0 \text{ GHz}</math>: 1.12 (24.9)

**MECHANICAL SPECIFICATIONS**

Plating Outer/Inner		Brass
Length	mm (in)	75 (2.95)
Outer Diameter	mm (in)	69 (2.72)

**TESTING AND ENVIRONMENTAL**

Waterproof Level		IP68
------------------	--	------



all dimensions in millimeter

Sketch NF-RE60

**External Document Links**

[Installation Instruction](#)

**Notes**

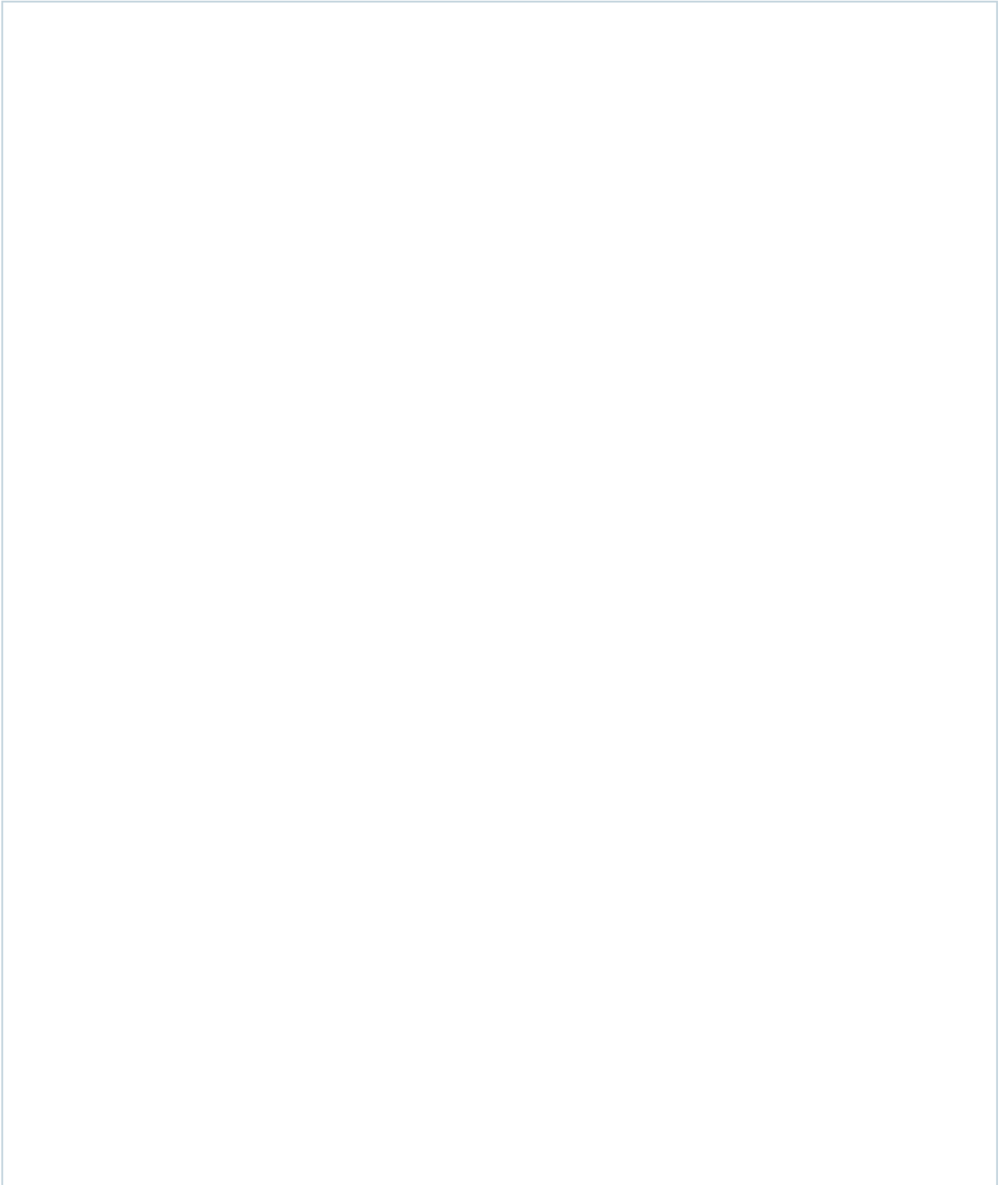
Power Rating: 10 Watt  
Earthing: via M6 screw



PRODUCT DATASHEET

**NF-RE60**

Elliptical Waveguide to Type N Female Coax Adapter



**NF-RE60**

REV : A

REV DATE : 07 Sep 2015

[www.rfsworld.com](http://www.rfsworld.com)