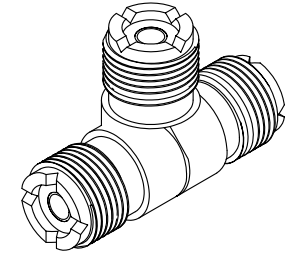


NO	DESCRIPTION	MATERIAL	Q'TY	FINISH
1	BODY 1	BRASS	1	NICKEL
2	INSULATION	DELTRIN	2	DELTRIN
3	PIN 2	BRASS	1	NICKEL
4	PIN 2	BRASS	1	NICKEL
5	INSULATION	DELTRIN	1	DELTRIN
6	BODY 2	BRASS	1	NICKEL
7	SPRING	SK-5	1	NICKEL



D

C

B

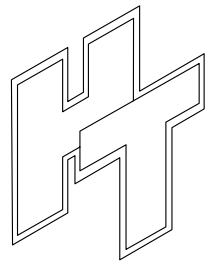
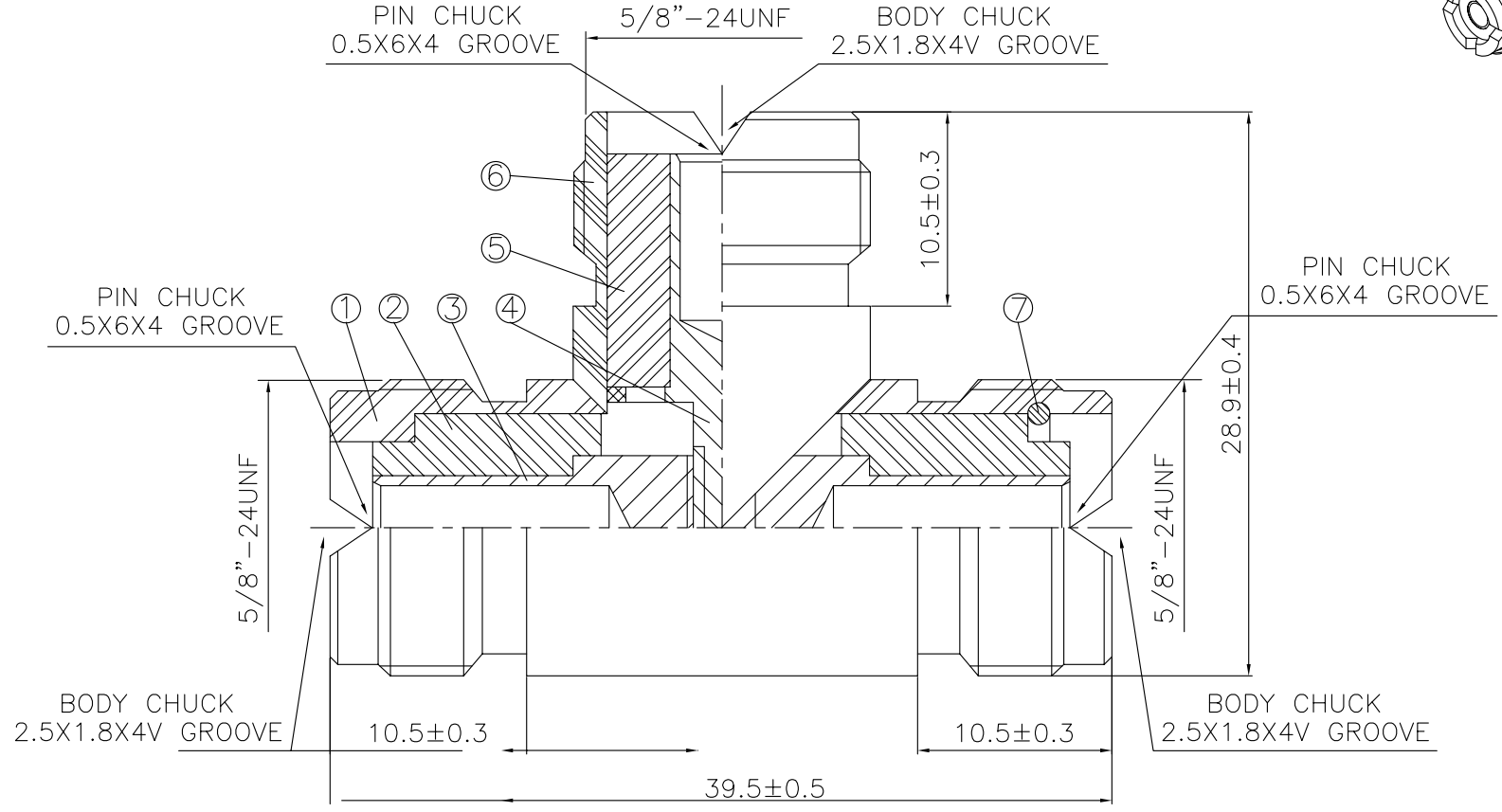
A

D

C

B

A



HUS-TSAN GROUP CO., LTD.
P.O.BOX 40-76.TAINAN.TAIWAN,R.O.C.
TITLE
FEMALE - FEMALE - FEMALE
PART NO.
UHF-15-DNN
DRAWING NO.
UHF 15 DNN

DRAWN MARY **DATE** 96.07.09
CHECKED 蘇志欣 **DATE**
Q.A. 蘇姿潔 **DATE**
APPROVAL 徐燦霖 **DATE**
REVISION **DATE**

DIMENSIONS ARE IN MILLIMETERS
UNLESS OTHERWISE SPECIFIED TOLERANCE
0.5-5=±0.2 120-315=±1
5-30=±0.4 315-1000=±1.6
30-120=±0.6 1000-2000=±2.4
SCALE 4:1 **SIZE** A

REVISION	
DESCRIPTION	ENGINEER

4

3

2

1