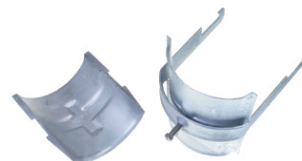




# Cable hanger for HELIFLEX® Air-dielectric coaxial cable

Hangers for the installation of HELIFLEX® cables on different supporting profiles.  
Cable Clamp and Extended Counterbed hot-galvanized steel  
Screw: stainless steel.



picture shows the 1L4 version for illustration purpose only

## Technical Features

### GENERAL SPECIFICATIONS

|                        |  |                           |
|------------------------|--|---------------------------|
| Product Line           |  | Coaxial Cable Accessories |
| Product Type           |  | Hanger                    |
| Hanger Type            |  | Angle iron 40mm (1.575")  |
| Transmission Line Type |  | HCA550                    |
| Cable Type             |  | Air Dielectric            |

### MECHANICAL SPECIFICATIONS

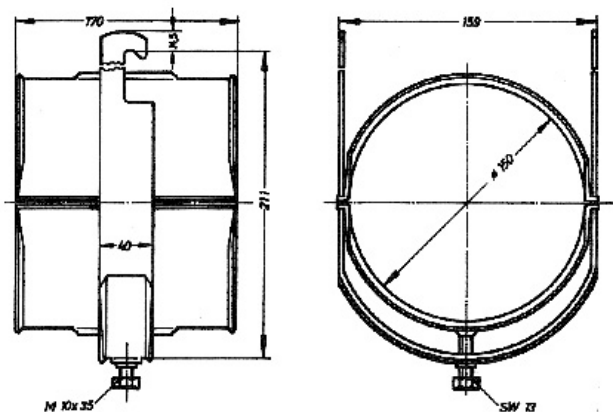
|                                     |        |  |
|-------------------------------------|--------|--|
| Cable Size                          |        | 5-1/2"   |
| Material                            |        | Cable Clamp : hot-dip galvanized<br>Extended Counterbed : hot-dip galvanized<br>Screw: Stainless steel |
| Recommended / Maximum Clamp Spacing | m (ft) | 1 / 2 (3.3 / 6.6)  |

### TEMPERATURE SPECIFICATIONS

|                       |         |                         |
|-----------------------|---------|-------------------------|
| Operation Temperature | °C (°F) | -50 to 85 (-58 to 185 ) |
| Storage Temperature   | °C (°F) | -50 to 85 (-58 to 185 ) |

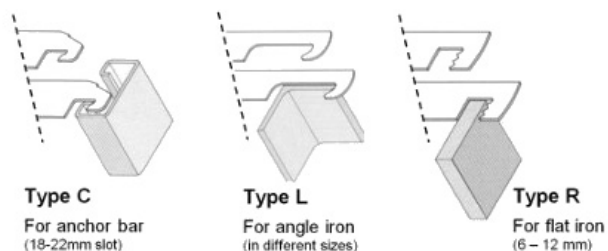
### PACKAGING INFORMATION

|                  |  |   |
|------------------|--|---|
| Package Quantity |  | 1 |
|------------------|--|---|



HCH550-1L4-DRW.png

### HCH Clamps available for different types of interfaces:



HCH Clamps available for different types of Interfaces.png

### External Document Links

### Notes

Hangers for angle iron 40mm (1.575")