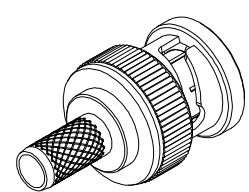
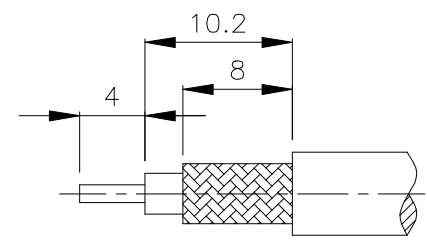
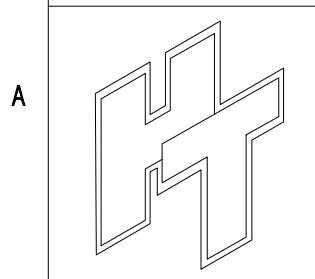
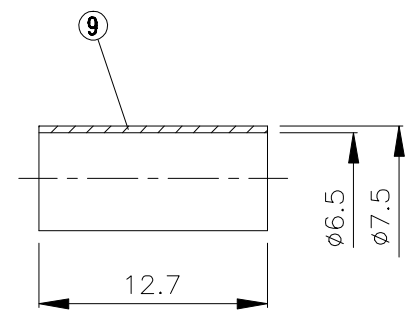
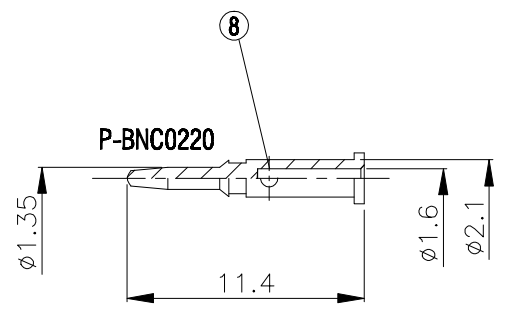
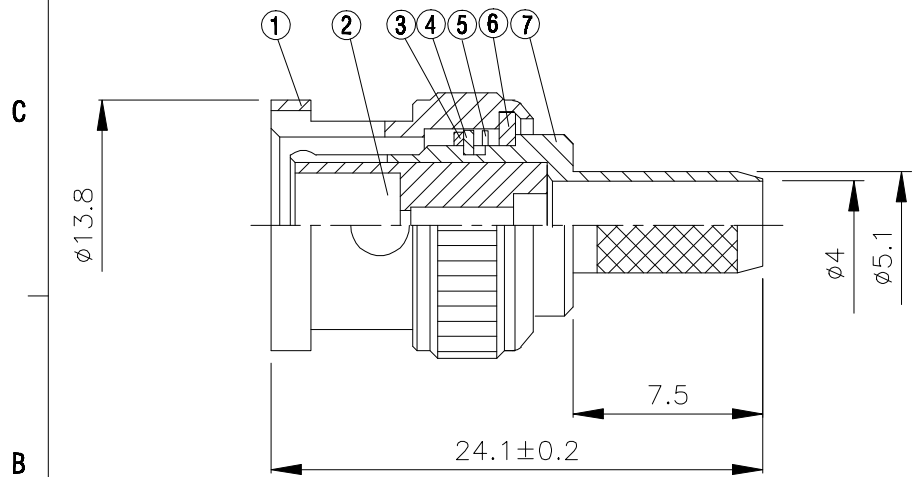


NO	DESCRIPTION	MATERIAL	Q'TY	FINISH	REMARK
1	BODY 1	BRASS	1	NICKEL	B-BNC0184-N
2	INSULATION	TEFLON	1	TEFLON	I-0130T
3	GASKET	SI RUBBER	1	RUBBER	RU-0010
4	WASHER 1	BRASS	1	NICKEL	W-0026-N
5	WASHER 2	BRASS	1	NICKEL	W-0027-N
6	WASHER 3	BRASS	1	NICKEL	W-0025-N
7	BODY 2	BRASS	1	NICKEL	
8	PIN	BRASS	1	GOLD	
9	RING	BRASS	1	NICKEL	R-0018-N



(Recommended Stripping Dimension)



**HUS-TSAN GROUP CO., LTD.**  
P.O.BOX 40-76.TAINAN.TAIWAN,R.O.C.  
**TITLE BNC MALE CRIMP REVERSE POLARITY FOR LMR-240**  
**PART NO. BNC-05R-TGN**  
**DRAWING NO. BNC 05R TGN**

**DRAWN MARY** **DATE 97.05.02**  
**CHECKED 蘇志欣** **DATE**  
**Q.A. 蘇姿潔** **DATE**  
**APPROVAL 徐燦霖** **DATE**  
**REVISION** **DATE**

**DIMENSIONS ARE IN MILLIMETERS**  
**UNLESS OTHERWISE SPECIFIED TOLERANCE**  
0.5-5=±0.2    120-315=±1  
5-30=±0.4    315-1000=±1.6  
30-120=±0.6    1000-2000=±2.4  
**SCALE 4:1**    **SIZE A**

REVISION	
DESCRIPTION	ENGINEER