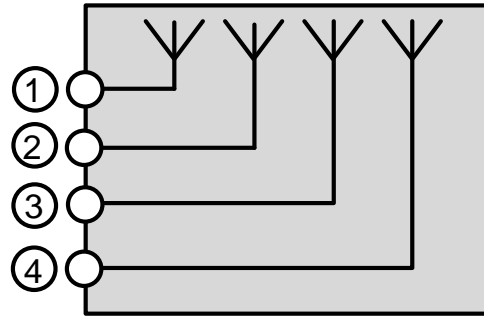


4x4 MIMO HHHH-Pol Omni Chip Antenna, 694MHz-4000MHz



not binding



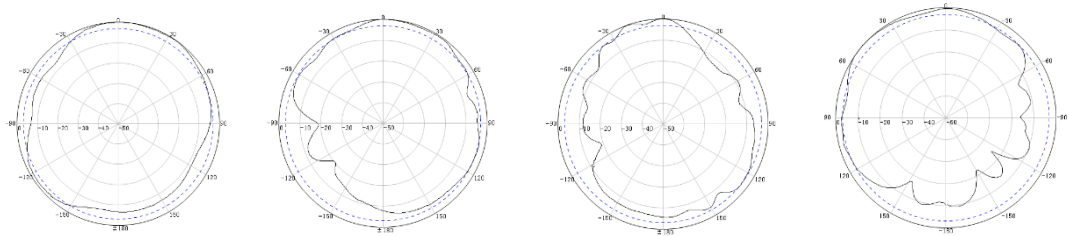
block diagram

Part number		BN A77670		
Connector		4 x 4.3-10 female (50 Ω)		
Frequency range, [MHz]		694-960	1690-2700	3300-4000
Gain, [dBi]		3±0.5	3.5±0.5	4.5±1.0
Polarization		4 x Horizontal		
Beam width, [deg]	Horizontal	360		
	Vertical	90	85	45
Isolation, [dB]		≥16	≥20	≥25
VSWR		≤1.8		
Intermodulation (IM3) @ 2x 20 W, [dBc]		≤-153		
Input power, [W]		max. 50		
Degree of protection		Indoor / IP52		
Weight, without Mounting Kit, [kg]		1.0		
Radome Material and Color		ABS, White, RAL9003		
Temperature range, [°C]		-55 - +60		
Dimensions, [mm]		Ø360 x 24		
Pigtail Length, [mm]		550		
Operational Humidity		<95%		
RoHS		Compliant		
Flammability rating		UL 94-V0		
Fire load, [kWh]		6.25		
Installation instructions		M36535		
Mounting Kit		Ceiling ¹⁾ , via hole(standard)		

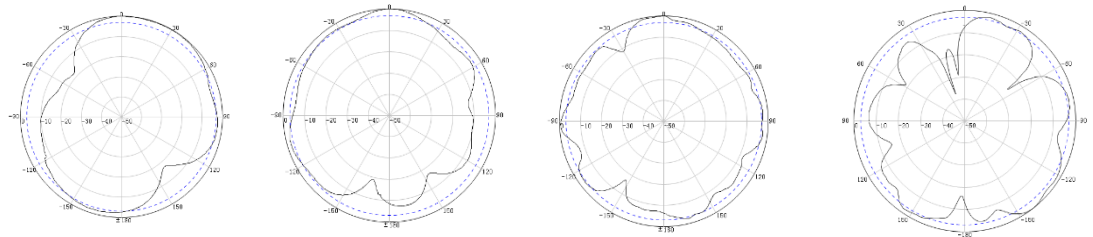
¹⁾ The installation of Thin Chip antennas is not recommended for metal ceilings.

Radiation pattern:

Horizontal pattern



Vertical pattern



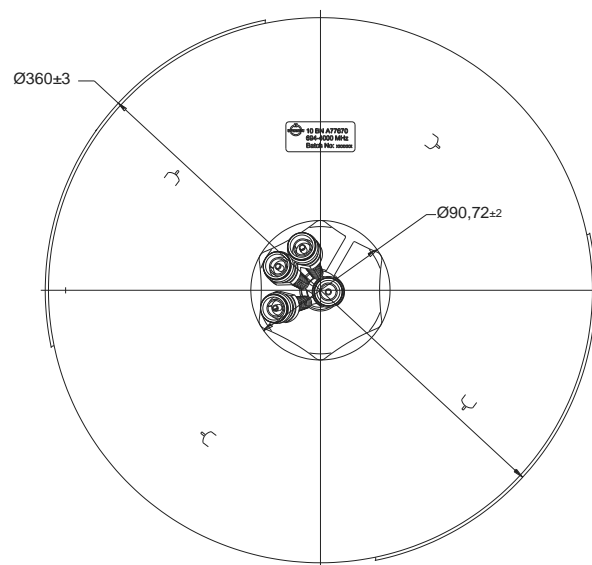
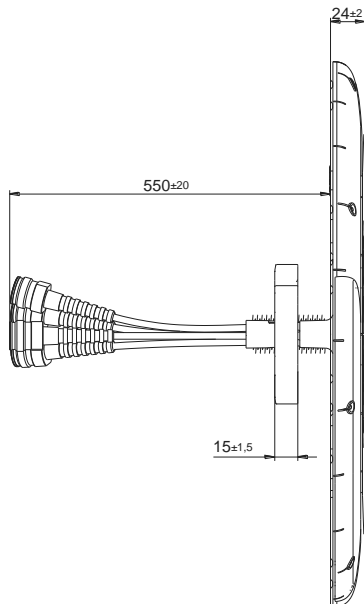
900MHz

1710MHz

2500MHz

3500MHz

Dimensions and mounting:



Standard:

4.3-10 female (50 ohms): IEC 61169-54

modifications reserved