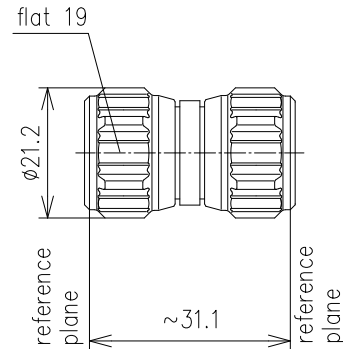


ADAPTOR PLUG - PLUG TYPE N



Part number	BN 29 36 50			
Connector type	N plug / N plug			
Impedance	50 Ω			
Frequency range	0 - 1 GHz	1 - 2 GHz	2 - 4 GHz	4 - 11 GHz
VSWR	≤ 1.02	≤ 1.04	≤ 1.1	≤ 1.3
Intermodulation (IM3) 2x20W	≤ -165 dBc			
Material and surface				
Inner conductor	copper alloy		gold-plated	
Outer conductor	copper alloy		silver-plated	
Other metal parts	copper alloy		bright nickel-plated	
Insulation	PTFE			
Sealing	silicone rubber			
Degree of protection	IP68 (mated)			
Standards	IEC 61169-16			
Weight	approx. 0.04 kg			