

Barcode:

Code 39

Strichbreitenreduzierung: 1 Pixel

Skalierung: 100%

Strichhöhe: 0,5

Verhältnis breit zu eng : 2,5 zu 1

Modus 43 Prüfung

Schrift: Arial , 14 Pkt. , Fett

Layout- Spezifikation/Specification:

Farbe / Color : schwarz RAL9005 matt

Druck / Print : Wie dargestellt / As shown

Geringe drucktechnisch bedingte
Abweichungen sind zulässig.
Minor printing deviations are
permitted.

RFS-Logo : 1600159 (15x20mm)

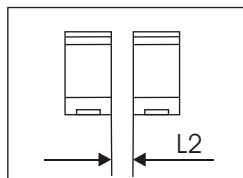
Layouts see Page 2 and 3

					Datum	Name	Reg/SAP: 153 617 05
				Drawn	06.07.12	Röthig	Installation instruction RSB-S12/78
01	ECM 50000003362		Bern				
Rev.	Remark / Change	Date	Name	RFS Germany		Doc.No.:	1000006067
Replaces: HTT58.055-02				Replaced by		Sheet - 1 - of - 3 - Sht.	

Recommended clamp spacing (L2)

Cable type	recommended spacing	critical areas and bends
SCF14	0,2	
SCF38	0,25	
SCF12	0,3	
SCF78	0,8	
LCF14	0,5	
LCF12	0,6	
LCF38	0,5	
LCF58	0,7	
LCF78	0,8	
LCF114	1,0	
LCF158	1,2	
HCA38	0,5	
HCA58	0,9	0,5
HCA78	0,9	0,5
HCA118	0,9	0,5
HCA158	1,2	0,8

Unit
L2 = m



The cable/waveguide must be bended stressfree in bends before clamping !

10000006067-01

Radio Frequency Systems

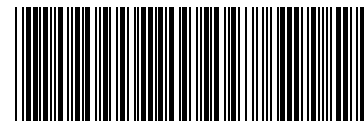
www.rfsworld.com

RADIO FREQUENCY SYSTEMS



Model name

RSB-S12/78



Kit of

10



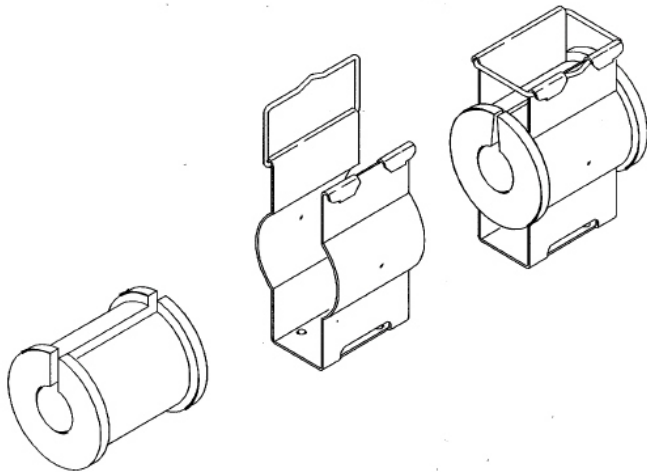
Article No.

155 617 05

Product family

RSB-Clip® lining

Installation notes see the following pages



Spacing (L1) between RSB-Clips

waveguide/cable type	min.spacing	model name
E100 - E150	30	RSB-118
E185 - E380	16	RSB-78
LCF14	16	RSB-78
LCF38		
LCF78		
SCF14	16	RSB-78
SCF38		
SCF12		
SCF78		

Unit
L1 = mm

