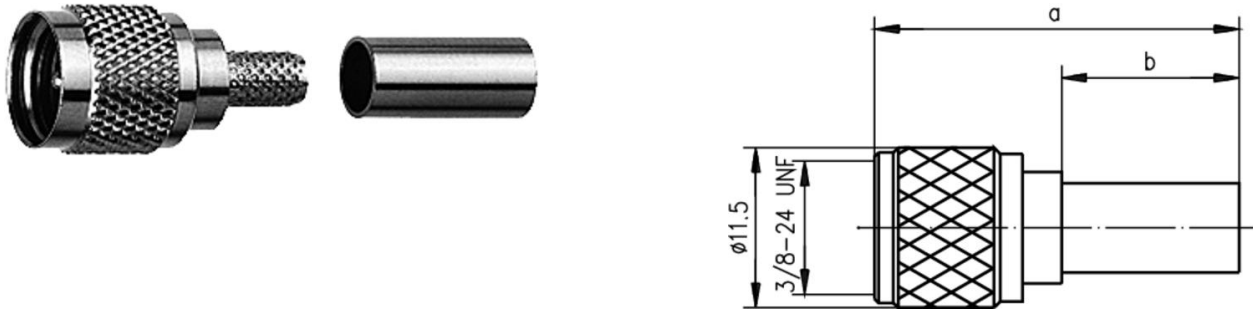


order number: J01045F0000

Mini UHF Straight Plug Crimp G1 (RG-58C/U) crimp/crimp



Technical Attributes	
Cable group; cable	G1 (RG-58C/U) HPF 195 WCX195 RG-58C/U 9907 7806A LMR-195 KX 15 CNT-195
Remarks	crimp/crimp
Dimensions	a=26, b=12.7
Assembly	B1305
Crimp die	N01003A0005

Product description

The Mini-UHF series is a miniaturized version of the UHF connector, but has improved electrical performance. The Mini-UHF has threaded coupling and can be used up to a frequency of 2.5 GHz. Unlike the UHF, the Mini-UHF series is impedance controlled at 50 Ω. Connector styles are available for flexible and conformable cables. Solder and crimp techniques are used to terminate this series. Applications for the Mini-UHF series are in the area of mobile radios and mobile communications; especially in vehicles.

Mechanical Characteristics	
Material: spring contacts	CuSn6; CuZn39Pb3
Material: outer conductor	CuZn39Pb3
Material: other metal parts	CuZn39Pb3

Material: insulators	POM; PP
Finish: Inner conductor	Cu1Ni2Au0.8 resp. Cu2Ag5
Finish: Outer conductor	Cu2Ni5
Finish: Other metal parts	Cu2Ni5

Climatic Characteristics	
Climatic category acc. to IEC 60068 - 1	40/085/21

Electrical Characteristics	
Contact resistance inner conductor	$\leq 5 \text{ m}\Omega$
Contact resistance outer conductor	$\leq 2.5 \text{ m}\Omega$
Insulation resistance	$\geq 5 \text{ G}\Omega$
Voltage proof	1 kVeff/50 Hz
Impedance	50 Ω
Return loss	$\geq 20 \text{ dB}/2.5 \text{ GHz}$
Working voltage	$\leq 335 \text{ Veff}/50 \text{ Hz}$
Frequency range up to	2.5 GHz