

REVISIONS			
REV.	DESCRIPTION	DATE	APPROVED
A	INITIAL RELEASE	10/12/12	J. QU
B	VSWR CHANGED	08/28/15	J. QU
C	OUTLINE DRAWING CHANGED	06/29/16	J. QU
D	INTERMODULATION(3 <sup>RD</sup> ORDER) CHANGED TO < -165 DBC	07/07/21	J. QU
E	FREQUENCY RANGE CHANGED TO DC-6 GHZ	08/15/22	J. QU

**MATERIAL & FINISH**

- 1 BODY: BRASS, ALBALOY PLATED
- 2 CENTER CONTACT: PHOSPHOR BRONZE, SILVER PLATED
- 3 INSULATOR: PTFE
- 4 COUPLING NUT: BRASS, ALBALOY PLATED
- 5 GASKTE: SILICONE RUBBER

**ENVIRONMENTAL DATA:**

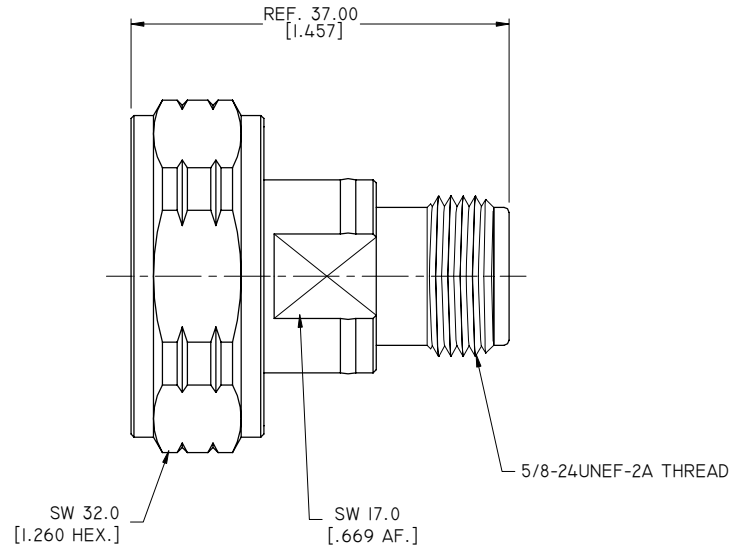
- 1 TEMPERATURE RANGE: -55°C~+125°C
- 2 2011/65/EU(RoHS) AND 2015/863/(RoHS): COMPLIANT
- 3 1907/2006/EC(REACH): COMPLIANT

**ELECTRICAL DATA:**

- 1 IMPEDANCE: 50 OHMS
- 2 FREQUENCY RANGE: DC~6 GHZ
- 3 VSWR: 1.10 MAX. AT DC~3 GHZ  
1.20 MAX. AT 3~6 GHZ
- 4 WITHSTANDING VOLTAGE: 2500 VRMS MIN.
- 5 INTERMODULATION(3R<sup>°</sup>; ORDER): < -165 DBC(2X43 DBM) AT 0.4~3 GHZ

**MECHANICAL DATA:**

- 1 NET WEIGHT: 75G



DRAWN	X. Y	DATE	08/15/22
CHECKED	W. Y	DATE	08/15/22
APPROVED	J. Q	DATE	08/15/22



UNLESS OTHERWISE SPECIFIED DIMENSIONS ARE IN MILLIMETERS, DIMENSIONS IN [ ] ARE IN INCHES FOR CUSTOMER REFERENCE ONLY UNLESS OTHERWISE SPECIFIED TOLERANCE ARE:

.XX	±0.13 [.005"]
.X	±0.20 [.008"]
X	±0.50 [.019"]
.X°	±1°
X°	±2°

THESE DRAWINGS AND SPECIFICATIONS ARE THE PROPERTY OF ANOISON ELECTRONICS LTD AND SHOULD NOT BE USED WITHOUT WRITTEN PERMISSION COPYRIGHT © 2022 ANOISON ELECTRONICS LTD

TITLE	
ADAPTER, 7/16 MALE TO N FEMALE	
VIEW	PART NO.
	ANO 561-512-I224

SIZE	SCALE	SHEET	REV.
A3	2:1	1/1	E