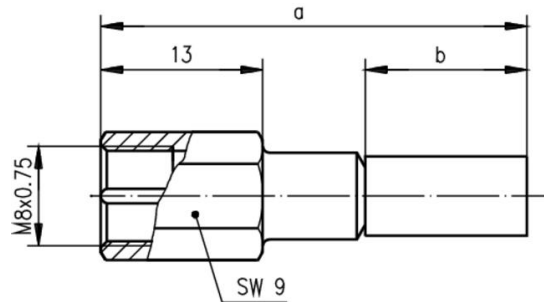


order number: J01700A0009

FME Straight Plug Crimp G30 (1.5/3.8); G54 (1.5/3.8 FLEX) crimp/crimp



Technical Attributes	
Remarks	crimp/crimp
Dimensions	a=34.7, b=13.5
Cable group; cable	G30 (1.5/3.8); LMR 240 S 04172 D WCX240 1.4/3.8 AF 7808A CNT-240 H 155 HPF 240 LMR-240 LOW LOSS 1.4/3.8 MRC 240 AFB SPEEDFOAM 240 HFJ TZC 500 25
Assembly	B1231
Crimp die	N01003A0056

Product description

The FME series is a miniature coax connector with screw coupling. The FME series can be used up to a frequency of 2 GHz. The impedance is controlled at 50 Ω. Connector styles are available for flexible and conformable cables. Solder and crimp techniques are used to terminate this series. Applications for the FME series are in the area of mobile communications, especially in vehicles due to their compact size and durability.

Mechanical Characteristics	
Durability (mating cycles)	≥ 500
Disengagement	≥ 0.5 N
Max. coupling torque	200 Ncm
Material: spring contacts	CuNi1Pb1P(C97)
Material: crimp ferrule	Cu
Material: other metal parts	CuZn39Pb3
Material: insulators	PP
Finish: Inner conductor	Cu2Ag5
Finish: Other metal parts	Cu2Ni5

Climatic Characteristics	
Climatic category acc. to IEC 60068 - 1	55/085/21

Electrical Characteristics	
Contact resistance inner conductor	≤ 10 mΩ
Contact resistance outer conductor	≤ 5 mΩ
Insulation resistance	≥ 5 GΩ
Voltage proof	1 kV _{eff} /50 Hz
Impedance	50 Ω
Working voltage	≤ 100 V _{eff} /50 Hz
Insertion loss	≤ 0.2 dB/1.8 GHz
Return loss	≥ 20 dB/1.8 GHz
Frequency range up to	2 GHz