

20dB Directional Coupler

Product Description

The RFS CDS**DE Directional Coupler series provides an RF broadband solution for indoor and outdoor applications covering all wireless services from 700 to 2700 MHz.

The wide frequency range allows to use these couplers for multiband wireless Distributed Antenna Systems (DAS) or in combination with RADIAFLEX® radiating cable products.

The units couple off a defined fraction of the signal from 6 to 30 dB fulfilling highest RF performance requirements by minimizing reflections or RF loss combined with a compact design. As all passive RF products, the CDS**DE series ensures highest reliability and maintenance free operation.



CDS20DE-700/2700

Features/Benefits

- 20 dB coupling value
- Low insertion Loss
- High power handling
- Small size, Low weight
- 7-16 DIN female connectors

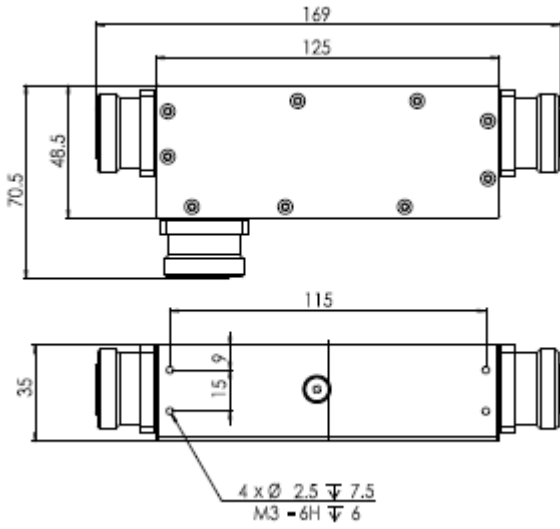
Technical Specifications

Product Type	Directional Coupler
Techn. Application	Indoor/Outdoor
Frequency Range, MHz	700 - 2700
Number of Input Ports	1
Number of Output Ports	2
Connector Type	7-16 female
Impedance, Ohm	50
Insertion Loss max., dB	0.3
Max VSWR / R L, dB	1.25 / 19.1
Intermodulation (IM3)	140 dBc with 2x43 dBm tones
Coupling Value, dB	20
Directivity min., dB	20
Coupling Flatness max., dB	±1.0
Total Input Power, W	500
DC-Path	only through line
Temperature Range, °C (°F)	-25 to 65 (-13 to 149)
Height, mm (in)	35 (1.38)
Width, mm (in)	70.5 (2.78)
Length, mm (in)	169 (6.65)
Weight, kg (lb)	0.621 (1.37)
Environmental Class	IP65

Notes**Other Documentation**



20dB Directional Coupler



Dimensions mm

All information contained in the present datasheet is subject to confirmation at time of ordering