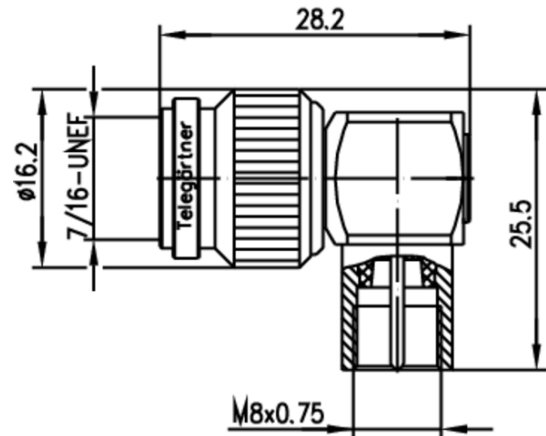


order number: J01019A0012

Angle Adaptor TNC to FME m-m



| Technical Attributes | |
|----------------------|-----------------|
| Type | TNC (m)/FME (m) |
| Max. Frequency | 2 GHz |
| Return Loss | 21dB/1,5GHz |
| Life | min. 500 |
| Z | Ω |
| Series | |
| Finish | |
| Mount. dim. | |