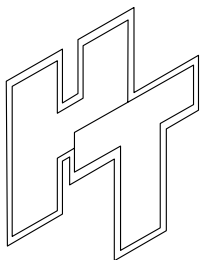
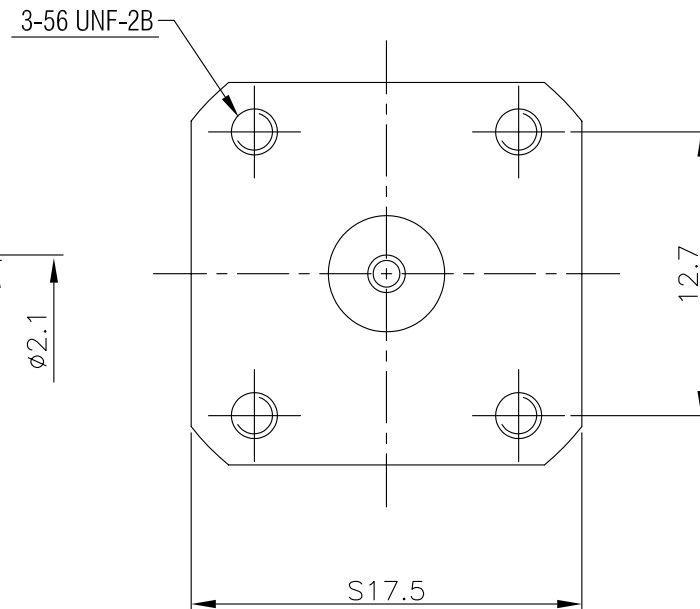
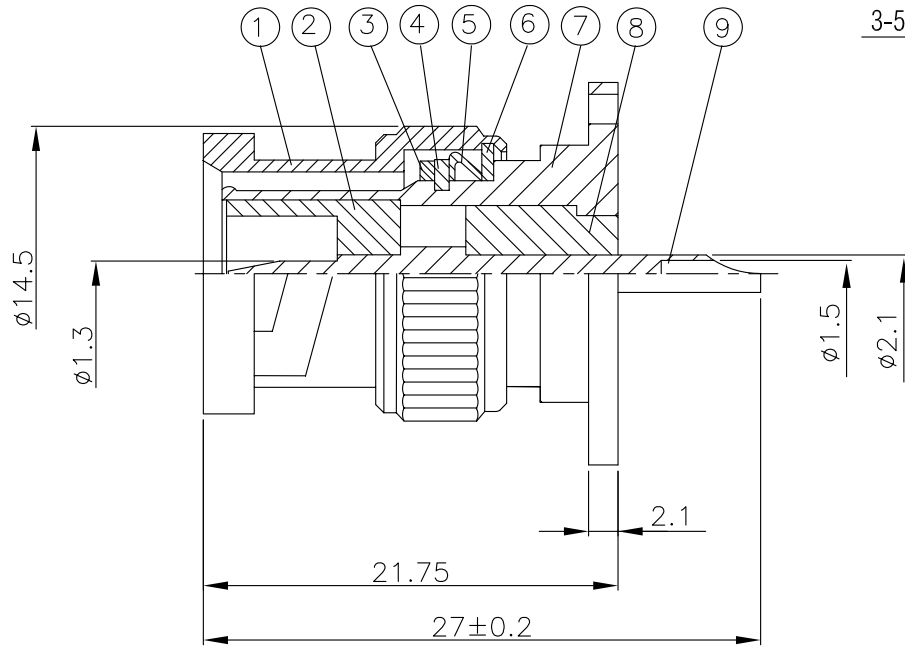
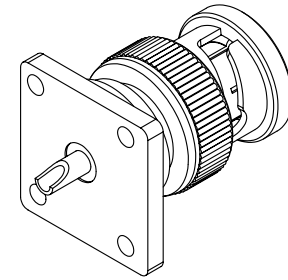


NO	DESCRIPTION	MATERIAL	Q'TY	FINISH
1	SHELL	BRASS	1	NICKEL
2	INSULATION 1	DELRIN	1	DELRIN
3	GASKET	RUBBER	1	RUBBER
4	WASHER	BRASS	1	NICKEL
5	WASHER	BRASS	1	NICKEL
6	WASHER	BRASS	1	NICKEL
7	BODY	BRASS	1	NICKEL
8	INSULATION 2	DELRIN	1	DELRIN
9	PIN	BRASS	1	GOLD



HUS-TSAN GROUP CO., LTD.

P.O. BOX 40-76.TAINAN.TAIWAN,R.O.C.

TITLE BNC MALE PANEL
RECEPTACLE ISOLATED GROUND

PART NO. BNC-33-DGN

DRAWING NO. BNC 33 DGN

DRAWN MARY DATE 96.06.18

CHECKED 蘇志欣 DATE

Q.A. 蘇姿潔 DATE

APPROVAL 徐燦霖 DATE

REVISION DATE

DIMENSIONS ARE IN MILLIMETERS

UNLESS OTHERWISE SPECIFIED
TOLERANCE

0.5-5=±0.2 120-315=±1

5-30=±0.4 315-1000=±1.6

30-120=±0.6 1000-2000=±2.4

SCALE 4:1 SIZE A

REVISION

DESCRIPTION ENGINEER