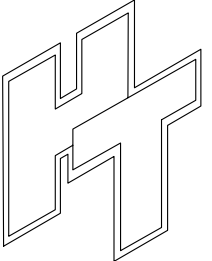
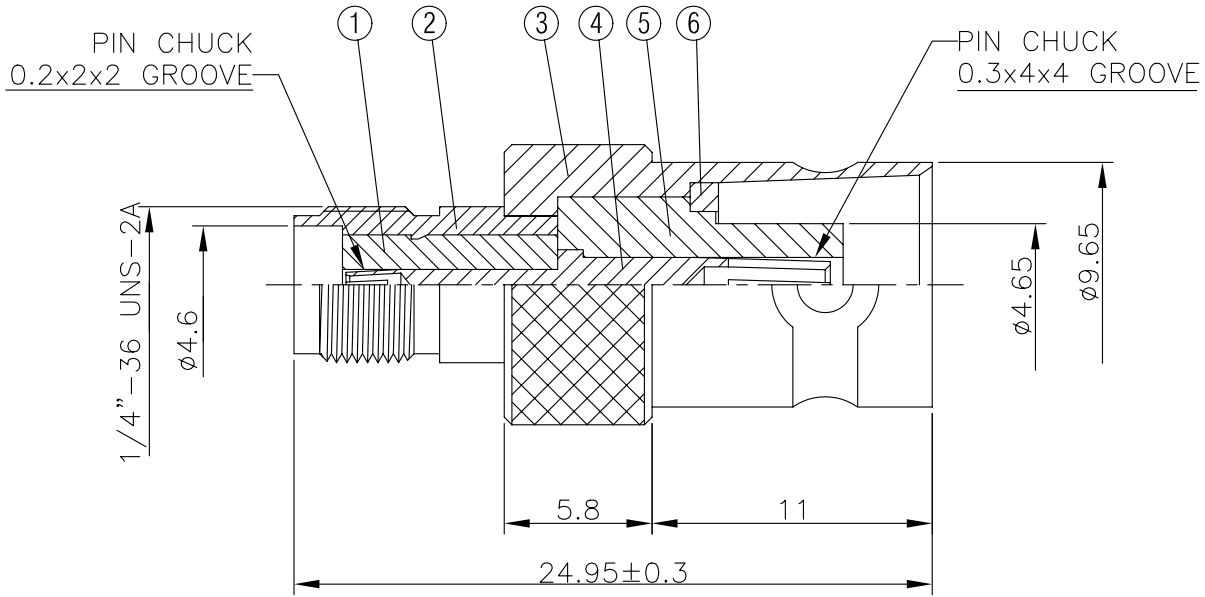
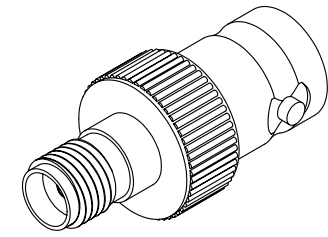


NO	DESCRIPTION	MATERIAL	Q'TY	FINISH	REMARK
1	INSULATION	TEFLON	1	TEFLON	I-0126T
2	BODY 1	BRASS	1	NICKEL	B-SMA0065-N
3	BODY 2	BRASS	1	NICKEL	B-BNC0401-N
4	PIN	PH.BRONZE		GOLD	P-SMA0273-G
5	INSULATION	TEFLON	1	TEFLON	I-0189T
6	WASHER	BRASS	1	NICKEL	W-0007-N



HUS-TSAN GROUP CO., LTD.
P.O.BOX 40-76 TAINAN TAIWAN,R.O.C.
TITLE
SMA FEMALE - BNC FEMALE ADAPTOR
PART NO. SMA-26-TGN
DRAWING NO. SMA 26 TGN

DRAWN MARY **DATE** 96.03.27
CHECKED 蘇姿潔 **DATE**
Q.A. 馮健華 **DATE**
APPROVAL 徐燦霖 **DATE**
REVISION **DATE**

DIMENSIONS ARE IN MILLIMETERS
UNLESS OTHERWISE SPECIFIED
TOLERANCE
0.5-5 = ± 0.2 120-315 = ± 1
5-30 = ± 0.4 315-1000 = ± 1.6
30-120 = ± 0.6 1000-2000 = ± 2.4
SCALE 4:1 **SIZE** A

REVISION	
DESCRIPTION	ENGINEER