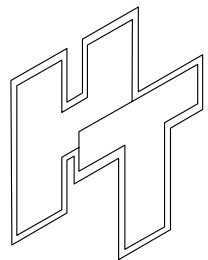
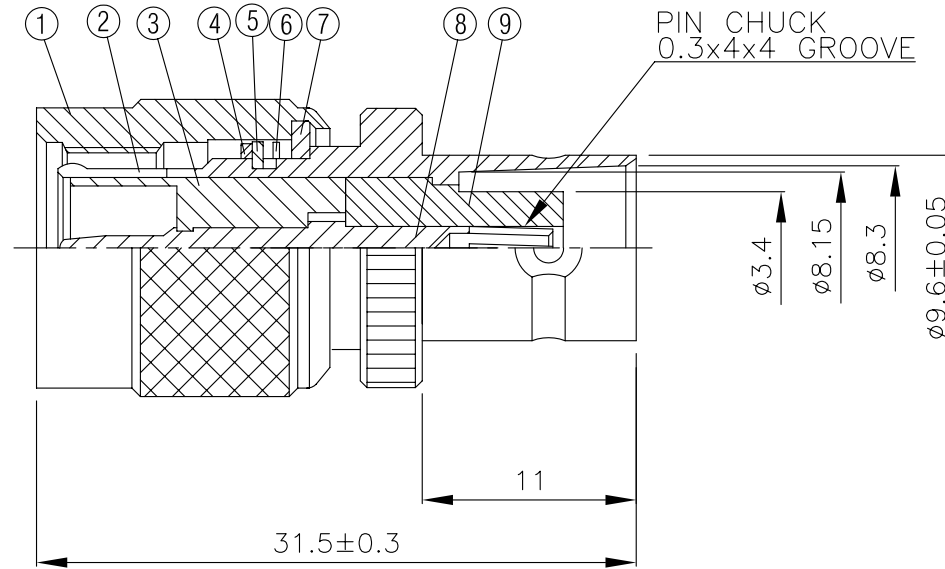
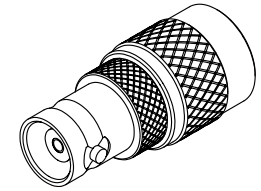


NO	DESCRIPTION	MATERIAL	Q'TY	FINISH
1	BODY 1	DIE-CAST	1	NICKEL
2	BODY 2	BRASS	1	NICKEL
3	INSULATION	DELRIN	1	DELRIN
4	GASKET	SI RUBBER	1	RUBBER
5	WASHER 1	BRASS	1	NICKEL
6	SPRING	BRASS	1	NICKLE
7	WASHER 2	BRASS	1	NICKEL
8	PIN	BRASS	1	GOLD
9	INSULATION	DELRIN	1	DELRIN



HUS-TSAN GROUP CO., LTD.

P.O.BOX 40-76.TAINAN.TAIWAN,R.O.C.

TITLE
TNC MALE -FEMALE ADAPTOR

PART NO.
TNC-15-DGN

DRAWING NO. TNC 15 DGN

DRAWN MARY DATE 92.01.28

CHECKED 黃巧君 DATE 92.01.28

Q.A. 蘇姿潔 DATE

APPROVAL 徐燦霖 DATE

REVISION DATE

DIMENSIONS ARE IN MILLIMETERS

UNLESS OTHERWISE SPECIFIED TOLERANCE

0.5-5=±0.2 120-315=±1

5-30= ±0.4 315-1000=±1.6

30-120±0.6 1000-2000=±2.4

SCALE 4:1 SIZE A

REVISION

DESCRIPTION	ENGINEER

D

D

C

C

B

B

A

A

4

3

2

1