

LB-10125-NF Broadband Horn Antenna 1-12.5GHz 11dB Gain N Type Female

Broadband Horn Antenna Operating From 1GHz to 12.5GHz With a Nominal 11dB Gain With N Type Female Connector

Product Information

SKU	LB-10125-NF
-----	-------------

Description

Broadband horn antenna LB-10125-NF, operating from 1 to 12.5GHz with a nominal 11dB gain and low VSWR 1.5:1 with N Type Female output connector. The model LB-10125-NF has uniform gain through its frequency span, providing efficient performance characteristics and directionality. It can handle 300W continuously and 500W peak power. Constructed of lightweight corrosion-resistant aluminum, the antenna will provide years of trouble-free indoor and outdoor service. This broadband horn antenna is linearly polarized and ideally suited for EMI testing, direction finding, surveillance, antenna gain and pattern measurements and other applications.

Technical Specification

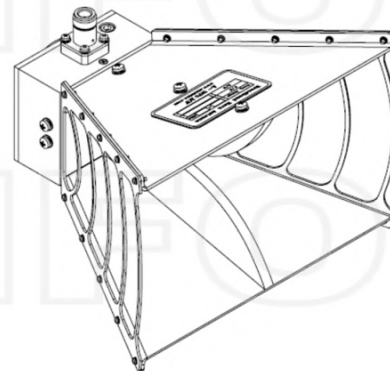
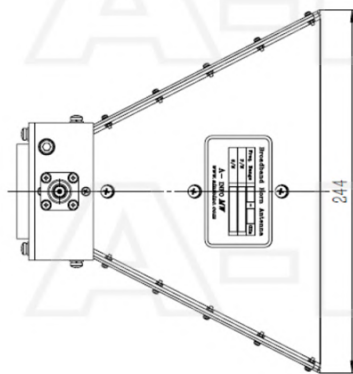
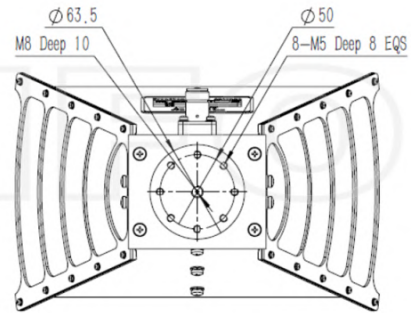
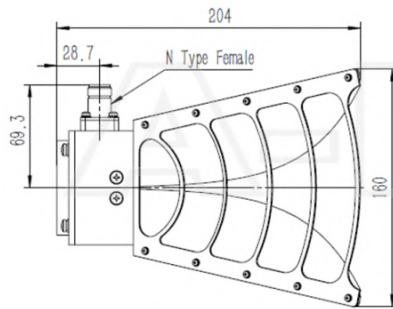
Electrical Specification		Interface	
Frequency, Min (GHz)	1	Output Type	Coaxial
Frequency, Max (GHz)	12.5	Connector	N Type
Gain, Typ (dBi)	11	Connector Gender	Female
Polarization	Linear	Mechanical Specification	
3dB Beamwidth, E-Plane, Min (Deg.)	29	Body Material	Al
3dB Beamwidth, E-Plane, Max (Deg.)	100	Finish	Chemical Conversion Coating and Sand Blasting
3dB Beamwidth, H-Plane, Min (Deg.)	32	Size, W (mm)	244
3dB Beamwidth, H-Plane, Max (Deg.)	85	Size, H (mm)	160
Cross Pol. Isolation, Typ (dB)	25	Size, L (mm)	204
VSWR, Typ	1.5:1	Weight, (kg)	1.45
Impedance, (Ohm)	50		
Power Handling, CW, (W)	300		
Power Handling, Peak, (W)	500		

Additional Information

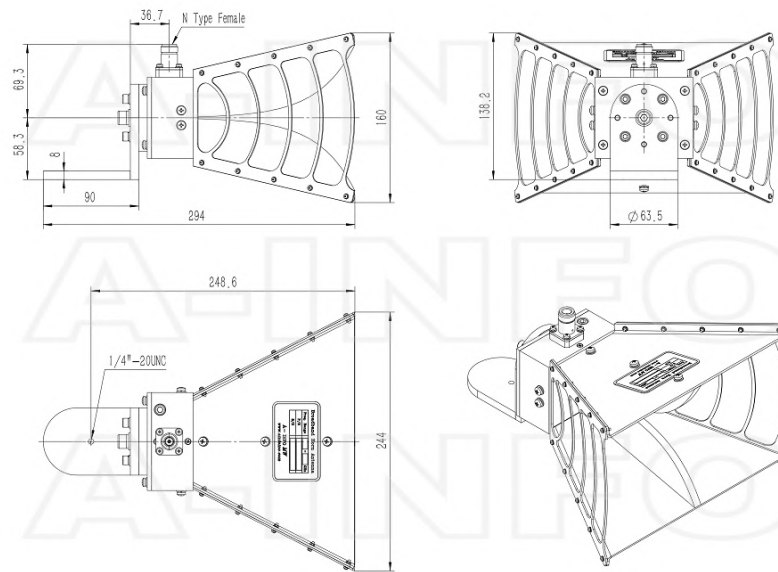
Application	General Purpose Indoor & Outdoor, Fixed	Solution for	Gain Reference Antenna Measurement Reflector Feed Far-field Measurement System Intergration
-------------	---	--------------	---

Outline Drawing

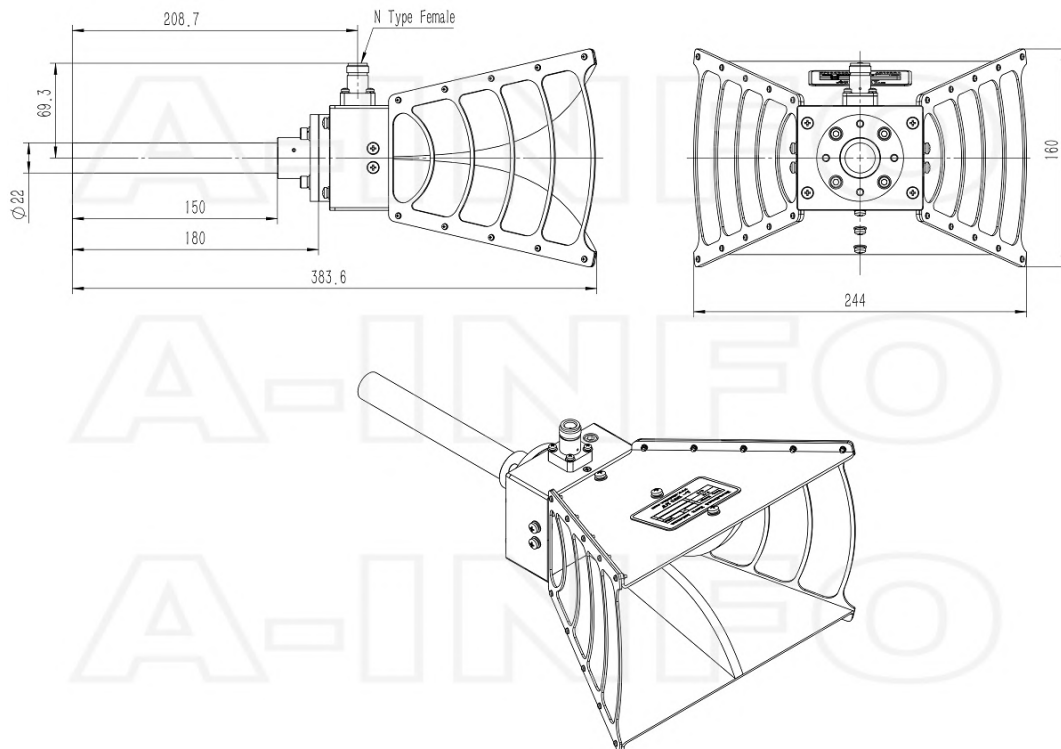
N-Female Output (P/N: LB-10125-NF)



N-Female Output with L Type Mounting Bracket (Option, P/N: LB-10180-L)



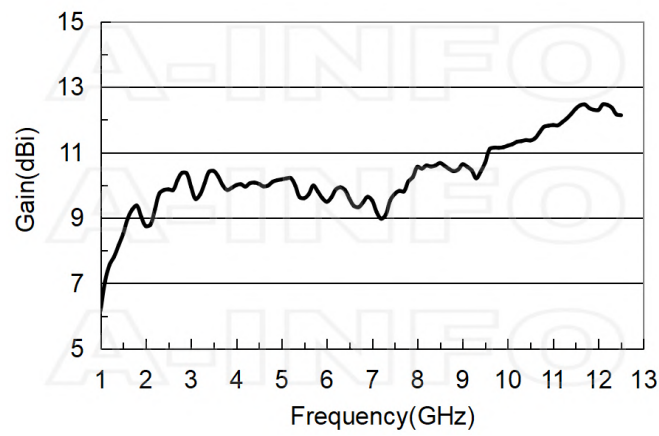
N-Female Output with Round Type Mounting Bracket (Option, P/N: LB-10180-MA)



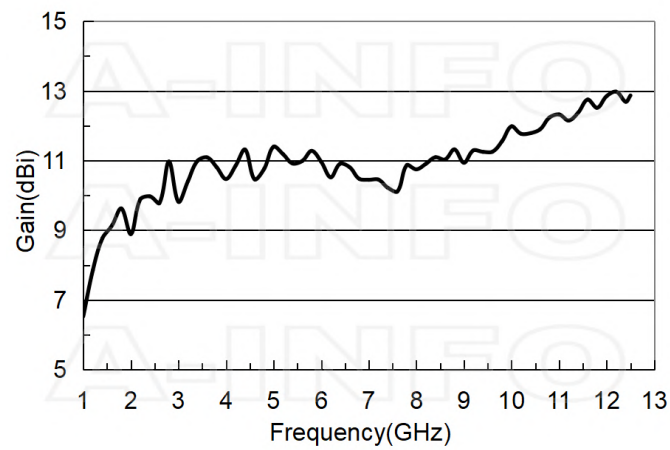
Typical Test Results

Gain

Gain_1m

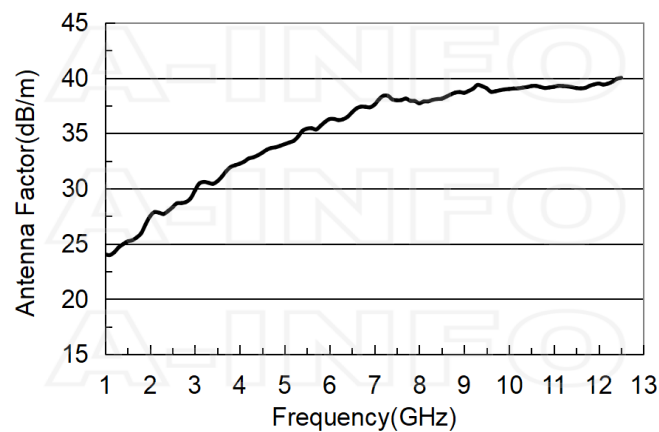


Gain_3m

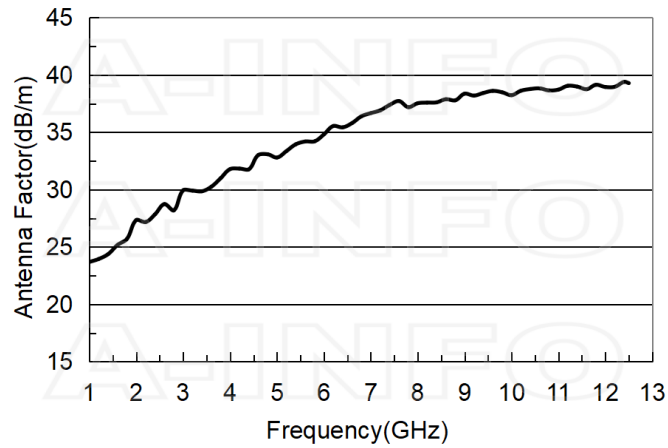


Antenna Factor

Antenna Factor_1m



Antenna Factor_3m



Antenna Factor (Table)

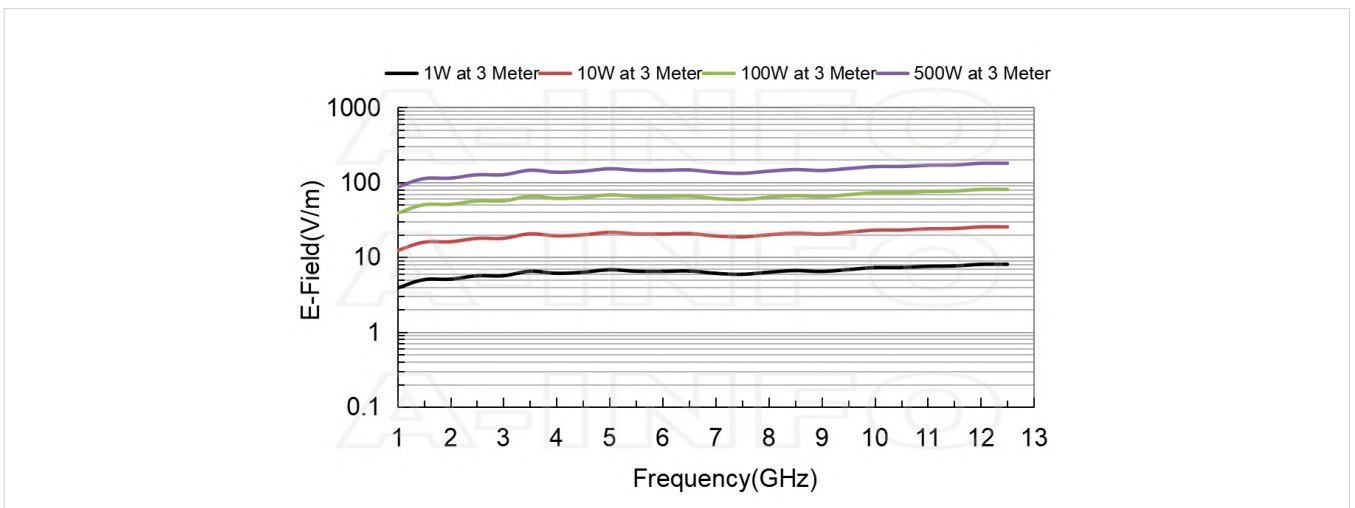
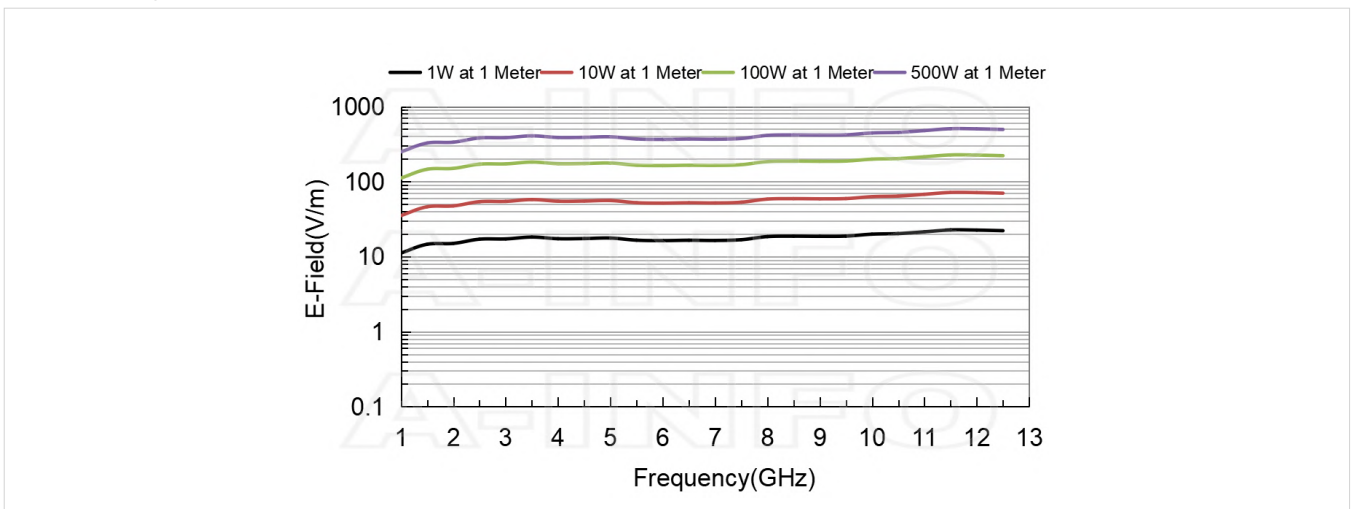
1m

Frequency(GHz)	Gain(dBi)	Antenna Factor(dB/m)
1.0	6.17	24.04
2.0	8.75	27.48
3.0	9.95	29.81
4.0	10.00	32.25
5.0	10.18	34.01
6.0	9.49	36.28
7.0	9.53	37.58
8.0	10.56	37.71
9.0	10.64	38.66
10.0	11.21	39.00
11.0	11.84	39.20
12.0	12.30	39.49
12.5	12.14	40.01

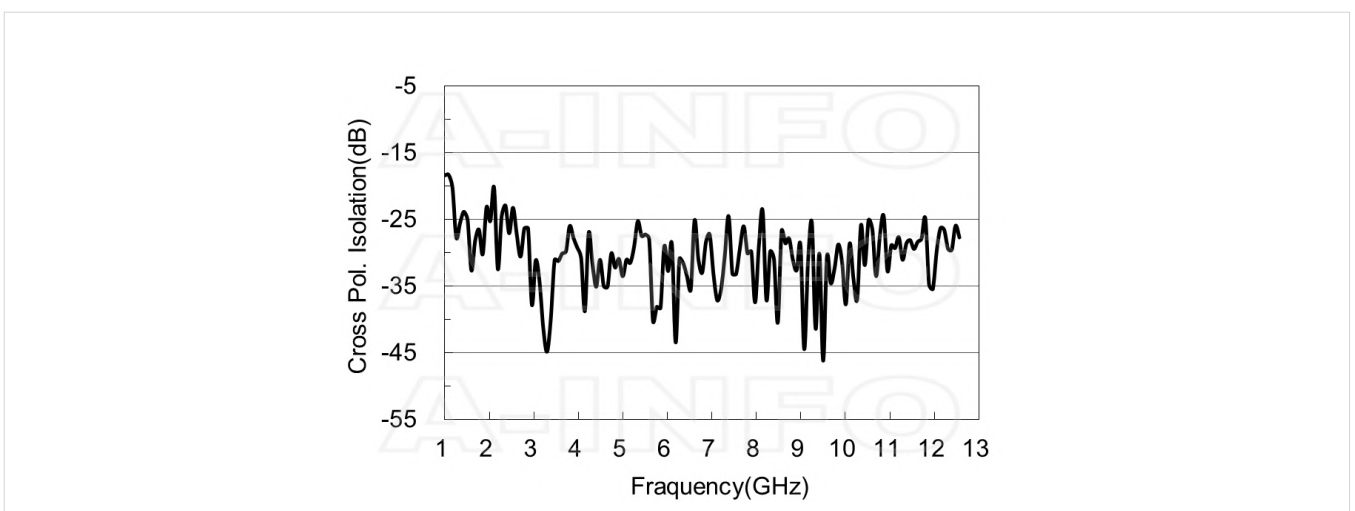
3m

Frequency(GHz)	Gain(dBi)	AF(dB/m)
1.0	6.53	23.68
2.0	8.89	27.34
3.0	9.82	29.94
4.0	10.47	31.78
5.0	11.40	32.79
6.0	10.96	34.81
7.0	10.45	36.66
8.0	10.75	37.52
9.0	10.94	38.36
10.0	11.98	38.23
11.0	12.32	38.71
12.0	12.85	38.94
12.5	12.87	39.28

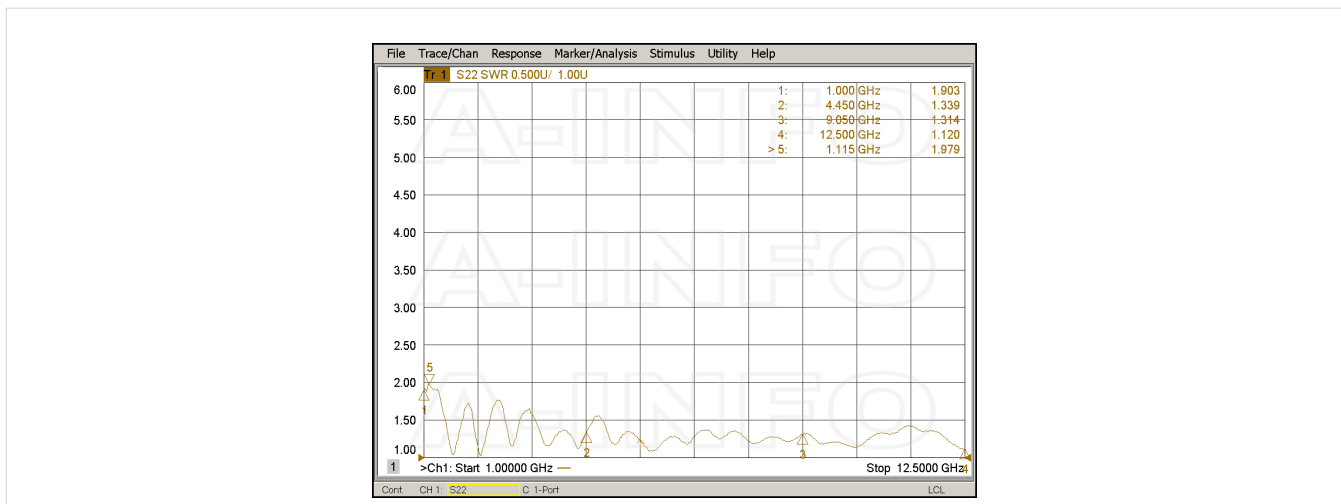
Field Strength



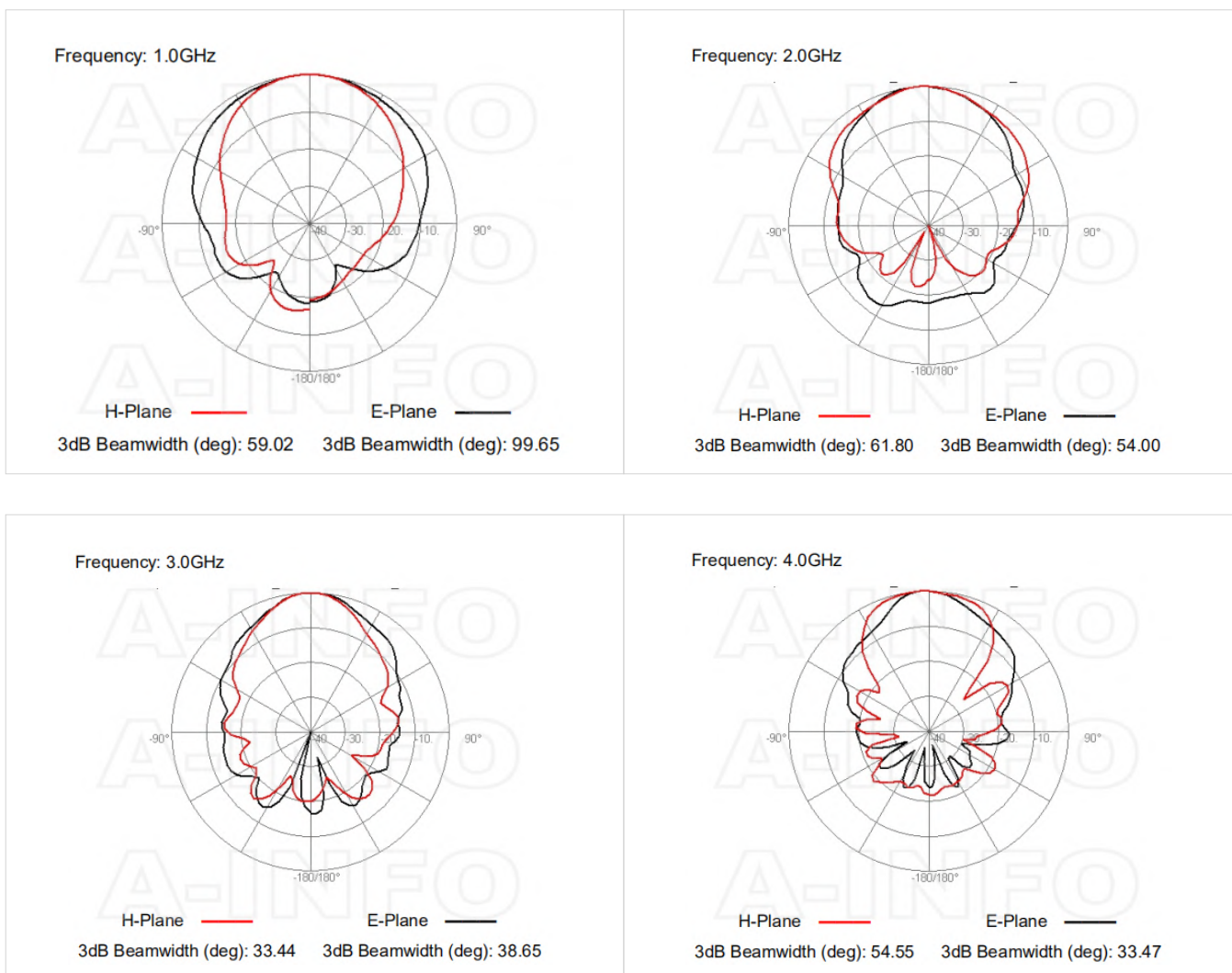
Cross Polarization Isolation



VSWR



Pattern



Frequency: 5.0GHz



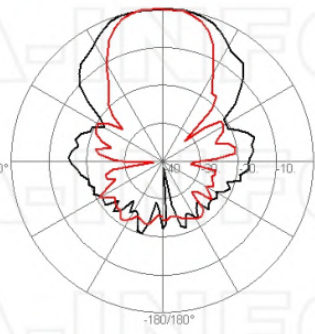
H-Plane — E-Plane —
 3dB Beamwidth (deg): 37.89 3dB Beamwidth (deg): 44.70

Frequency: 6.0GHz



H-Plane — E-Plane —
 3dB Beamwidth (deg): 42.50 3dB Beamwidth (deg): 52.94

Frequency: 7.0GHz



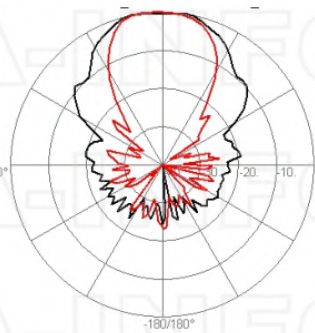
H-Plane — E-Plane —
 3dB Beamwidth (deg): 38.25 3dB Beamwidth (deg): 51.73

Frequency: 8.0GHz



H-Plane — E-Plane —
 3dB Beamwidth (deg): 39.45 3dB Beamwidth (deg): 45.11

Frequency: 9.0GHz

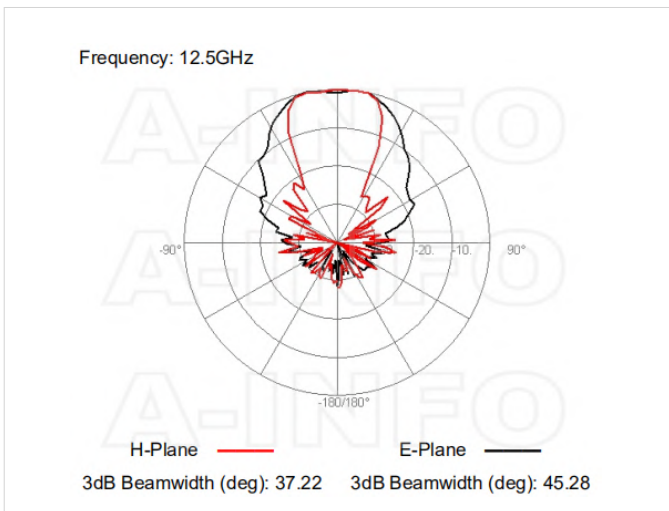
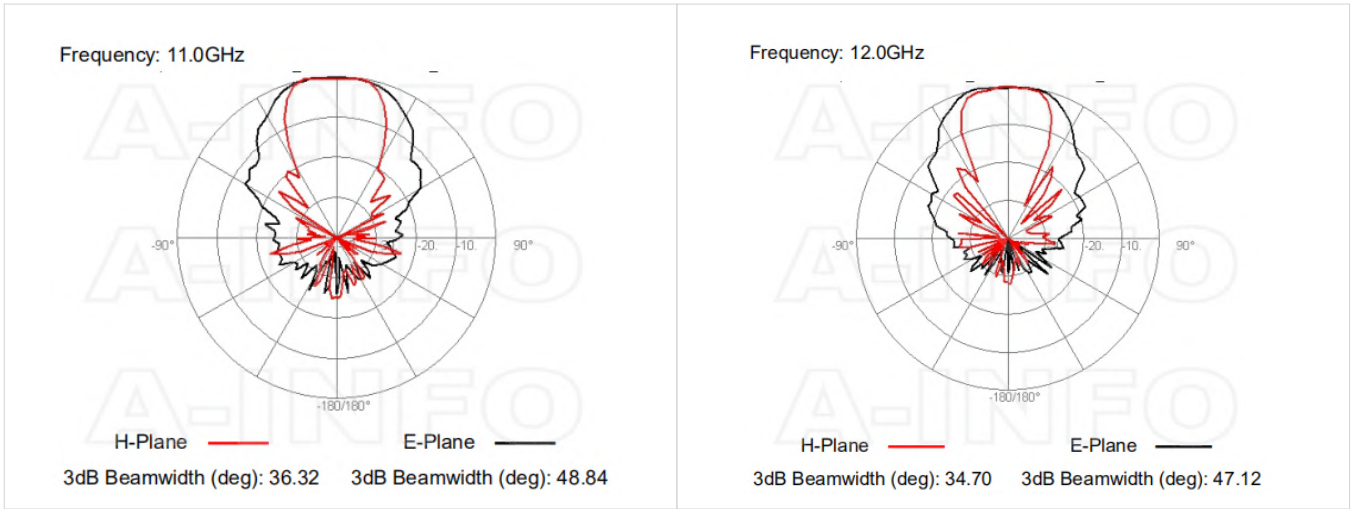


H-Plane — E-Plane —
 3dB Beamwidth (deg): 38.44 3dB Beamwidth (deg): 47.98

Frequency: 10.0GHz



H-Plane — E-Plane —
 3dB Beamwidth (deg): 35.75 3dB Beamwidth (deg): 48.21



Related Products



LB-10180-L L type mounting bracket



LB-10180-MA Stinger Type Mounting Bracket



Tripod_15Kg Al Alloy Tripod



3033HL Wooden Tripod



3033QM Wooden Tripod Metalfree



Carrying Case_LB-10180 Al Alloy Carrying Case



NM-NM-A050-1000 Flexible Cable Assembly 1000mm DC-18GHz N Male to N Male



NM-NM-A050-1500 Flexible Cable Assembly 1500mm DC-18GHz N Male to N Male



NM-NM-A050-2000 Flexible Cable Assembly 2000mm DC-18GHz N Male to N Male



NM-NM-A050-3000 Flexible Cable Assembly 3000mm DC-18GHz N Male to N Male



NM-NM-A050-5000 Flexible Cable Assembly 5000mm DC-18GHz N Male to N Male



NM-NM-A050-10000 Flexible Cable Assembly 10000mm DC-18GHz N Male to N Male



NM-NM-A050-20000 Flexible Cable Assembly 20000mm DC-18GHz N Male to N Male



NM-NM-A100-500 Flexible Cable Assembly 500mm DC-18GHz N Male to N Male



NM-NM-A100-1000 Flexible Cable Assembly 1000mm DC-18GHz N Male to N Male



NM-NM-A100-1500 Flexible Cable Assembly 1500mm DC-18GHz N Male to N Male



NM-NM-A100-2000 Flexible Cable Assembly 2000mm DC-18GHz N Male to N Male



NM-NM-A100-3000 Flexible Cable Assembly 3000mm DC-18GHz N Male to N Male



NM-NM-A100-5000 Flexible Cable Assembly 5000mm DC-18GHz N Male to N Male



NM-NM-A100-10000 Flexible Cable Assembly 10000mm DC-18GHz N Male to N Male



NM-NM-A100-20000 Flexible Cable Assembly 20000mm DC-18GHz N Male to N Male

Similar Products



LB-7180-NF Broadband Horn Antenna 0.7-18.0 GHz 12dB Gain N Type Female



LB-7180-NFSPO Broadband Horn Antenna 0.7-18GHz 12dB Gain N Type Female



LB-7180-SF Broadband Horn Antenna 0.7-18.0 GHz 12dB Gain SMA Female



LB-7180-SFSPO Broadband Horn Antenna 0.7-18GHz 12dB Gain SMA Female



LB-8180-NF Broadband Horn Antenna 0.8-18GHz 12dB Gain N Type Female



LB-8180-NFSPO Broadband Horn Antenna 0.8-18GHz 12dB Gain N Type Female



LB-8180-SF Broadband Horn Antenna 0.8-18GHz 12dB Gain SMA Female



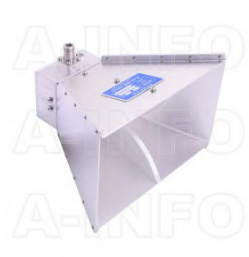
LB-8180-SFSPO Broadband Horn Antenna 0.8-18GHz 12dB Gain SMA Female



LB-10125-NFSPO Broadband Horn Antenna 1-12.5GHz 11dB Gain N Type Female



LB-10125-NFSPS Broadband Horn Antenna 1-12.5GHz 11dB Gain N Type Female



LB-10125-NFP Broadband Horn Antenna 1-12.5GHz 11dB Gain N Type Female



LB-10125-SF Broadband Horn Antenna 1-12.5GHz 11dB Gain SMA Female



LB-10125-SF SPO Broadband Horn Antenna 1-12.5GHz 11dB Gain SMA Female



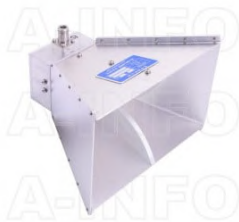
LB-10180-NF Broadband Horn Antenna 1-18GHz 11dB Gain N Type Female



LB-10180-NF SPO Broadband Horn Antenna 1-18GHz 11dB Gain N Type Female



LB-10180-NF SPS Broadband Horn Antenna 1-18GHz 11dB Gain N Type Female



LB-10180-NFP Broadband Horn Antenna 1-18GHz 11dB Gain N Type Female



LB-10180-SF Broadband Horn Antenna 1-18GHz 11dB Gain SMA Female



LB-10180-SF SPO Broadband Horn Antenna 1-18GHz 11dB Gain SMA Female



LB-OSJ-10180-NF Open Boundary Quad-Ridged Dual Polarization Horn Antenna 1-18GHz 10dB Gain N Type Female



LB-OSJ-10180-SF Open Boundary Quad-Ridged Dual Polarization Horn Antenna 1-18GHz 10dB Gain SMA Female

About this Datasheet

<ul style="list-style-type: none"> ● Product Information Product Link: https://www.ainfoinc.com/lb-10125-nf-broadband-horn-antenna-1-12-5-ghz-11db-gain-n-type-female Data subject to change without notice. © A-INFO INC. 2024. All Rights Reserved 	<ul style="list-style-type: none"> ● Contact Us Address: 60 Tesla, Irvine, CA 92618, USA Website: www.ainfoinc.com Email: sales@ainfoinc.com 	<ul style="list-style-type: none"> ● Phone & Fax Phone: +1-949-639-9688 +1-949-639-9608 Fax: +1-949-639-9670
---	--	---