

SENCITY® Road VHF Antenna

K5022211-R

Properties

- Frequency range from 143 MHz to 162 MHz
- Meets EN 50155 standard
- Fire retardant according to EN 45545-2 and ECE-R118 approved
- Broadband and robust design with DC short for lightning protection



Electrical bands	
	Band 1
Name	FM
Frequency (MHz)	143 MHz ... 162 MHz
VSWR	2
Ambient Temperature	50 °C
Composite Power max	100 W

Electrical remarks	
Remarks	Requires mounting on a conductive surface 1.0 x 2.0 m minimum with 3 studs M10 and counterflange. Recommended torque: 14 Nm. Preferred frequency range 146-156 MHz with VSWR <<2. Note: No superstructures in this area.

Ports	
Port name	FM
Connector	N, jack (female)
Polarization	vertical
DC grounded	Yes

Connections	
Port number	
Band 1	✓

SENCITY® Road VHF Antenna

K5022211-R

Mechanical data	
Weight	1.515 kg
Dimensions	225 mm x 252 mm x 126 mm (Height x Width x Depth)
Remarks	Radiator and Base: Aluminum. Radome: Fiberglass, colour: Grey. Studs and all screws and nuts: Stainless steel. Sealing: Neoprene and polyurethane. Note: Don't use detergents that might harm the sealing. DC grounded to protect against lightning. Packaging size (outside): 260 x 260 x 130 mm

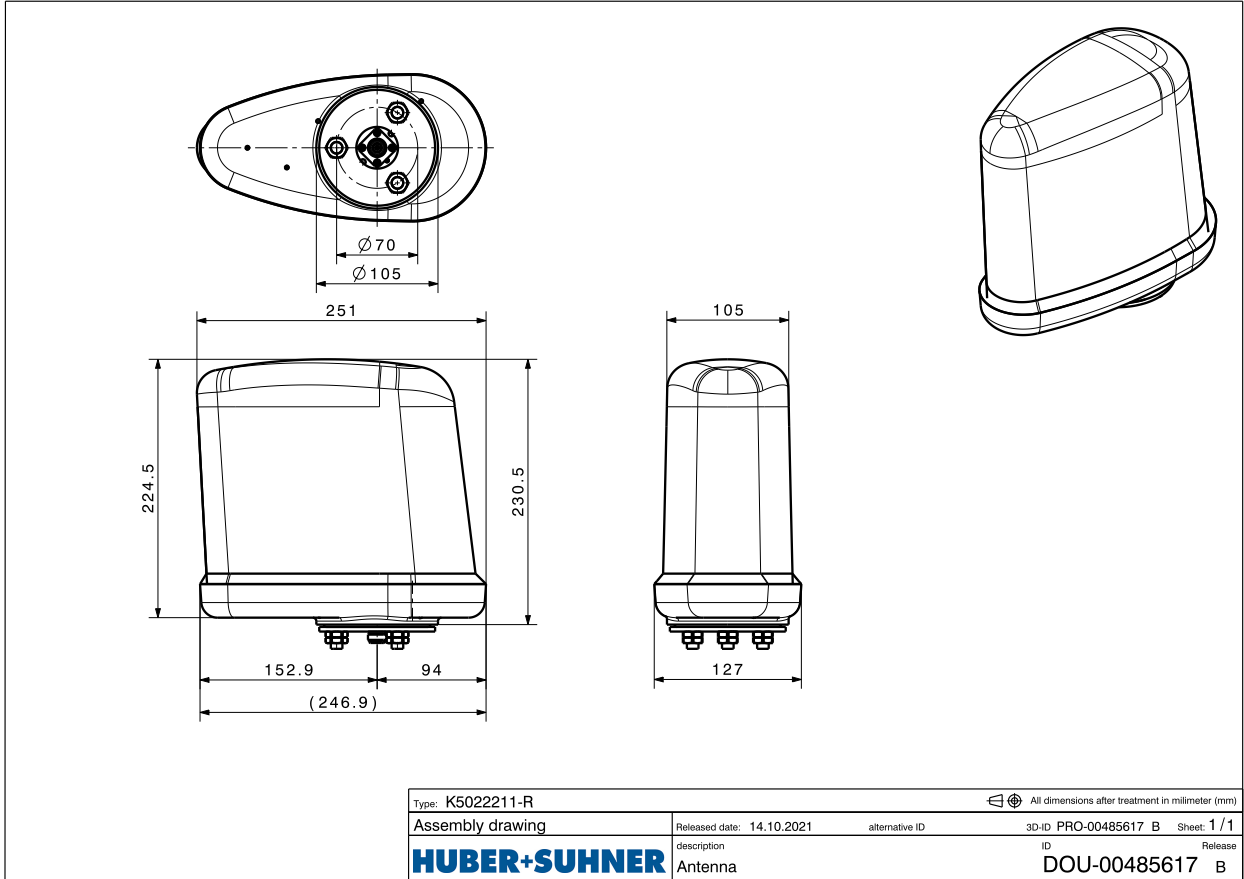
Material data	
Radome colour	Grey
Back plate/base plate material	Aluminium
Back plate/base plate colour	Black
Housing material and surface treatment	Black

Environmental data	
Operation temperature	-40 °C ... 85°C
Storage temperature	-55 °C ... 85°C
Environment (application)	Outdoor
Ingress protection (IP Rating)	IP66
Flammability rating	EN 45545-2

Environmental remarks	
Environmental tests: ISO 50155	

SENCITY® Road VHF Antenna
K5022211-R

Outline drawing



HUBER+SUHNER is certified by ISO 9001, ISO 14001, ISO 45001, IATF 16949, AS/EN 9100 and ISO/TS 22163-IRIS. Waiver: Facts and figures herein are for information only and do not represent any warranty of any kind.
DOCUMENT PIM-P1033 / Date of publication: 31.10.2023 / uncontrolled copy