

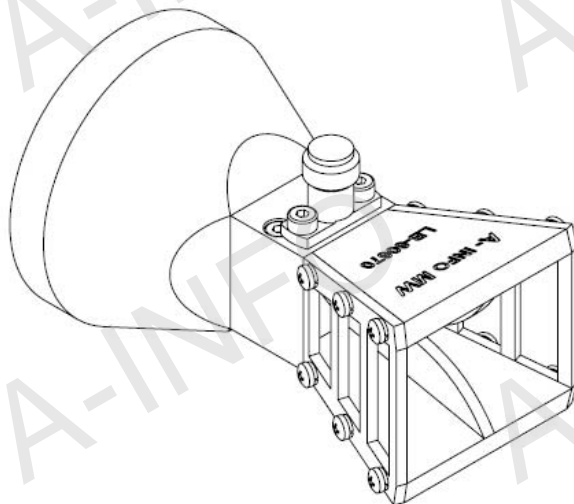
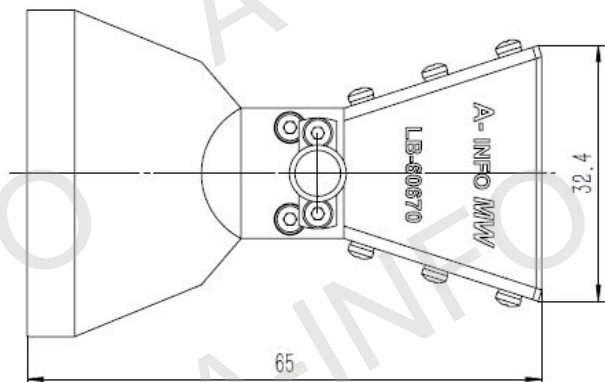
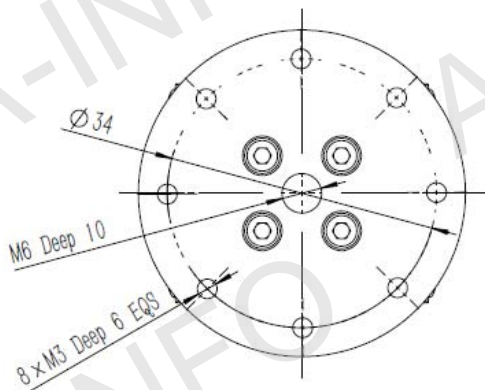
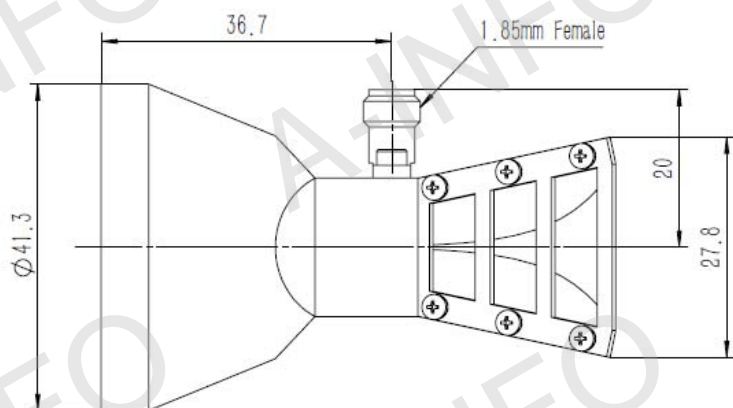
## Technical Specification



Frequency Range(GHz)	6.0 - 67.0
Gain(dBi)	13 Typ.
Polarization	Linear
3dB Beamwidth(deg)	E Plane: 105 - 10
	H Plane: 86 - 9
Cross Pol. Isolation(dB)	30 Typ.
VSWR	1.5:1 Typ.
	2.5:1 Max.
Connector	1.85mm-Female
Power Handling(W)	5 Max. CW
Material	Al
Size(mm)	41.3 x 41.3 x 65
Net Weight(Kg)	0.1 Around

## Outline Drawing (Size: mm)

1.85mm-Female Output



AINFO Inc.

Page 1 of 16

China(Beijing):  
China(Chengdu):  
USA :

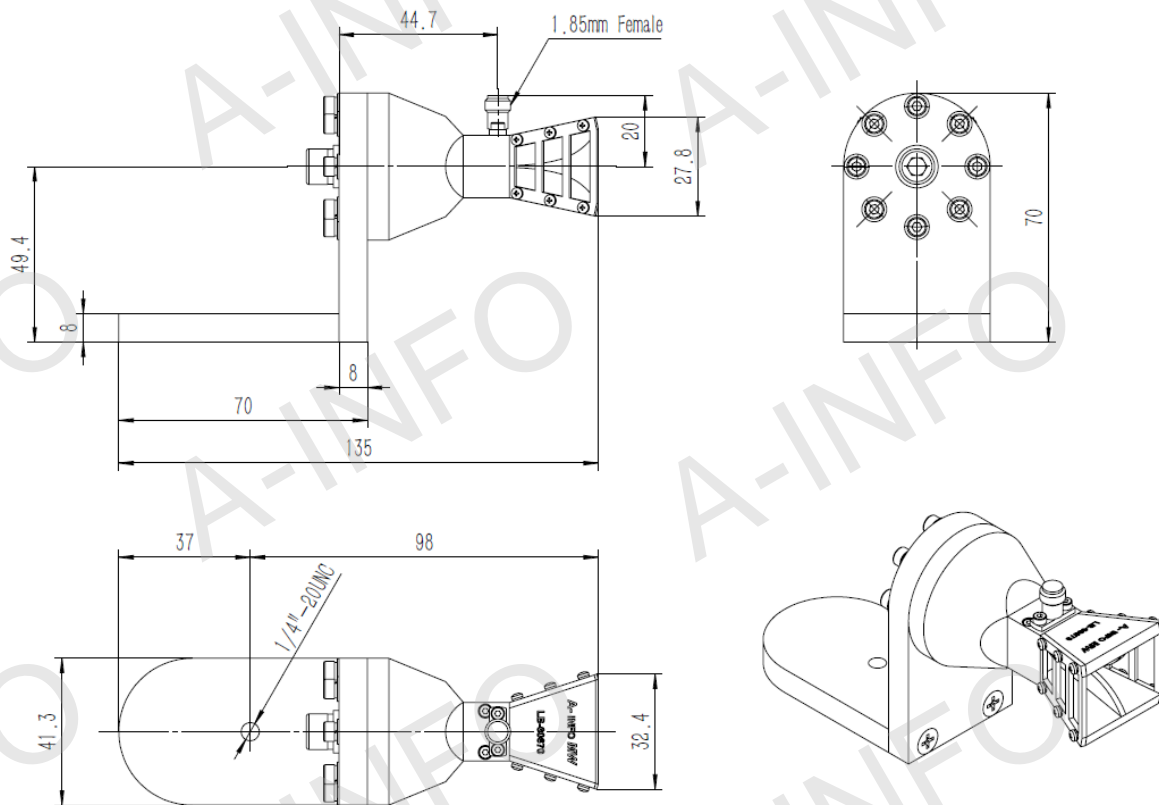
Tel: (+86) 10-6266-7326,  
Tel: (+86) 28-8519-2786,  
Tel: (+1) 949-639-9688,

(+86) 10-6266-7327  
(+86) 28-8519-3044  
(+1) 949-639-9608

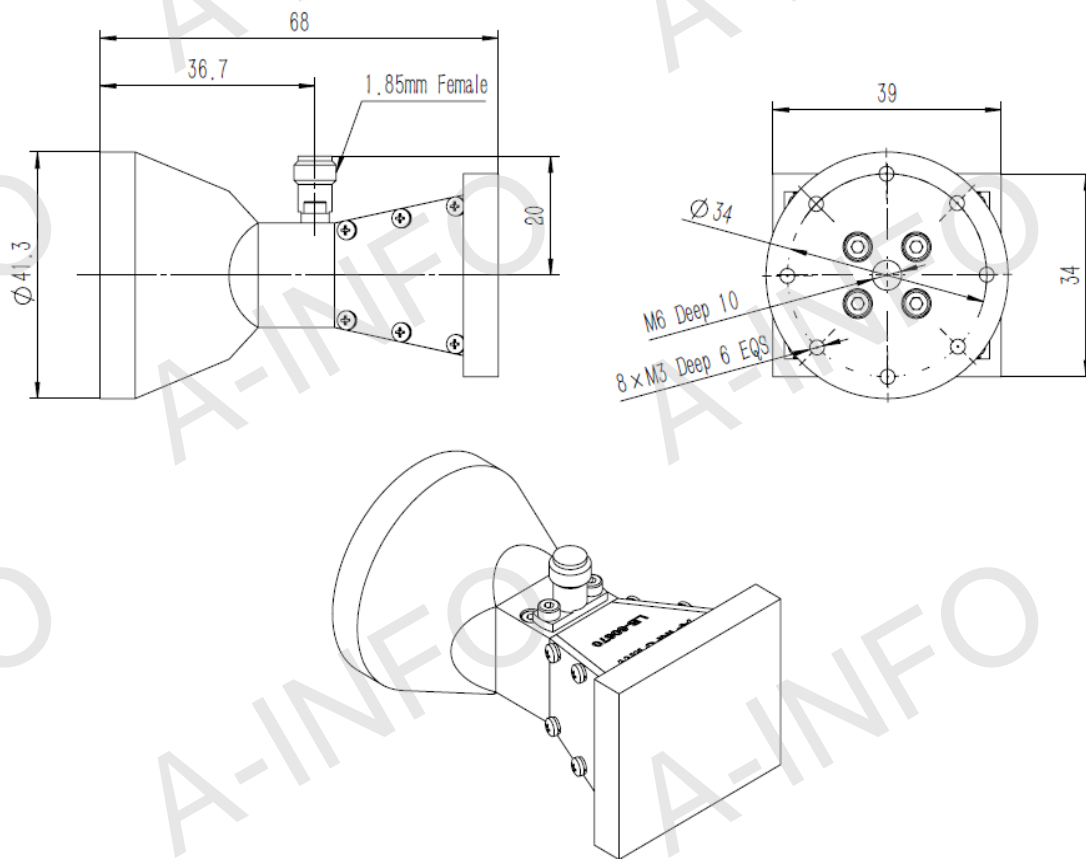
Fax: (+86) 10-6266-7379  
Fax: (+86) 28-8519-3068  
Fax: (+1) 949-639-9670

Website: [www.ainfoinc.com](http://www.ainfoinc.com)  
Email: [sales@ainfoinc.com](mailto:sales@ainfoinc.com)

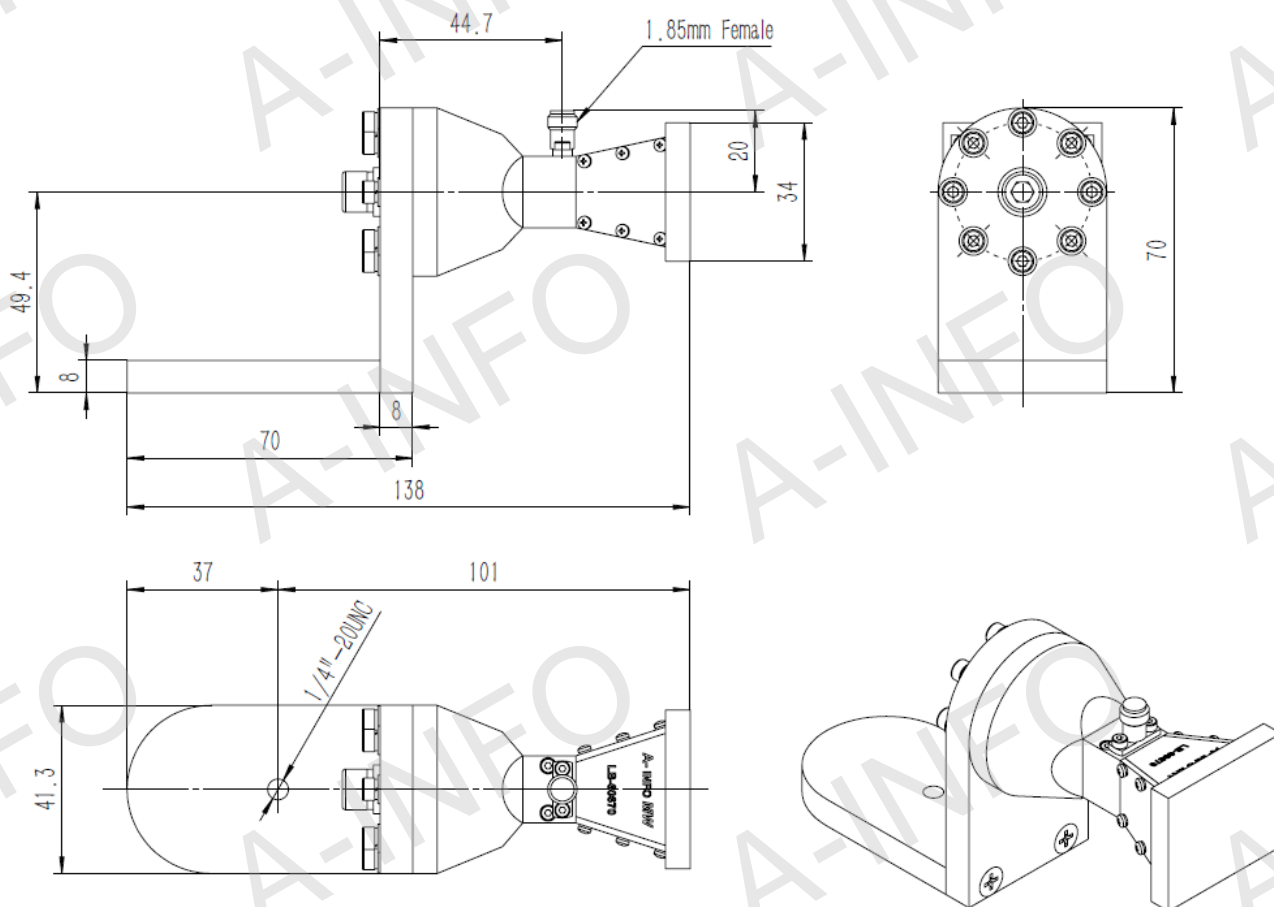
## 1.85mm-Female Output with L type Mounting Bracket



## 1.85mm Female Output with Radome

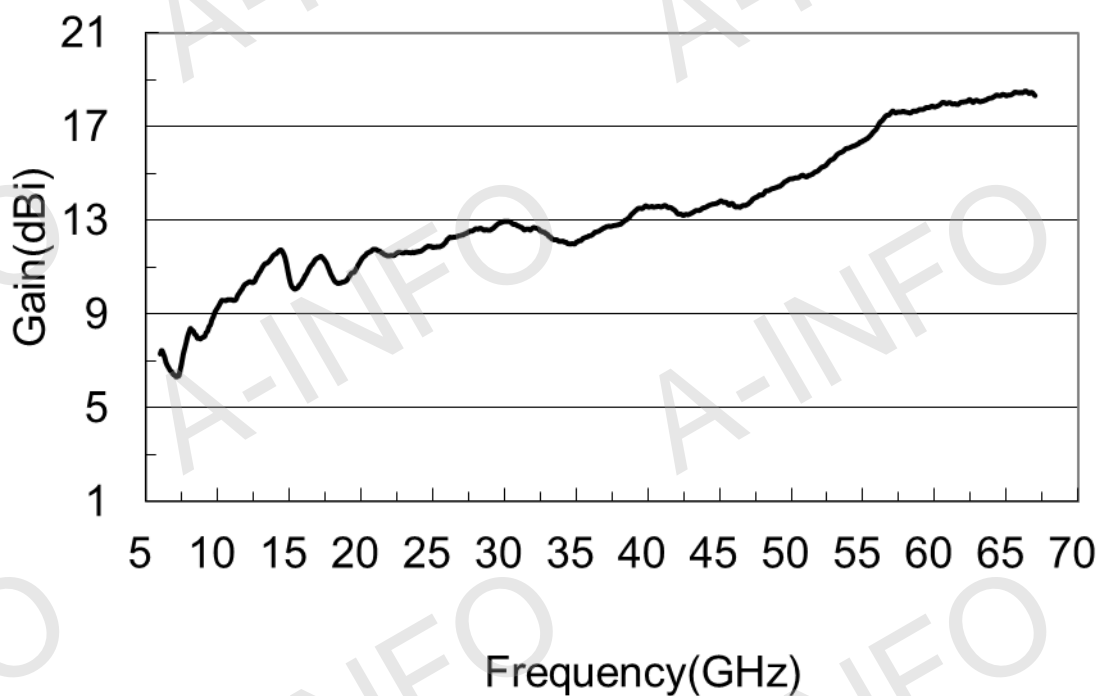


## 1.85mm Female Output with L type Mounting Bracket and Radome

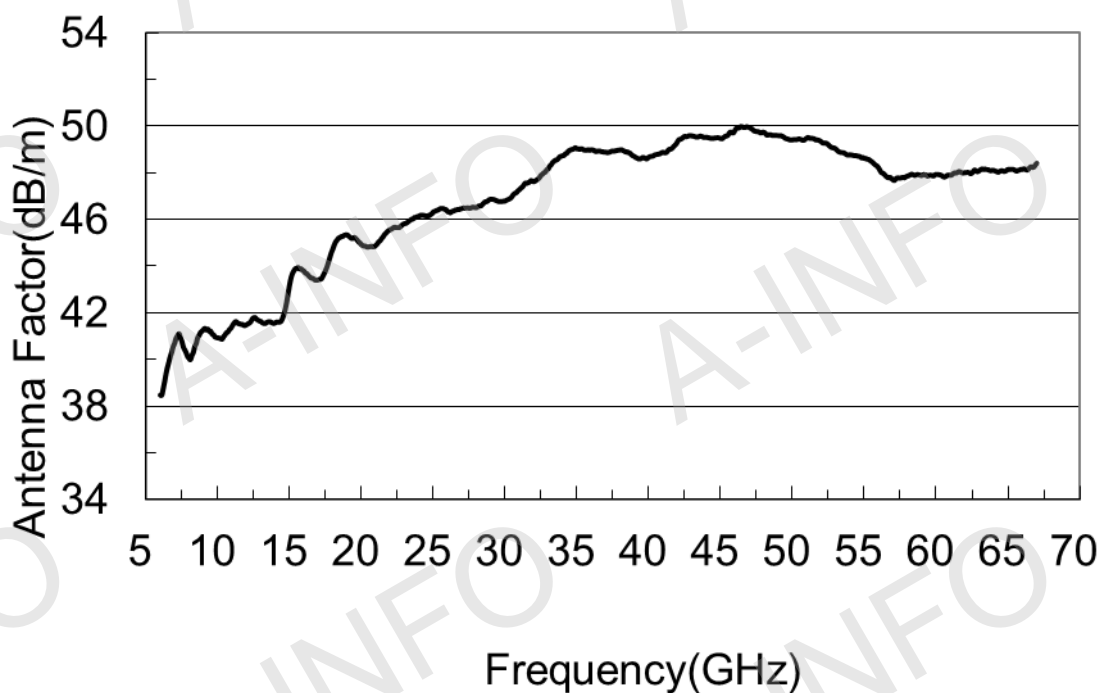


## Test Results

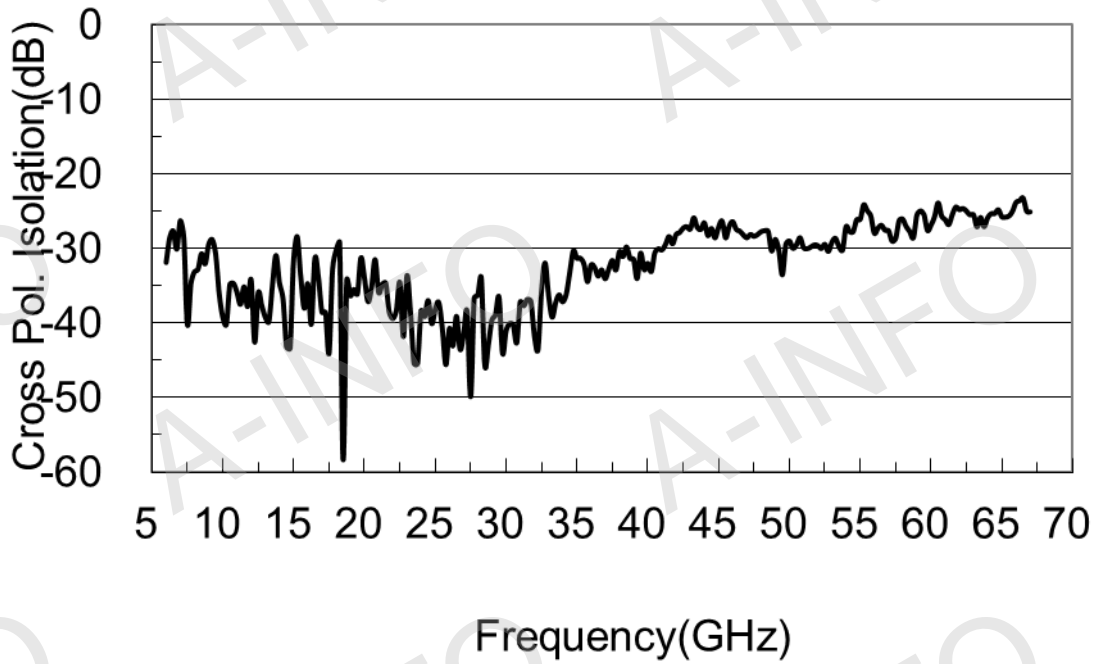
### 1. Gain



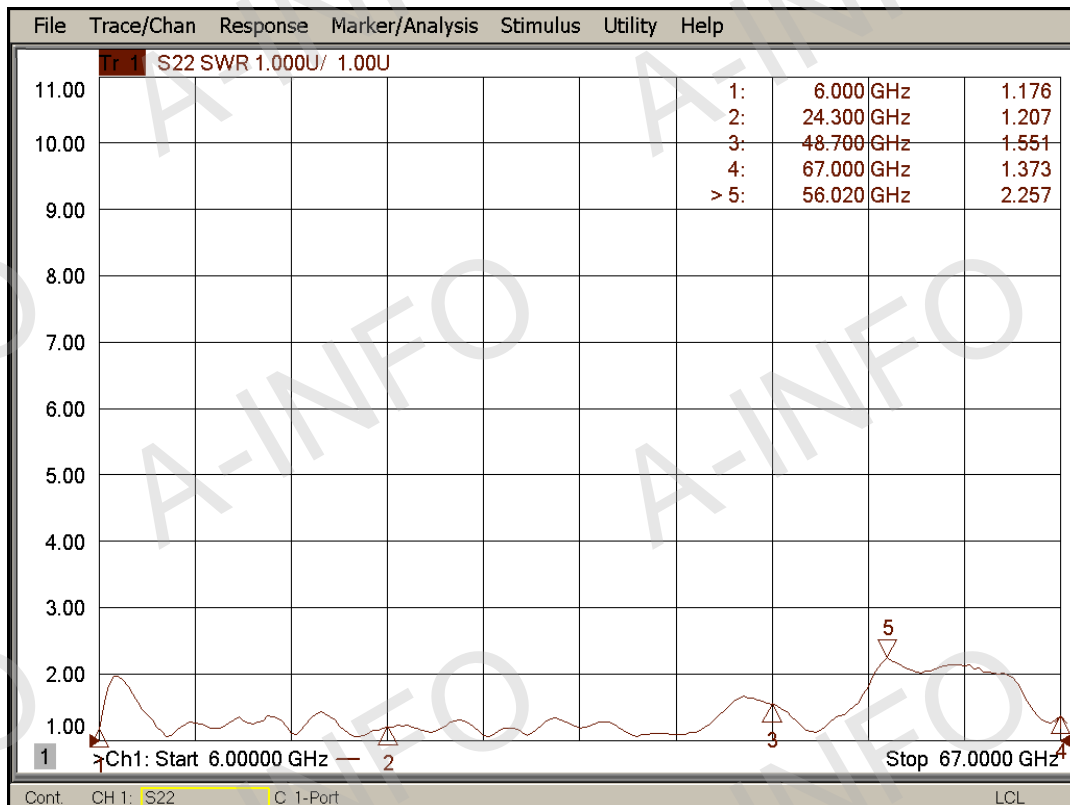
### 2. Antenna Factor



### 3. Cross Polarization Isolation



### 4. VSWR



## 5. Pattern

