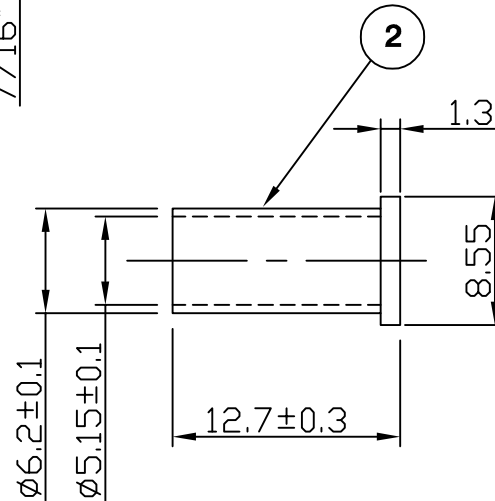
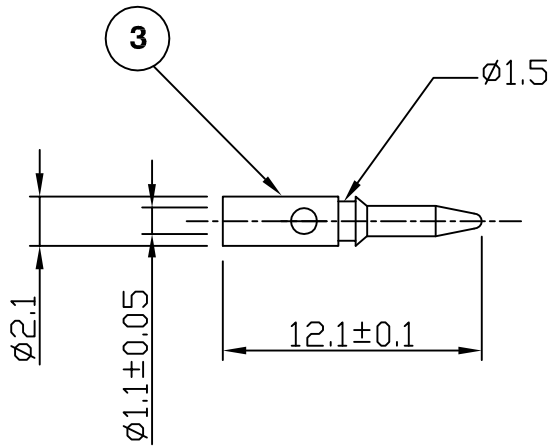
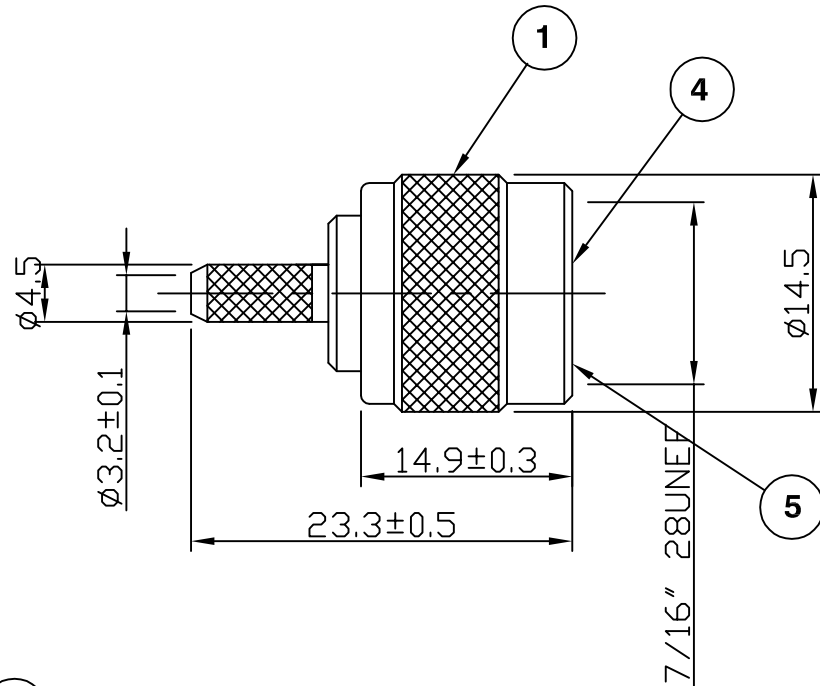


RoHS COMPLIANT



**Electrical Characteristics**

Nominal Impedance:	50 ohms
Frequency Range:	DC to 11 GHz
VSWR:	1.35:1 maximum
Insertion Loss:	0.2 dB at 3 GHz
Operating Voltage (rms):	500 V maximum at sea level
Dielectric Withstand Voltage (rms):	1500 V maximum at sea level
Contact Resistance:	1.5 milliohms maximum
Insulation Resistance:	5000 megohms minimum

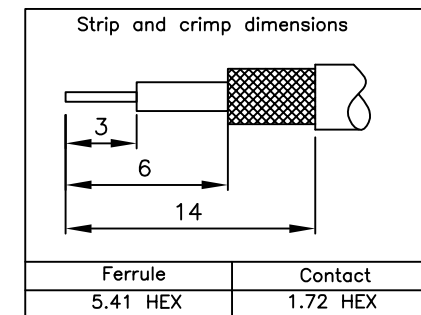
**Mechanical Characteristics**

Mating Cycles:	500 cycles minimum
Interface Dimensions:	Conform to MIL-C-39012

**Environmental Characteristics**

Temperature Range:	-55 °C to +85 °C
--------------------	------------------

PART	DESCRIPTION
1	Body Brass, nickel plated
2	Ferrule Brass, nickel plated
3	Contact Brass, gold plated
4	Dielectric POM
5	Gasket Rubber



Altered Measurements	KA	4	28 Mar 08
Altered Measurements & changed Ferrull	KA	3	12 Oct 07
CAD Issue	SN	2	29 Jan 02
First Issue	AT	1	21 Jan 98
DESCRIPTION OF REVISION	APPVD	ISS	DATE

For stripping and assembly instructions see Drawing Number: VAIT1101

**Connectivity Solutions**  
7-13 Russel Way,  
Widford Industrial Estate,  
Chelmsford,  
Essex, CM1 3AA, UK  
Tel: +44 (0) 1245 359515  
Fax: +44 (0) 1245 358938

SCALE: Not To Scale	DRAWN BY: S Nash	TITLE: <b>TNC Crimp Plug for RG58</b>	PART NUMBER: <b>VT10-2051</b>
DIMENSIONS: mm	CHECKED BY: S Nash		
TOLERANCES: ± 0.2mm unless otherwise stated	APPROVED BY: P Couzens		
	DATE: 29 Jan 02		

PAGE: 1 of 1
--------------