

MATERIAL & FINISH:

- 1 BODY: BRASS, ALBALOY PLATED
- 2 CENTER CONTACT: PHOSPHOR BRONZE, SILVER PLATED
- 3 INSULATOR: PTFE

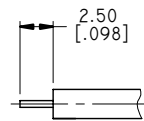
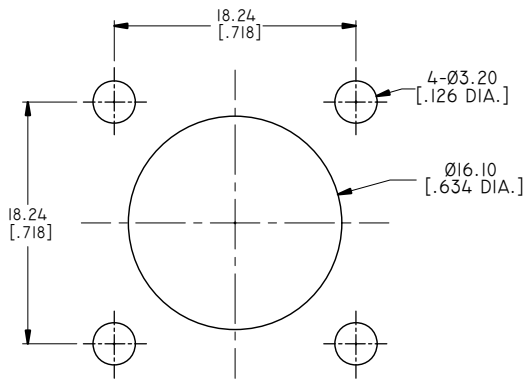
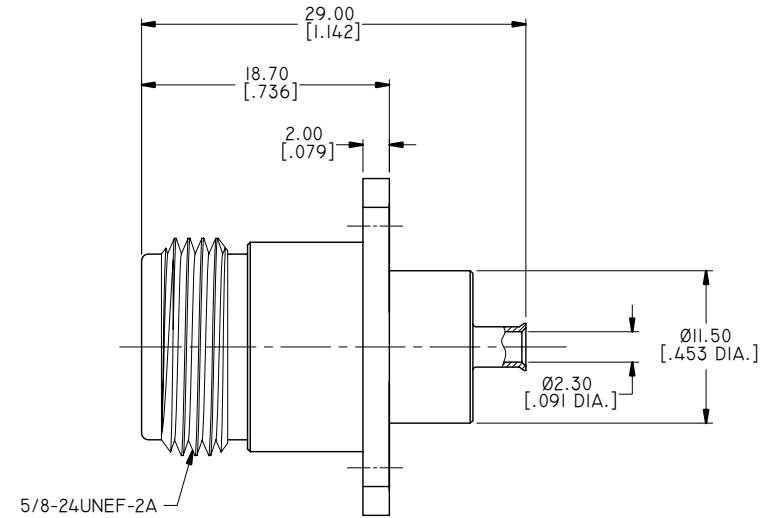
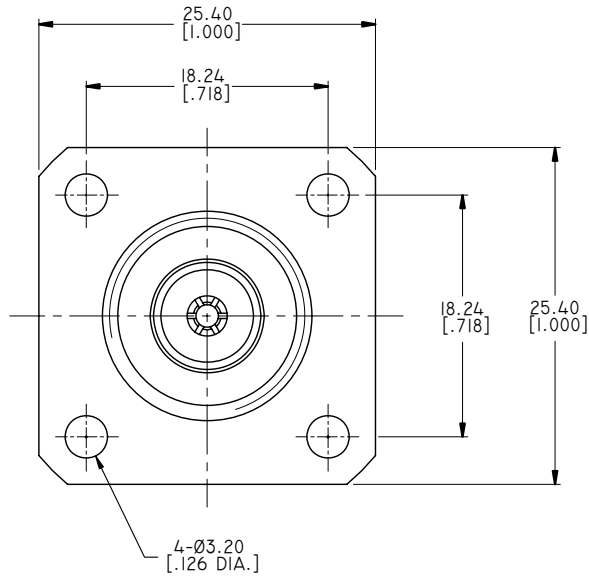
ELECTRICAL DATA:

- 1 IMPEDANCE: 50 Ω
- 2 FREQUENCY RANGE: DC~11 GHZ

ENVIRONMENTAL DATA:

- 1 TEMPERATURE RANGE: -55°C~+165°C
- 2 2011/65/EU (RoHS): COMPLIANT

REVISIONS			
REV.	DESCRIPTION	DATE	APPROVED
A	INITIAL RELEASE	05/12/14	J. QU
B	DRAWING FORMAT CHANGED	08/25/17	J. QU



RECOMMENDED MOUNTING HOLE

CABLE STRIPPING DIMENSIONS

DRAWN	X. B. YANG	DATE	08/25/17
CHECKED	P. CHEN	DATE	08/25/17
APPROVED	J. QU	DATE	08/25/17
UNLESS OTHERWISE SPECIFIED DIMENSIONS ARE IN MILLIMETERS. DIMENSIONS IN [] ARE IN INCHES FOR CUSTOMER REFERENCE ONLY UNLESS OTHERWISE SPECIFIED TOLERANCE ARE:		THESE DRAWINGS AND SPECIFICATIONS ARE THE PROPERTY OF ANOISON ELECTRONICS LTD AND SHOULD NOT BE USED WITHOUT WRITTEN PERMISSION COPYRIGHT © 2017 ANOISON ELECTRONICS LTD	
.XX	±0.13 [.005"]		
.X	±0.20 [.008"]		
X	±0.50 [.019"]		
.X°	±1°		
X°	±2°		



TITLE
N STRAIGHT FEMALE, 4 HOLE I SQ FLANGE MOUNT
SOLDER FOR .086 CABLE

VIEW	PART NO. ANO 5112-3189			
	SIZE	SCALE	SHEET	REV.
	A3	2.5:1	I/1	B