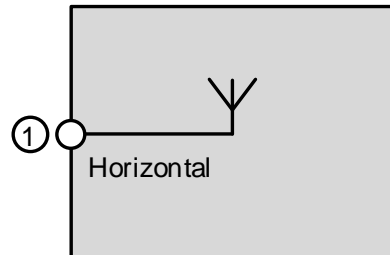


### Thin H-Pol Omni Chip antenna, 617MHz-6000MHz



not binding



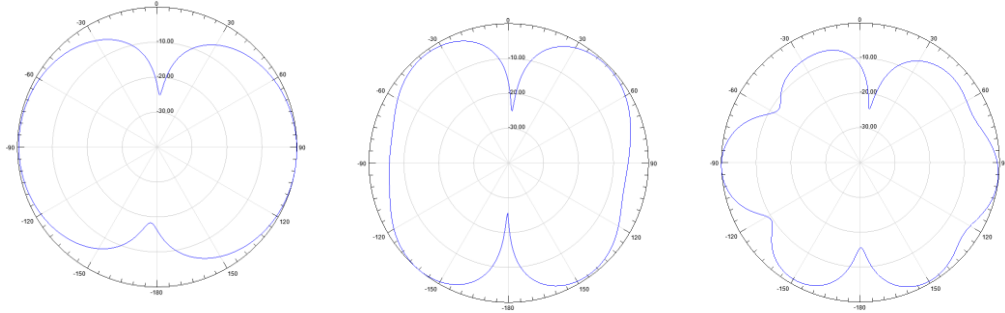
block diagram

Part number		BN A77146					
Connector		4.3-10 female (50 Ω)					
Frequency range, [MHz]		617-806	806-960	1350-1550	1690-2700	3300-3800	4900-6000
Gain, [dBi]		1.5±0.5	2.2±0.5	3.5±0.5	4.5±1.0	6.0±1.0	6.0±1.0
Polarization		Horizontal					
Beam width	Horizontal, [deg]	360					
	Vertical, [deg]	70-230	55-150			45-105	
VSWR		≤1.8					
Intermodulation (IM3) @ 2x 20 W, [dBc]		≤ -153					
Input power, [W]		max. 50					
Degree of protection		Indoor / IP54					
Weight, [kg]		0.3					
Radome Material and Color		ABS, White, RAL9003					
Temperature range, [°C]		-55 – +60					
Dimensions, [mm]		Ø220 x 18					
Operational Humidity		<95%					
RoHS		Compliant					
Flammability rating		UL 94-V0					
Mounting Kit		Ceiling <sup>1)</sup> , via hole(standard)					

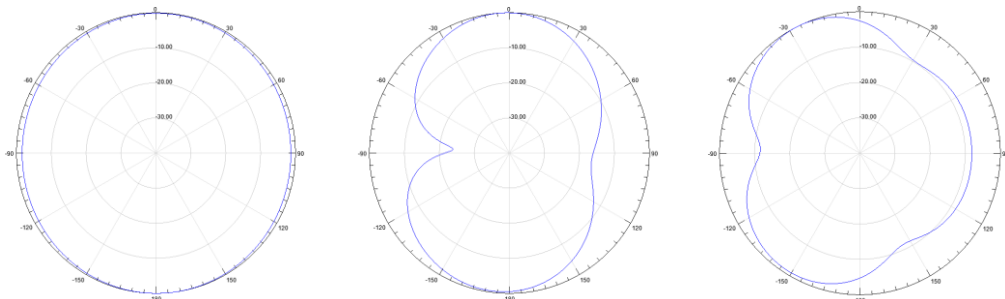
<sup>1)</sup> The installation of Thin Chip antennas is not recommended for metal ceilings.

**Radiation pattern:**

**Horizontal pattern**



**Vertical pattern**

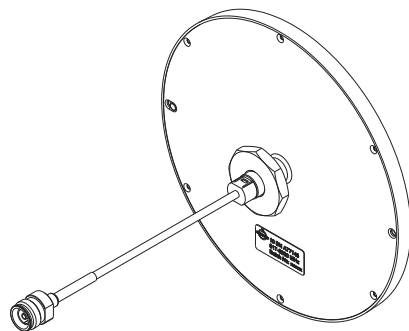
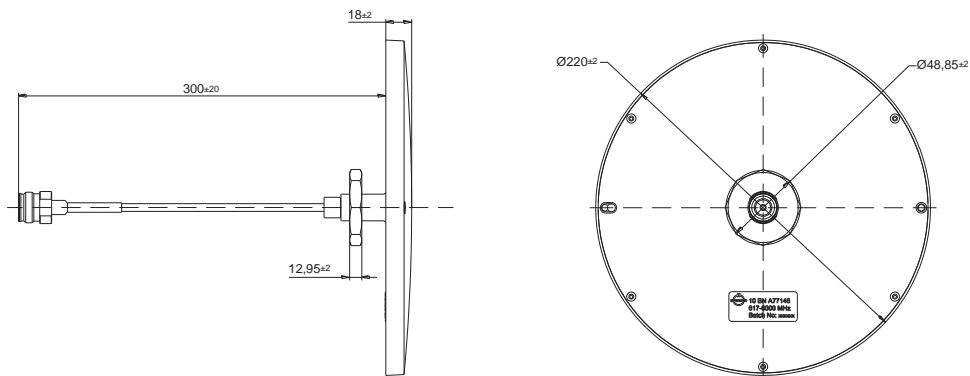


900MHz

1710MHz

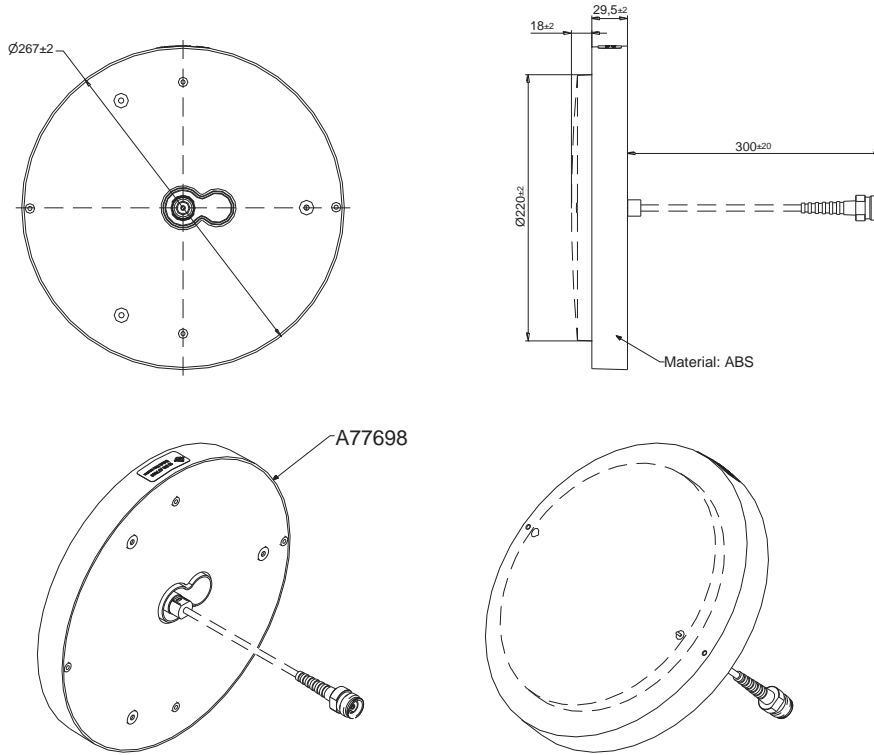
2500MHz

**Dimensions and mounting:**



**Standard:**  
4.3-10 female (50 ohms): IEC 61169-54

**Absorbing/Mounting accessory BN A77698 (optional)**



Subject to change without notice