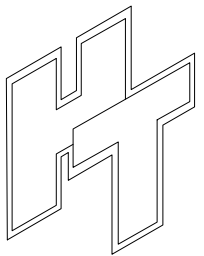
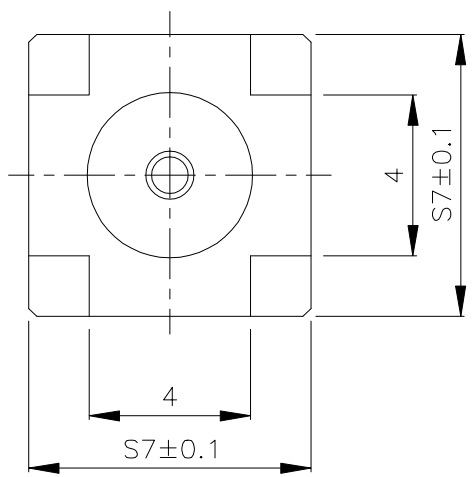
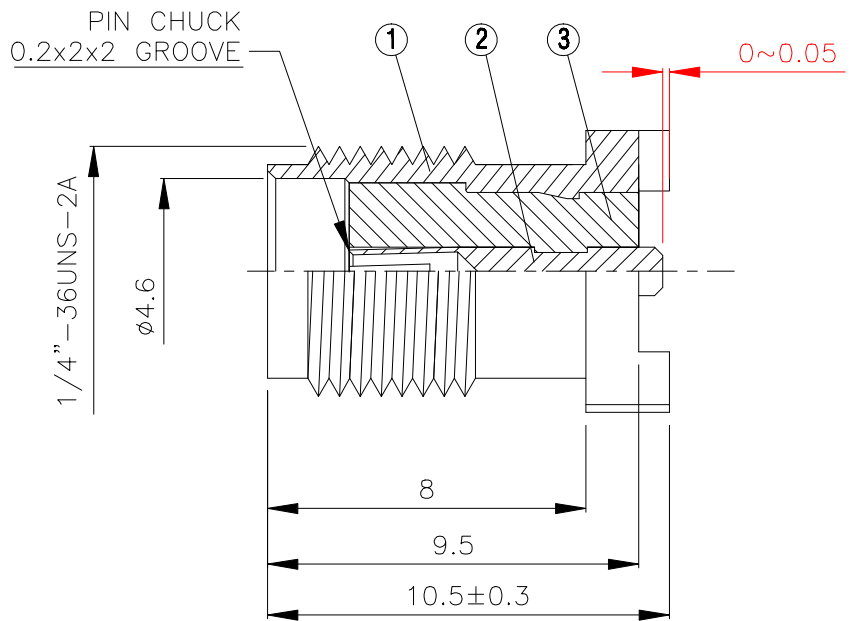
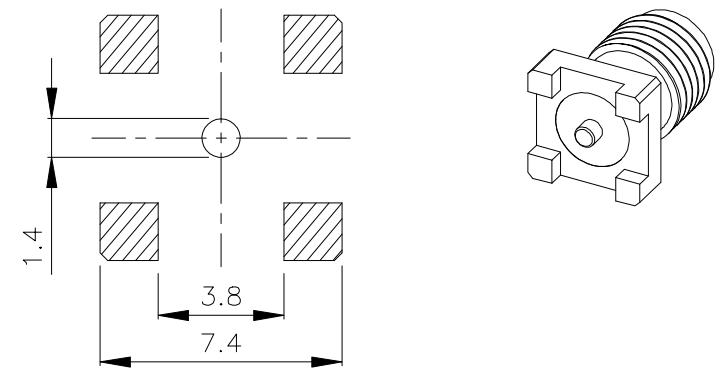


NO	DESCRIPTION	MATERIAL	Q'TY	FINISH	REMARK
1	BODY	BRASS	1	GOLD	B-SMA0329-G
2	PIN	BE CU	1	GOLD	P-SMA0204-G
3	INSULATION	TEFLON	1	TEFLON	I-0106T

(Recommended Soldering Dimension)



HUS-TSAN GROUP CO., LTD.
P.O.BOX 40-76.TAINAN.TAIWAN,R.O.C.
TITLE SMA FEMALE PCB MOUNT
PART NO. SMA-10V21-TGG
DRAWING NO. SMA 10V21 TGG

DRAWN	MARY	DATE	96.03.21
CHECKED	沈佳憐	DATE	
Q.A.	蘇姿潔	DATE	
APPROVAL	徐燦霖	DATE	
REVISION		DATE	

DIMENSIONS ARE IN MILLIMETERS			
UNLESS OTHERWISE SPECIFIED TOLERANCE			
0.5-5=±0.2	120-315=±1		
5-30=±0.4	315-1000=±1.6		
30-120=±0.6	1000-2000=±2.4		
SCALE	4:1	SIZE	A

REVISION	
DESCRIPTION	ENGINEER