

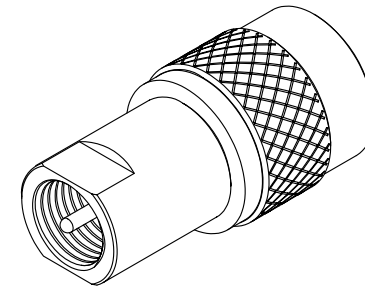
4

3

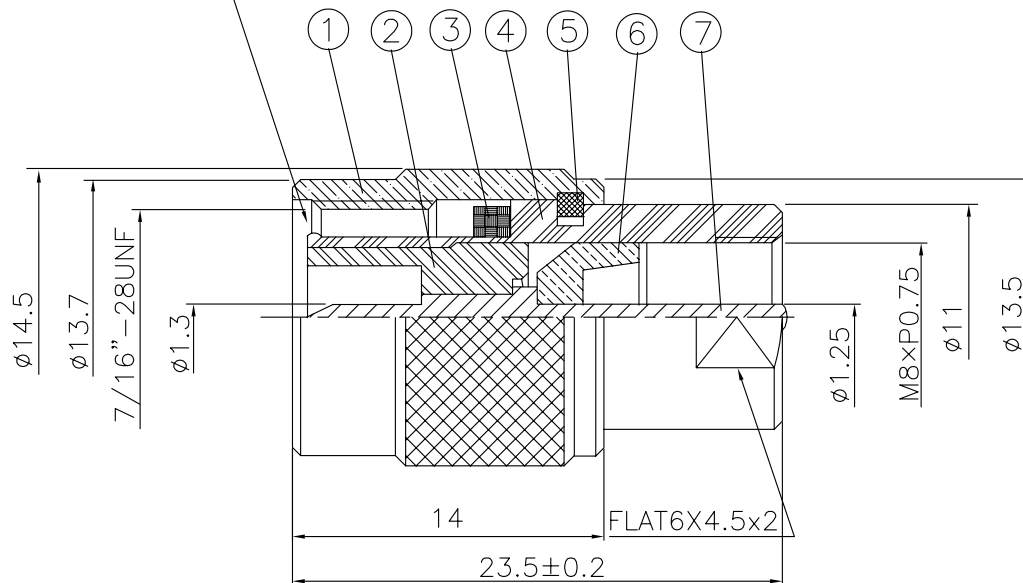
2

1

NO	DESCRIPTION	MATERIAL	Q'TY	FINISH
1	SHELL	BRASS	1	NICKEL
2	INSULATION	DELKIN	1	DELKIN
3	GASKET	RUBBER	1	RUBBER
4	BODY	BRASS	1	NICKEL
5	WASHER	BRASS	1	NICKEL
6	INSULATION	DERRIN	1	DELKIN
7	PIN	BRASS	1	GOLD



BODY CHUCK
0.4x5x6 GROOVE



D

D

C

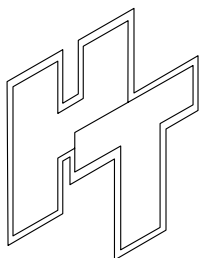
C

B

B

A

A



HUS-TSAN GROUP CO., LTD.
P.O. BOX 40-76. TAINAN. TAIWAN, R.O.C.

TITLE
FME MALE-TNC MALE

PART NO.
FME-13-DGN

DRAWING NO. FME 13 DGN

DRAWN MARY DATE 96.07.07

CHECKED 蘇志欣 DATE

Q.A. 蘇姿潔 DATE

APPROVAL 徐燦霖 DATE

REVISION DATE

DIMENSIONS ARE IN MILLIMETERS
UNLESS OTHERWISE SPECIFIED
TOLERANCE

0.5-5 = ± 0.2 120-315 = ± 1
5-30 = ± 0.4 315-1000 = ± 1.6
30-120 = ± 0.6 1000-2000 = ± 2.4

SCALE 4:1 SIZE A

REVISION

DESCRIPTION ENGINEER

4

3

2

1