



10EWGE1.0 Open Ended Waveguide Probe 75-110GHz 6db Gain 1.0mm Female

WR10 Open Ended Waveguide Probe From 75GHz to110GHz With a Nominal 6dB Gain With Endlaunch Coaxial 1.0mm Female Connector

Product Information

SKU	10EWGE1.0
-----	-----------

Description

Open ended waveguide Probe 10EWGE1.0, operating from 75 to 110GHz with a nominal 6dB gain and low VSWR 2.0:1 with endlaunch coaxial 1.0mm Female output connector. The model 10EWGE1.0 has uniform gain through its frequency span, providing efficient performance characteristics and directionality. A small degree chamfer is utilized to give a knife-edge aperture of this model to minimize the end diffraction. This open ended waveguide probe has linear polarization and is designed specifically for planar and cylindrical near field measurements and calibration.

Technical Specification

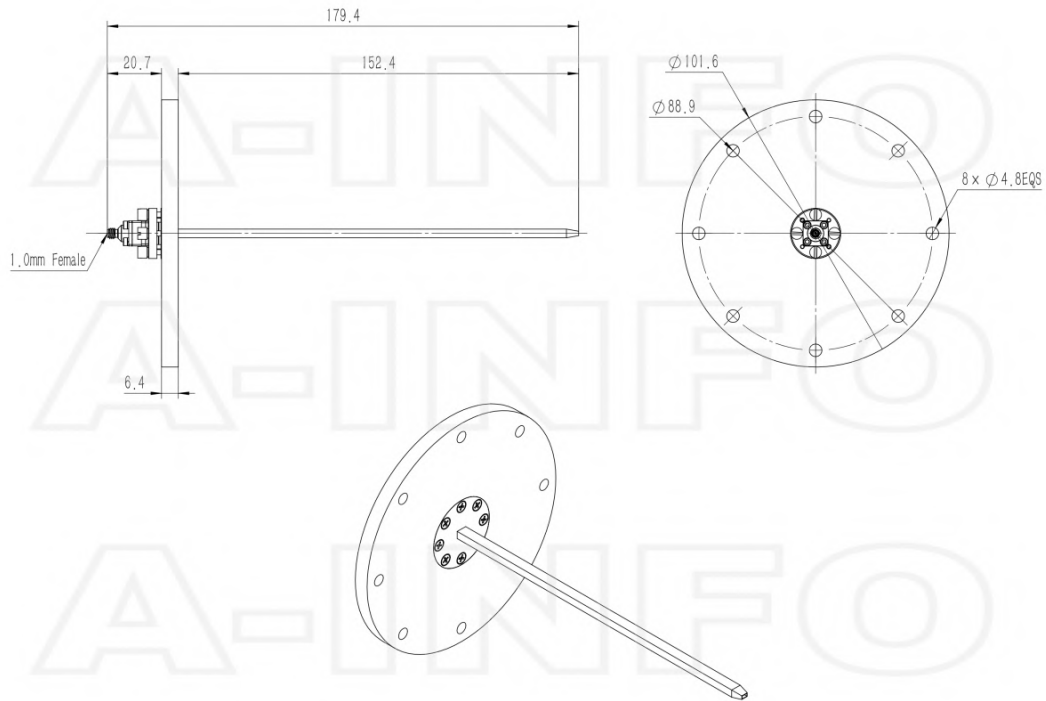
Electrical Specification		Interface	
Frequency, Min (GHz)	75	Output Type	Coaxial
Frequency, Max (GHz)	110	Connector	1.0mm
Waveguide Type	Rectangular	Connector Gender	Female
Waveguide Size EIA WR	WR10	Mechanical Specification	
Gain, Typ (dBi)	6	Body Material	Cu
Polarization	Linear	Finish	Gold Plated and Chemical Conversion Coating, Gray Paint
3dB Beamwidth, E-Plane, Typ (Deg.)	90	Size, W (mm)	101.6
3dB Beamwidth, H-Plane, Typ (Deg.)	60	Size, H (mm)	101.6
Cross Pol. Isolation, Typ (dB)	35	Size, L (mm)	179.4
VSWR, Typ	2.0:1	Weight, (kg)	0.18
Impedance, (Ohm)	50		
Power Handling, CW, (W)	3		
Power Handling, Peak, (W)	5		

Additional Information

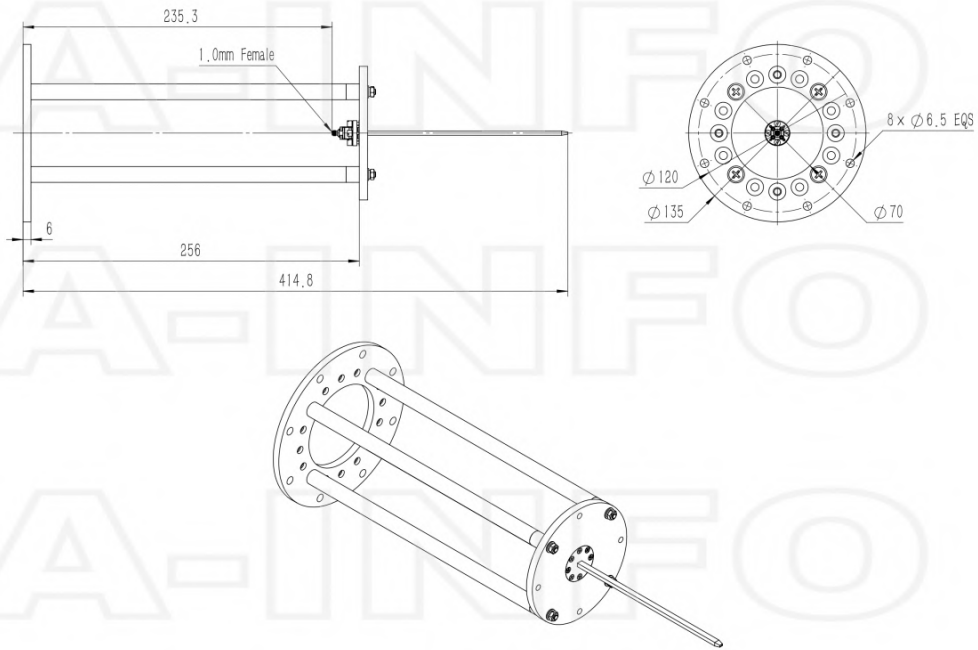
Application	General Purpose Indoor & Outdoor, Fixed	Solution for	Planar Near-Field Measurement Cylindrical Near-Field Measurement Spherical Near-Field Measurement
-------------	---	--------------	---

Outline Drawing

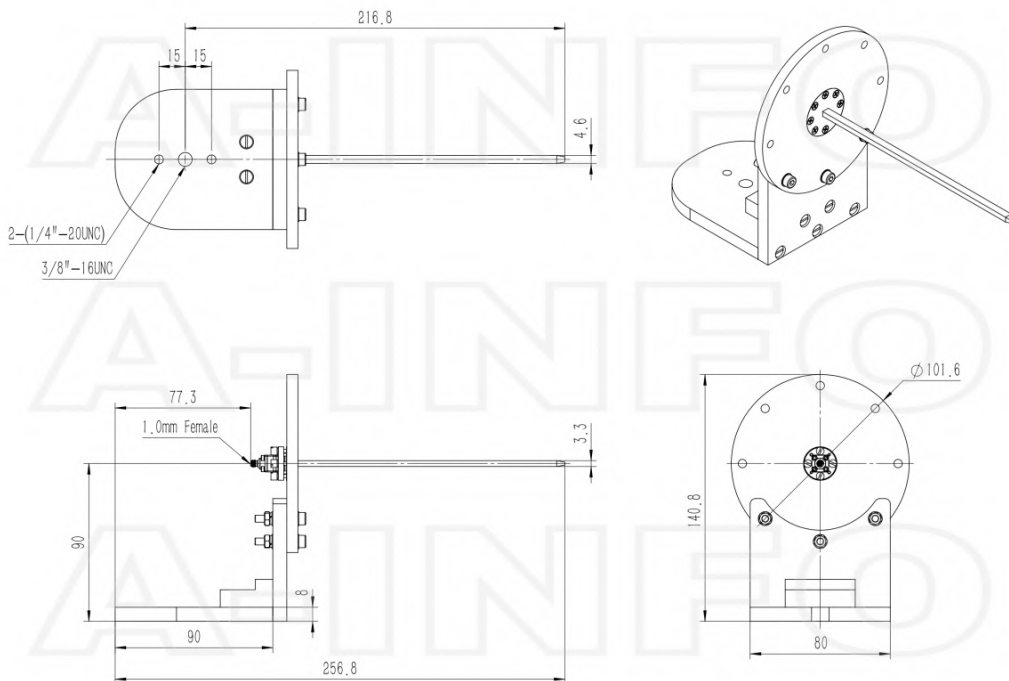
Endlaunch 1.0mm-Female Output (P/N: 10EWGE1.0)



Endlaunch 1.0mm-Female Output with Round Mounting Bracket (Option, P/N: EWG-MB40)

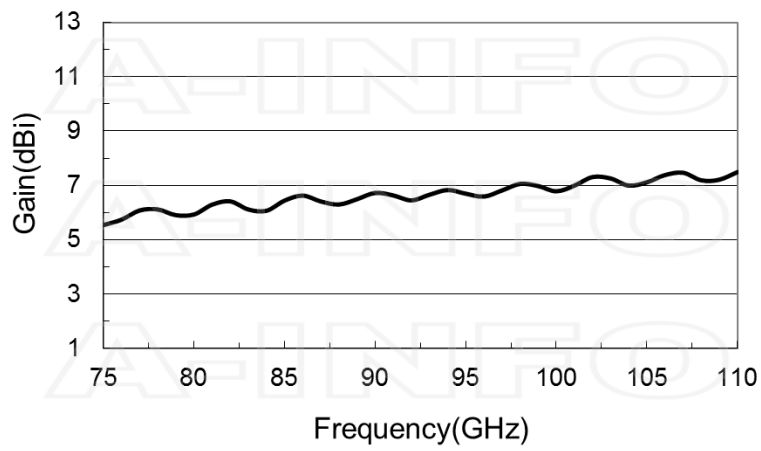


Endlaunch 1.0mm-Female Output with L Type Mounting Bracket (Option, P/N: EWG-L30/FRP)

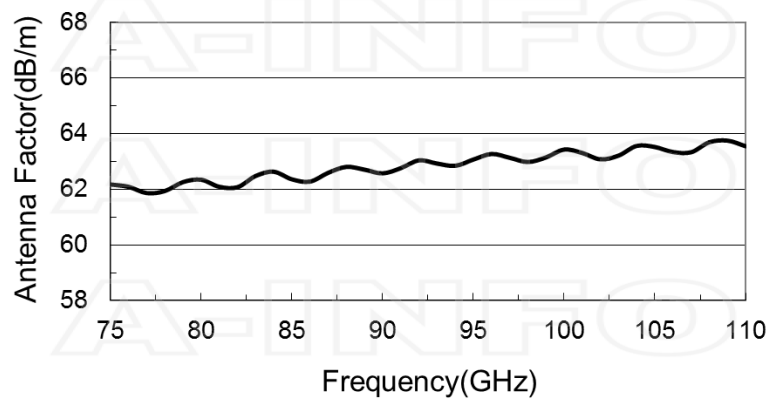


Typical Test Results

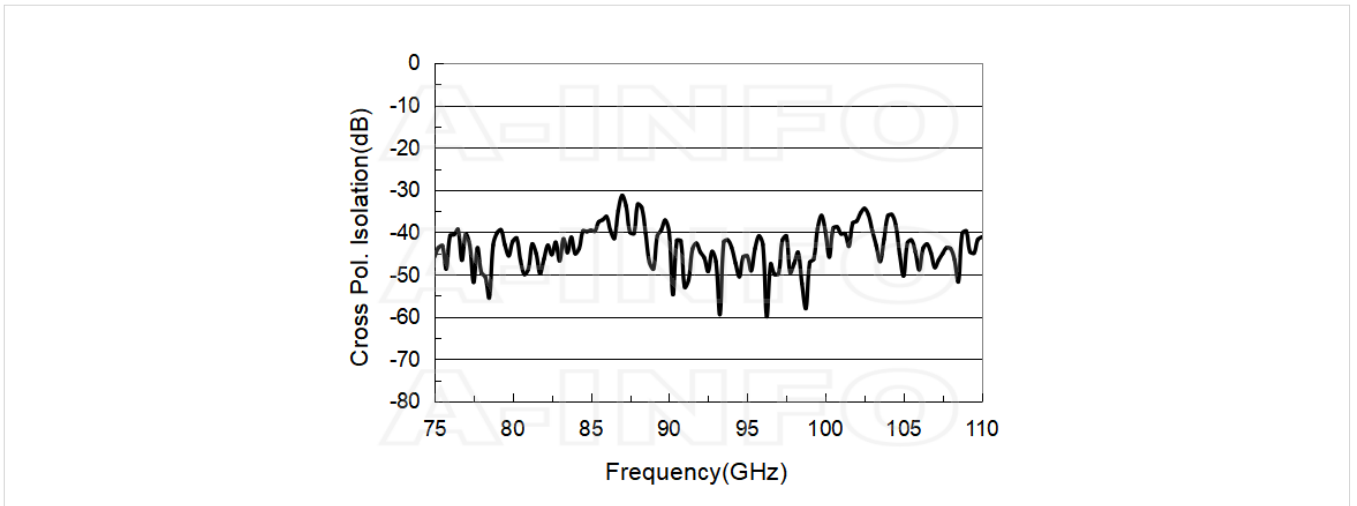
Gain



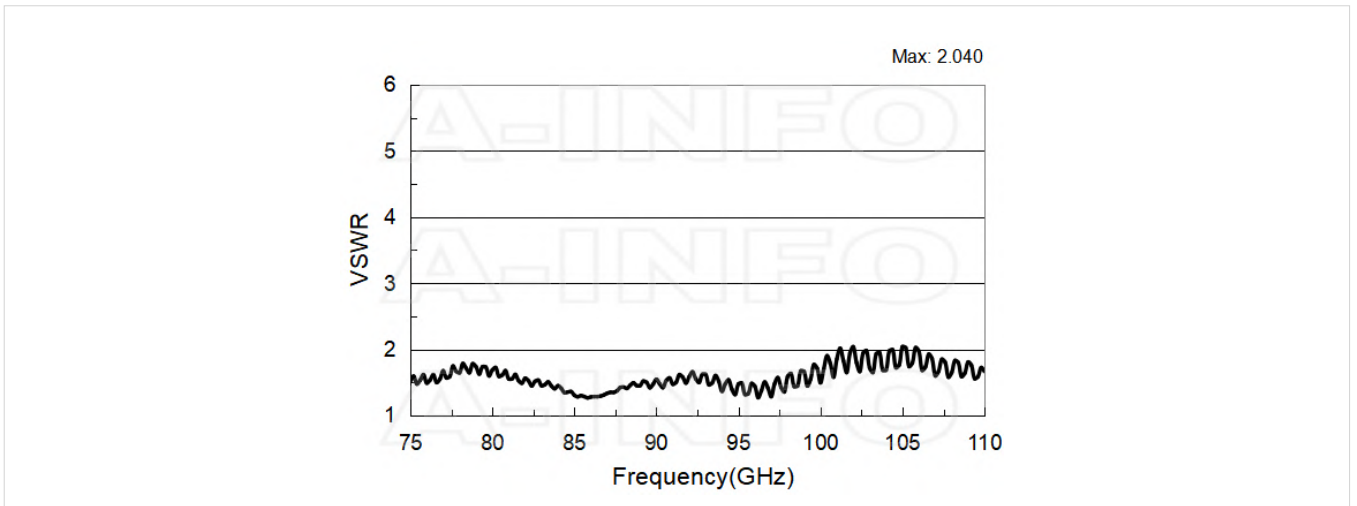
Antenna Factor



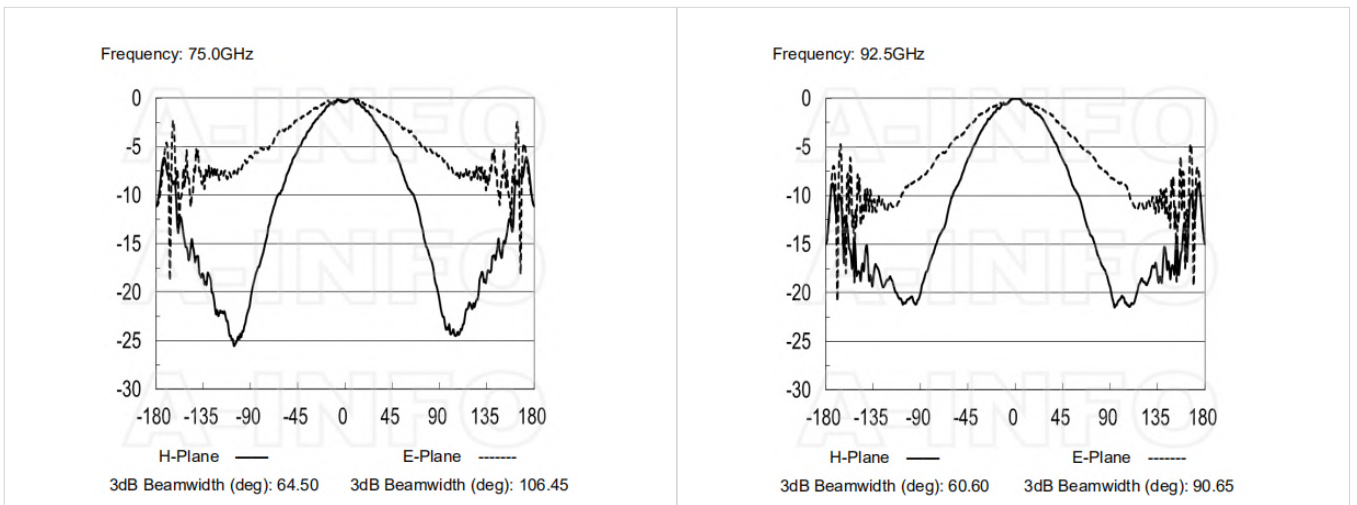
Cross Polarization Isolation

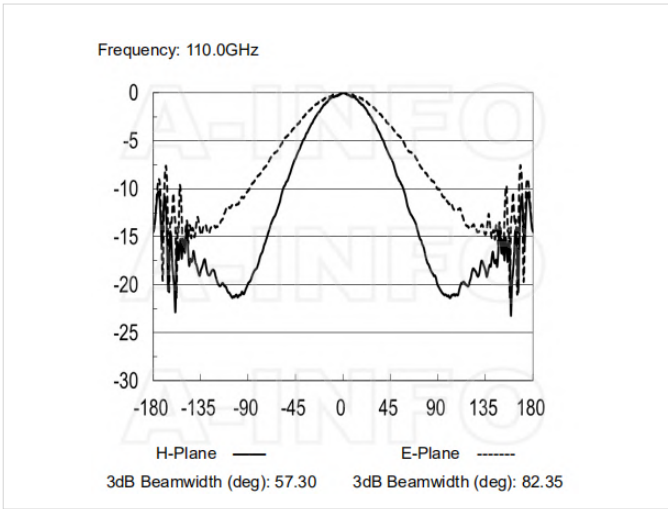


VSWR



Pattern





Related Products



EWG-MB40 Round Type Mounting Bracket



EWG-L30/FRP L Type Mounting Bracket, Non-metal



Carrying Case_42EWG Al Alloy Carrying Case

Similar Products



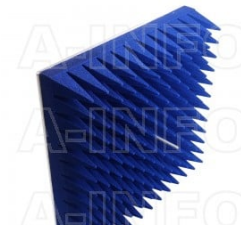
10EWG Open Ended Waveguide Probe 75-110GHz 6dB Gain Rectangular Waveguide Interface



10EWG-A1 Open Ended Waveguide Probe 75-110GHz 6dB Gain Rectangular Waveguide Interface Equipped with Absorber



10EWG1.0 Open Ended Waveguide Probe 75-110GHz 6dB Gain 1.0mm Female



10EWG1.0-A1 Open Ended Waveguide Probe 75-110GHz 6dB Gain 1.0mm Female Equipped with Absorber



10EWG-T02 Dual Polarization Waveguide Probes 75-110GHz 9dB Gain Rectangular Waveguide Interface



10EWG-T02-A1 Dual Polarization Waveguide Probes 75-110GHz 9dB Gain Rectangular Waveguide Interface Equipped with Absorber



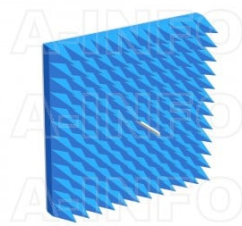
10EWG1.0-T02 Dual Polarization Waveguide Probes 75-110GHz 9dB Gain 1.0mm Female



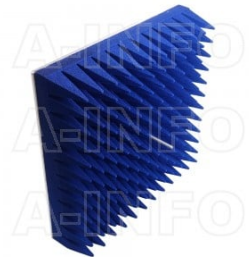
10EWG1.0-T02-A1 Dual Polarization Waveguide Probes 75-110GHz 9dB Gain 1.0mm Female Equipped with Absorber



10EWG1.0E-T02 Dual Polarization Waveguide Probes 75-110GHz 9dB Gain 1.0mm Female



10EWG1.0E-T02-A1 Dual Polarization Waveguide Probes 75-110GHz 9dB Gain 1.0mm Female Equipped with Absorber



10EWGE1.0-A1 Open Ended Waveguide Probe 75-110GHz 6db Gain 1.0mm Female Equipped with Absorber

About this Datasheet

<ul style="list-style-type: none"> ● Product Information Product Link: https://www.ainfoinc.com/10ewge1-0-open-ended-waveguide-probe-75-110-ghz-6db-gain-1-0mm-female Data subject to change without notice. © A-INFO INC. 2024. All Rights Reserved 	<ul style="list-style-type: none"> ● Contact Us Address: 60 Tesla, Irvine, CA 92618, USA Website: www.ainfoinc.com Email: sales@ainfoinc.com 	<ul style="list-style-type: none"> ● Phone & Fax Phone: +1-949-639-9688 +1-949-639-9608 Fax: +1-949-639-9670
---	--	---