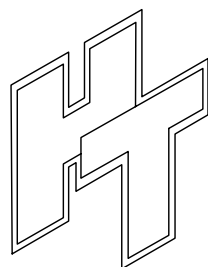
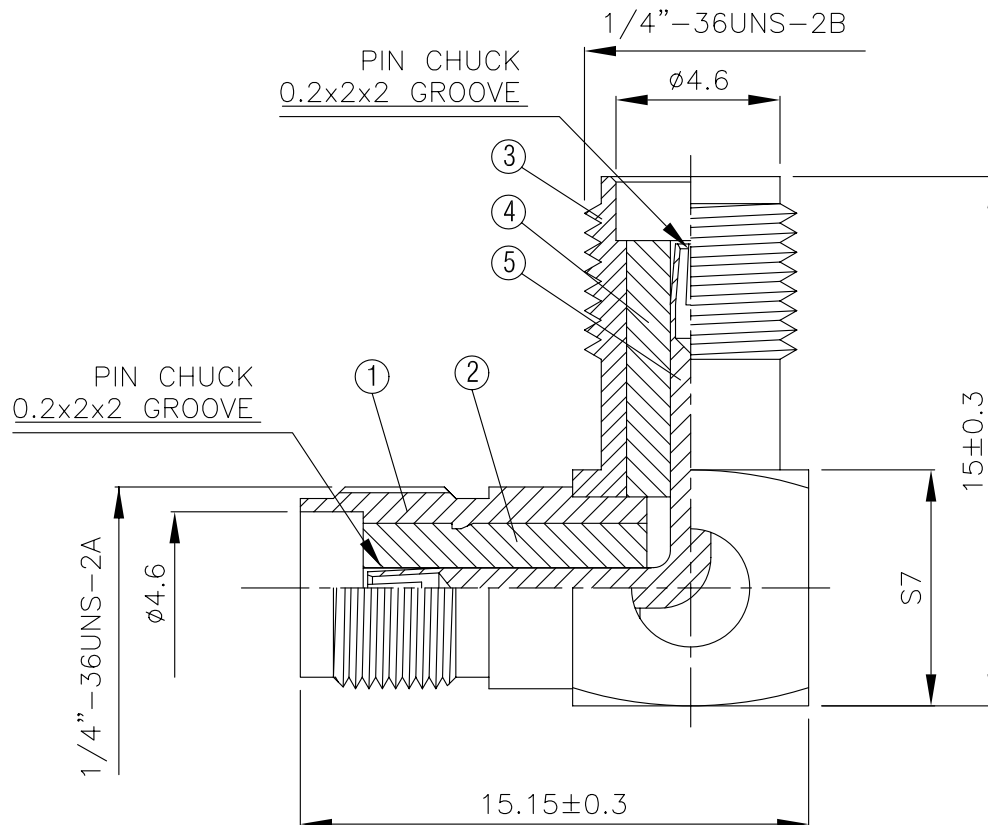
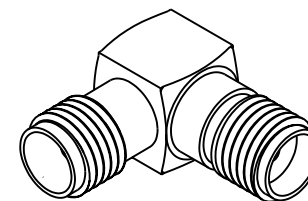


NO	DESCRIPTION	MATERIAL	Q'TY	FINISH	REMARK
1	BODY 1	BRASS	1	NICKEL	B-SMA0065-N
2	INSULATION 1	TEFLON	1	TEFLON	I-0126T
3	BODY 2	BRASS	1	NICKEL	B-SMA0317-N
4	INSULATION 2	TEFLON	1	TEFLON	I-0151T
5	PIN	BE CU	1	GOLD	P-SMA0275-G



HUS-TSAN GROUP CO., LTD.

P.O. BOX 40-76. TAINAN. TAIWAN, R.O.C.

TITLE
SMA FEMALE ANGLE - FEMALE ADAPTOR

PART NO. SMA-54-TGN

DRAWING NO. SMA 54 TGN

DRAWN MARY DATE 96.03.15

CHECKED 黃巧君 DATE

Q.A. 蘇姿潔 DATE

APPROVAL 徐燦霖 DATE

REVISION DATE

DIMENSIONS ARE IN MILLIMETERS

UNLESS OTHERWISE SPECIFIED TOLERANCE

0.5-5=±0.2 120-315=±1

5-30=±0.4 315-1000=±1.6

30-120±0.6 1000-2000=±2.4

SCALE 4:1 SIZE A

REVISION

DESCRIPTION ENGINEER