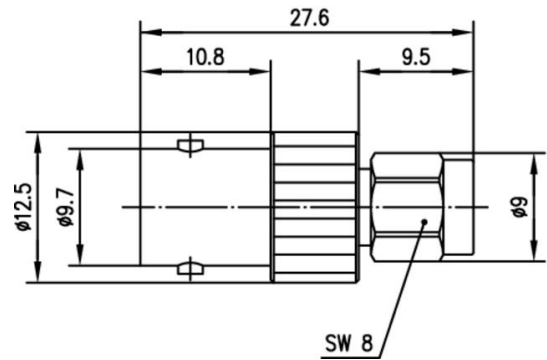


order number: J01008A0025

BNC to SMA f-m, r



Technical Attributes	
Type	BNC (f)/SMA (m)
Max. Frequency	4 GHz
Return Loss	36dB/1GHz; 32dB/2GHz; 28dB/4GHz
Life	min. 500
Z	Ω
Series	
Finish	
Mount. dim.	