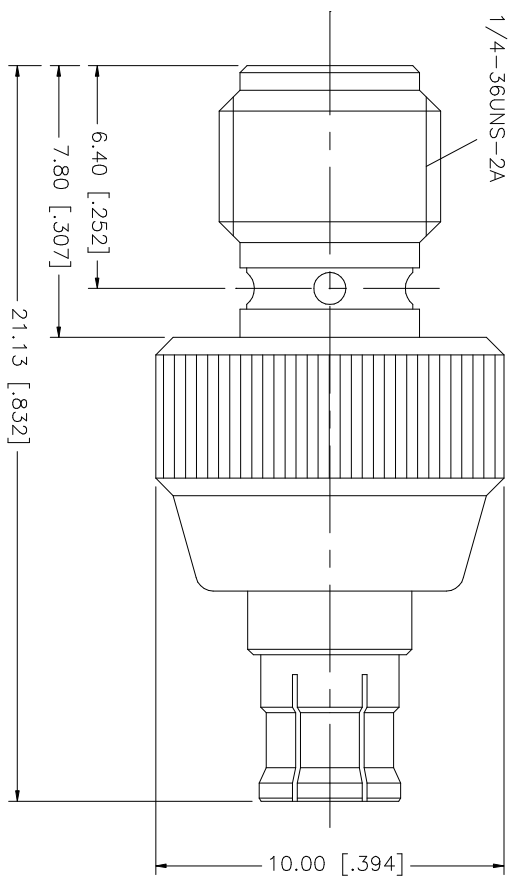


REV.	DATE	DESCRIPTION
A	01/30/04	UPDATE DRAWING FORMAT



QTY	FINISH	MATERIAL	DESCRIPTION
1	GOLD	BEFR. COPPER	CONTACT PIN
2	NATURAL	TEFLON	INSULATOR
1	GOLD	BRASS	BODY
			DESCRIPTION

UNLESS OTHERWISE SPECIFIED DIMENSIONS ARE IN INCHES AND FOR CUSTOMER REFERENCE ONLY.	APPROVALS	DATE	<p>Amphenol Connex</p> <p>PART DESCRIPTION</p> <p>SMA FEMALE TO MCX MALE ADAPTER</p> <p>PART NO. 242127</p>
TOLERANCES FOR MILLIMETERS ARE:	DRAWN G.R.S.	01/30/04	
0.3 - 8mm ± 0.20mm 8 - 30mm ± 0.40mm 30 - 120mm ± 0.50mm	CHECKED		
UNLESS OTHERWISE SPECIFIED DIMENSIONS FOR INCHES ARE:	ISSUED		
.020 - .315 = ± 0.007" .315 - 1.180 = ± 0.015" 1.180 - 4.724 = ± 0.020"	SHEET 1 OF 1		
DO NOT SCALE DRAWING	CAD FILE C:/242/242127.DWG	DWG. NO. 242127.DWG	REV. A SIZE A SCALE NA