

6

5

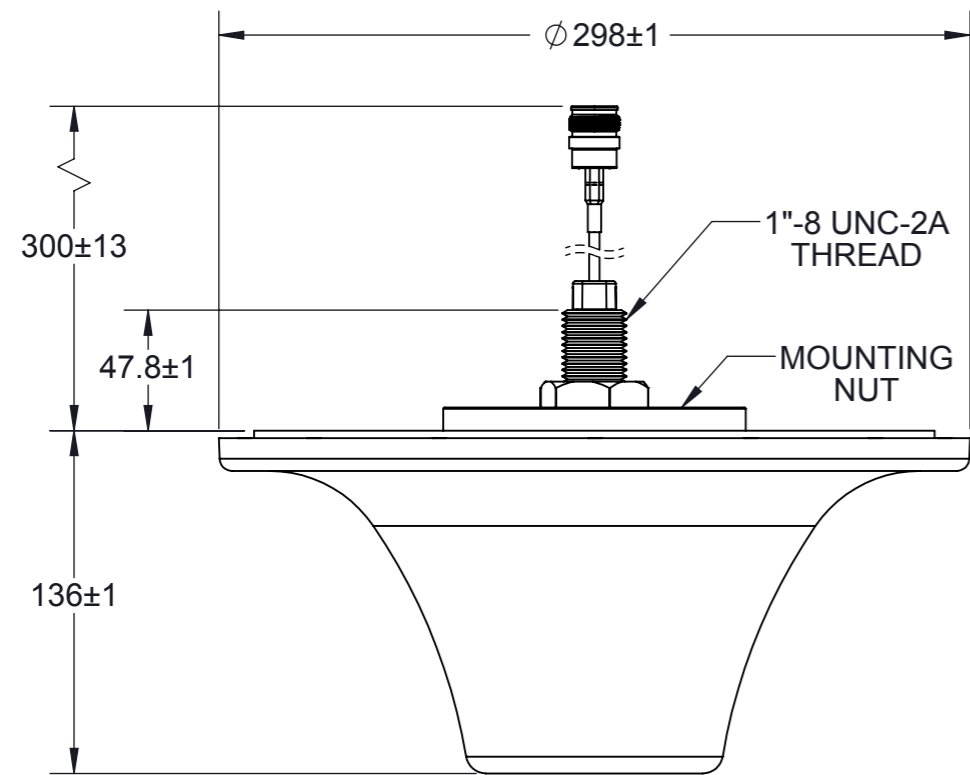
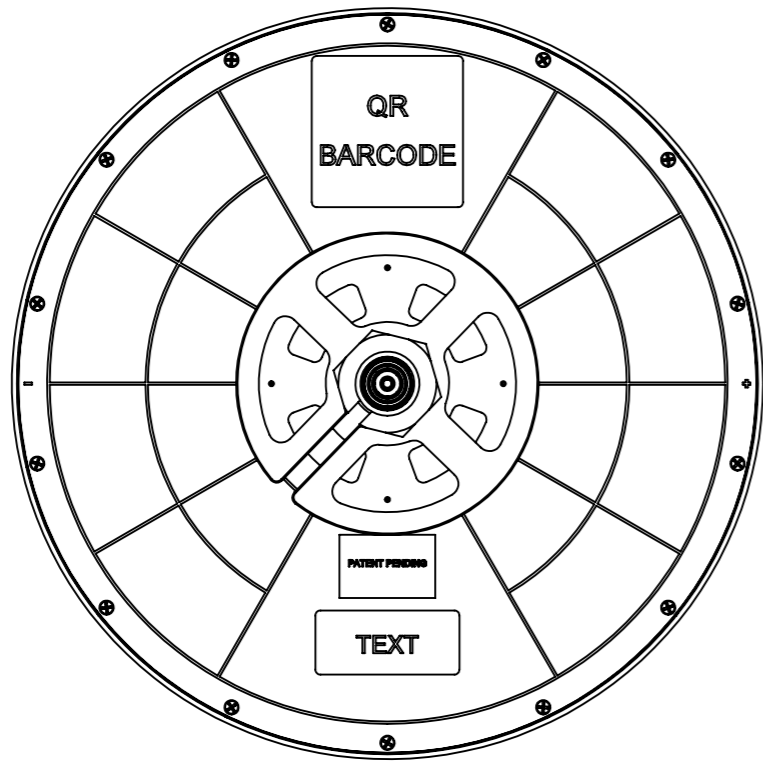
4

3

2

1

REVISIONS					
REV.	ECN#	ZONE	DESCRIPTION	CHANGED BY/DATE	APPROVED BY/DATE
F01	ECN-IAS-04727	ALL	INITIAL RELEASE	YJ TEOH 13OCT15	CY HANG 13OCT15



Parameter	Performance
Laird Model Number	CMS38606P-30D43F
Frequency	380-520 MHz
	600-960 MHz
	1390-1435 MHz
	1690-6000 MHz
VSWR 380-520MHz	3.0:1 Max
VSWR 600-960,1390-1435, 1690-6000 MHz	2.0:1 Max
Max Gain	3.1 dBi @ 380-520 MHz
	2.9 dBi @ 600-960 MHz
	5.4 dBi @1390-1435 MHz
	7.0 dBi @1690-6000 MHz
Polarization	Vertical
Impedance	50Ω
PIM (IM3 @ 2X43 dBm)	<-150dBc
Power	50W @ ambient temp 25°C (77°F)
RF Connector	4.3-10 CONNECTOR FEMALE
Radome Color	White
Operating Temperature	- 30°C to +70°C
Storage Temperature	- 40°C to +85°C
Water/Foreign Body Ingress	IP-67
Antenna Weight	0.8kg (1.76lbs)

MATERIAL: N/A		THIRD ANGLE PROJECTION 	Laird MANCHESTER, NH 03103 USA		
FINISH: N/A				DO NOT SCALE DRAWING	
APPROVALS		INTERPRET DIMENSIONING AND TOLERANCING IN ACCORDANCE WITH ASME Y14.5M-2009 TOLERANCES UNLESS OTHERWISE SPECIFIED DIMENSIONS ARE IN MILLIMETERS	TITLE: CMS38606P-30D43F MOUNTING & OUTLINE		
DRAWN BY	YJ TEOH			DATE	13OCT15
ELEC. ENG.	KJ NG			DATE	13OCT15
MECH. ENG.	CY HANG			DATE	13OCT15
MFG./OPS.	CH FONG			DATE	13OCT15
UNLESS OTHERWISE NOTED, THIS DOCUMENT CONTAINS LAIRD TECHNOLOGIES CONFIDENTIAL INFORMATION. REPRODUCTION, USE, DISCLOSURE OR TRANSMITTAL OF ALL OR ANY PART OF THIS DOCUMENT IS PROHIBITED EXCEPT TO THE EXTENT APPROVED IN WRITING BY AN AUTHORIZED REPRESENTATIVE OF LAIRD TECHNOLOGIES. LAIRD TECHNOLOGIES RESERVES ALL RIGHTS UNDER PATENTS, TRADEMARKS, COPYRIGHTS AND TRADE SECRETS. COPYRIGHT, LAIRD TECHNOLOGIES 2014. ALL RIGHTS RESERVED.		ANGLE: 0 PLACE DECIMAL: ±30' 1 PLACE DECIMAL: ±0.5 2 PLACE DECIMAL: ±0.25 SURFACE ROUGHNESS 1.6/√	SIZE A3	DWG. NO. CMS38606P-30D43FMO	REV F01
		SCALE: 1:3	PREVIOUS#	SHEET 1 OF 3	

6

5

4

3

2

1

6

5

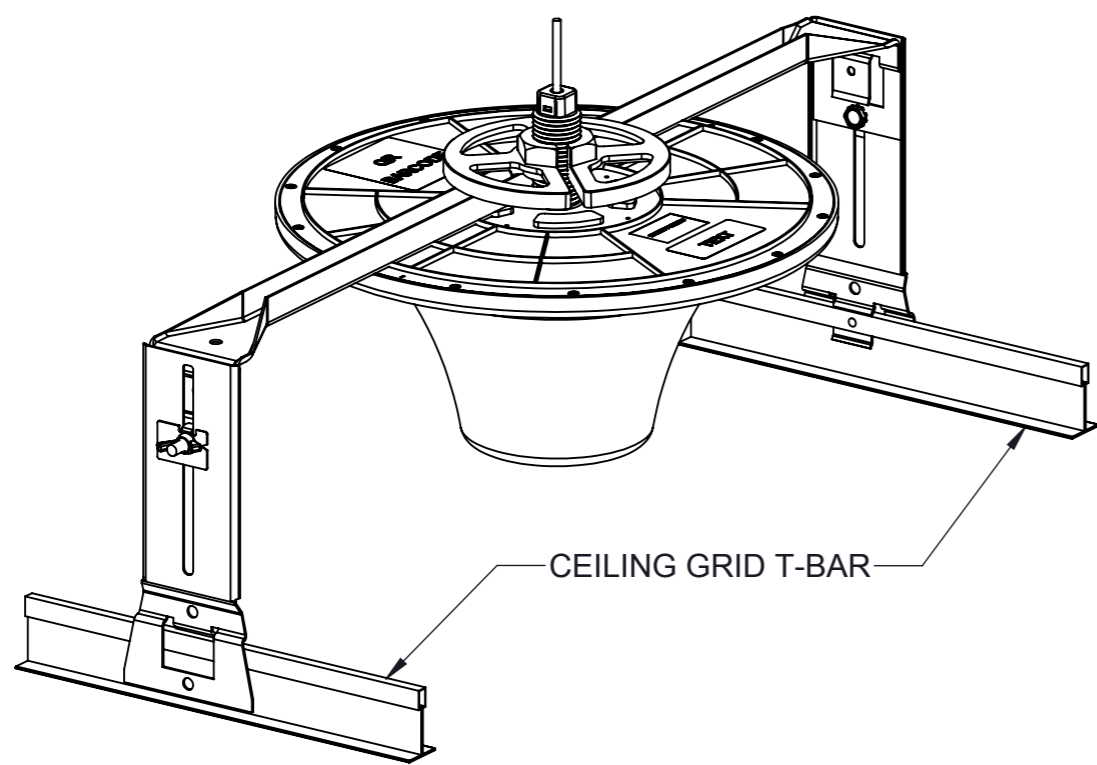
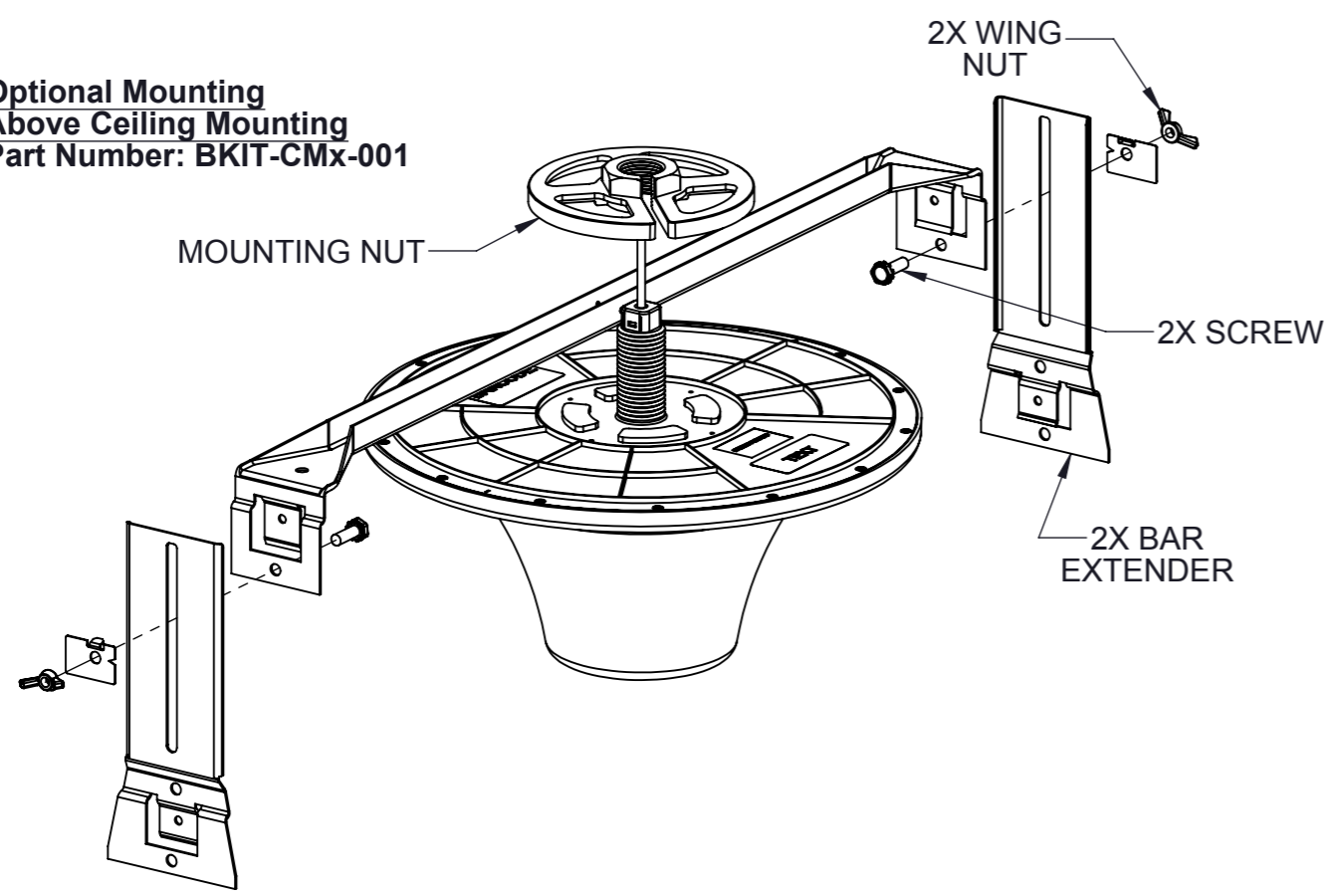
4

3

2

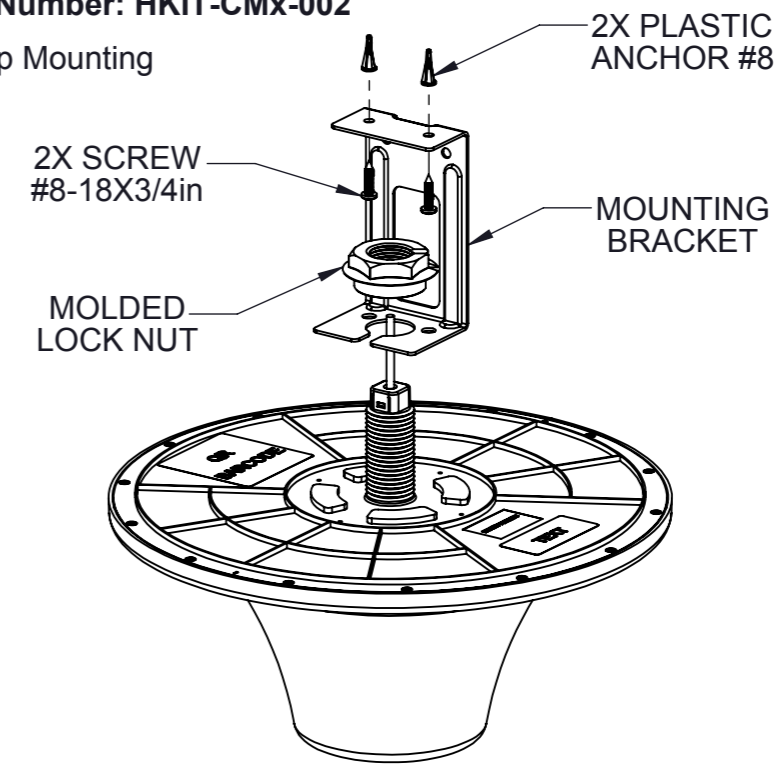
1

**Optional Mounting
Above Ceiling Mounting
Part Number: BKIT-CMx-001**

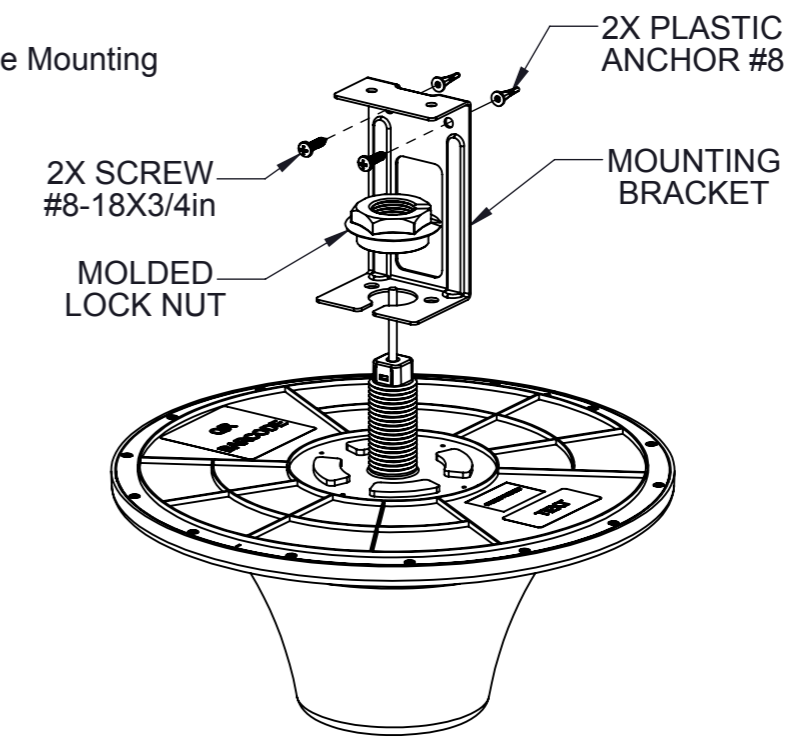


**Optional Mounting
Hard Ceiling Mounting
Part Number: HKIT-CMx-002**

1. Top Mounting



2. Side Mounting



NOTE: THESE OPTIONAL MOUNTING KITS **ARE NOT** INCLUDED WITH THE ANTENNA AND CAN BE PURCHASED SEPERATELY



MANCHESTER, NH 03103
USA

SIZE	DWG. NO.	REV
A3	CMS38606P-30D43FMO	F01
SCALE: 1:4	PREVIOUS#	SHEET 2 OF 3

6

5

4

3

2

1

6

5

4

3

2

1

D

D

C

C

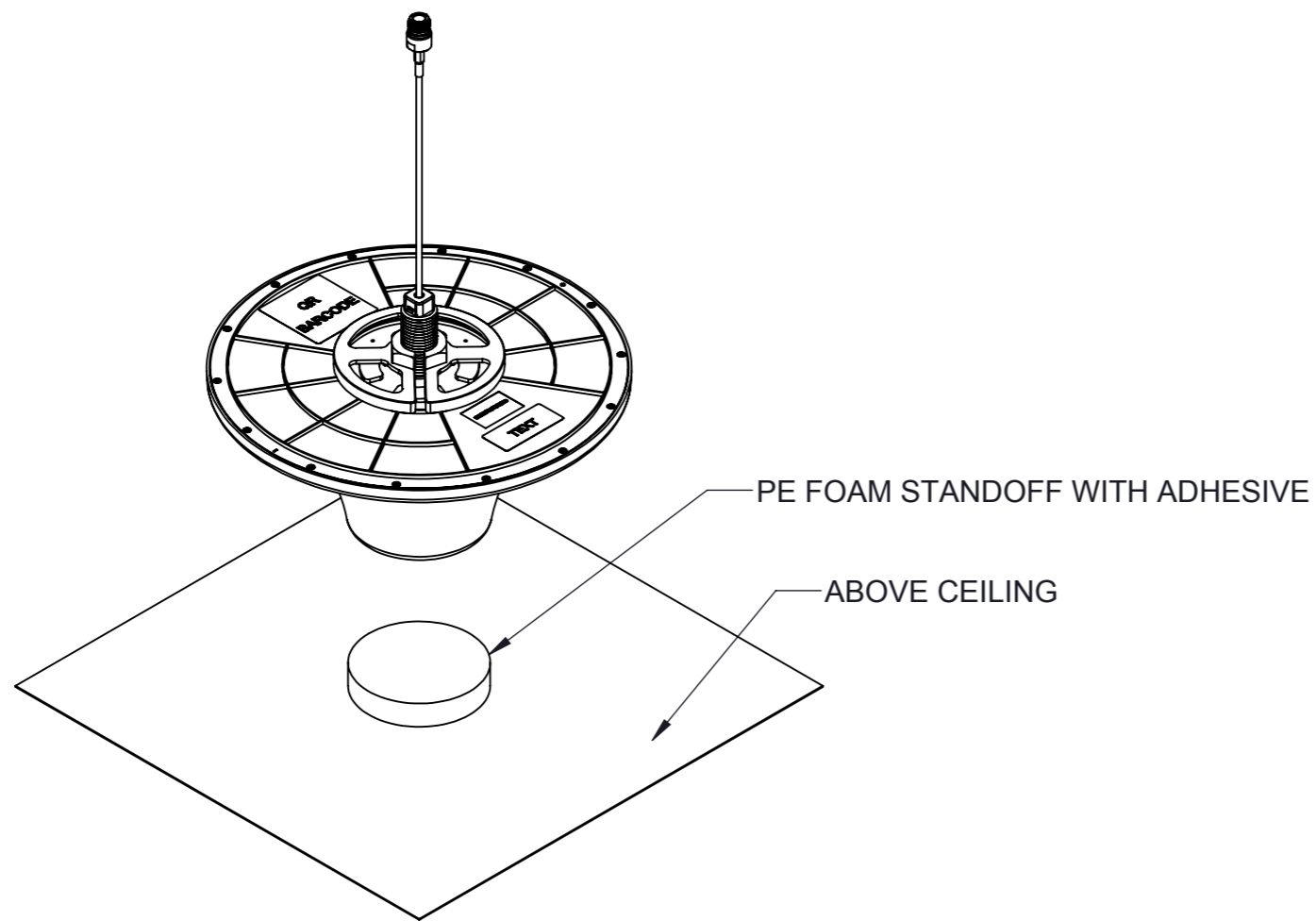
B

B

A

A

Optional Mounting
Above Ceiling Mounting
Part Number: HKIT-CMx-004



NOTE: THESE OPTIONAL MOUNTING KITS **ARE NOT** INCLUDED WITH THE ANTENNA AND CAN BE PURCHASED SEPERATELY



IAS, PENANG
MALAYSIA

SIZE	DWG. NO.	REV
A3	CMS38606P-30D43FMO	F01
SCALE: 1:5	PREVIOUS#	SHEET 3 OF 3

6

5

4

3

2

1