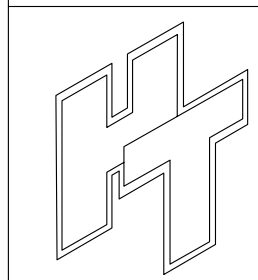
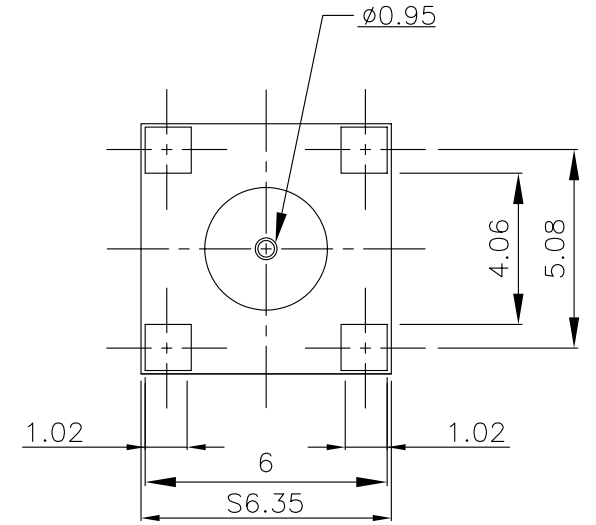
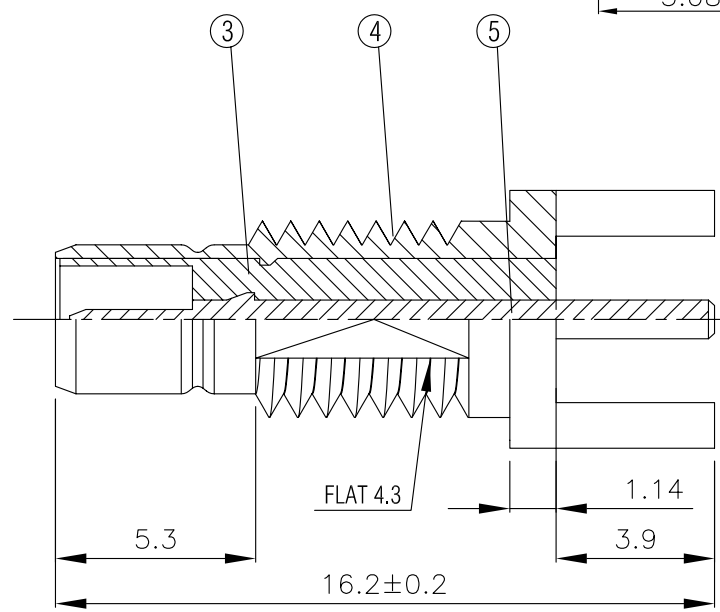
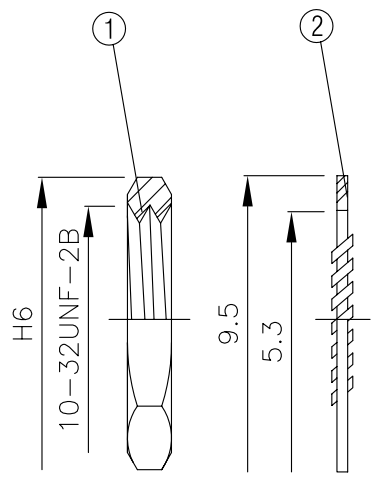
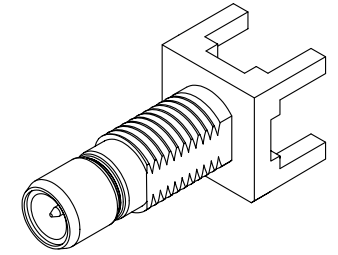
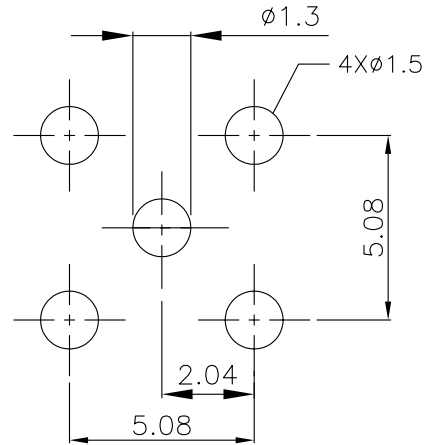


NO	DESCRIPTION	MATERIAL	Q'TY	FINISH	REMARK
1	NUT	BRASS	1	GOLD	N-0005-G
2	WASHER	BRASS	1	GOLD	W-0009-G
3	INSULATION	TEFLON	1	TEFLON	I-0525T
4	BODY	BRASS	1	GOLD	B-SMB1090-G
5	PIN	PH.BRONZE	1	GOLD	P-SMB0760-G



**HUS-TSAN GROUP CO., LTD.**  
P.O.BOX 40-76.TAINAN.TAIWAN,R.O.C.  
**TITLE** SMB MALE PCB MOUNT  
**PART NO.** SMB-33-TGG  
**DRAWING NO.** SMB-33-TGG

<b>DRAWN</b> MARY	<b>DATE</b> 95.06.27
<b>CHECKED</b> 黃巧君	<b>DATE</b> 95.06.27
<b>Q.A.</b> 沈佳憶	<b>DATE</b>
<b>APPROVAL</b> 徐燦霖	<b>DATE</b>
<b>REVISION</b>	<b>DATE</b>

<b>DIMENSIONS ARE IN MILLIMETERS</b>			
UNLESS OTHERWISE SPECIFIED TOLERANCE			
0.5-5=±0.2	120-315=±1		
5-30=±0.4	315-1000=±1.6		
30-120±0.6	1000-2000=±2.4		
<b>SCALE</b> 4:1	<b>SIZE</b> A		

<b>REVISION</b>	
<b>DESCRIPTION</b>	<b>ENGINEER</b>