

Quarter Wave Surge Arrestor 7-16 DIN male / female bulkhead, 690 to 2700 MHz

Product Description

Surge arrestors are designed to protect wireless base stations, switching centers and transmission lines from the damaging effects of extreme high voltage surges caused by lightning strikes. The RFS lightning protection devices are designed and tested to the most demanding specifications. They are rated to protect against both direct and indirect multiple strikes in the harshest environments imaginable. Their rugged construction utilizes solid metal housing, and superior plating, which results in outstanding system protection and operating continuity.



716-STUB-14

Features/Benefits

- Superior IM performance for reliable long-term operation
- Excellent electrical performance, low VSWR, low insertion loss
- Waterproof to IP68
- Totally maintenance free
- Compliant to RoHS (EU 2002/95/EC) and CRoHS (China SJ/T11363-2006) i.e. usable on a global basis.

Technical Specifications

Product Line	Coaxial Cable Components
Product Type	Surge Arrestor
Surge Arrestor Type	Quarter Wave
Design	90° Stub
Coaxial Cable Type	Foam Dielectric Ultraflexible Foam Dielectric Radiating Cable
Connector Interface	7-16 DIN
Configuration	7-16 DIN male - 7-16 DIN female (bulkhead)
Frequency Range - MHz	690 - 2700
Minimum Return Loss, VSWR (dB)	690-2700 MHz: 1.19 (21) 800-1000 MHz: 1.13 (24) 1700-2200 MHz: 1.13 (24)
Insertion Loss, dB (Max)	0.10
3rd Order IM Product @ 2x20 Watts, dBc	< -160
Surge current handling capability	mult. 25kA, Pulse 8/20 μ s
Residual pulse	5mJ typically (test pulse 20 kA Pulse 8/20 μ s)
Residual Voltage	100V (test pulse 20 kA Pulse 8/20 μ s)
Average Power	1.8kW @ 1 GHz (at 20°C, sea level, VSWR 1.0)
Peak Power, kW	40kW (at 20°C, sea level, VSWR 1.0)
Connector A	7-16 DIN Male
Center Contact Connector A	Brass, silver plated
Outer Contact Connector A	Brass, white bronze
Connector B	7-16 DIN Female bulkhead (protected)
Center Contact Connector B	Brass, silver plated
Outer Contact Connector B	Brass, white bronze
Body	Brass, white bronze
Dielectric	PTFE
Gasket	Silicone
Sealing class	IP68
Operation Temperature, °C(°F)	-45 to 85 (-49 to 185)
Mounting / Grounding	Bulkhead; Thread for grounding M8
Drill Hole Size, mm (in)	M8
Spare Part / Useful Accessories	GW-16/20 : Grounding Wire Kit
Package Quantity	1
Weight, kg (lb)	0.51 (1.11)

Notes

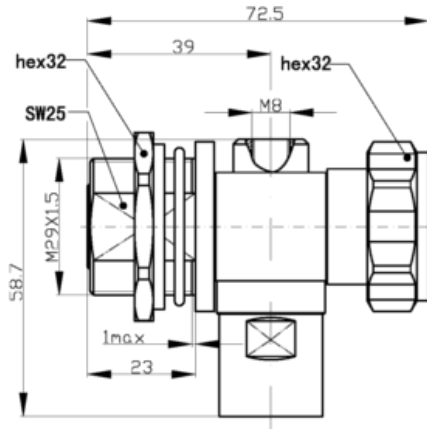
incl. screw M8x12, spring washer 8 mm and washer 8 mm for installation of grounding cables or bus bars

Other Documentation



Quarter Wave Surge Arrestor 7-16 DIN male / female bulkhead, 690 to 2700 MHz

Installation Instruction: [2800095-b_Surge Arrestor.pdf](#)



Outline drawing, dimension in millimeters