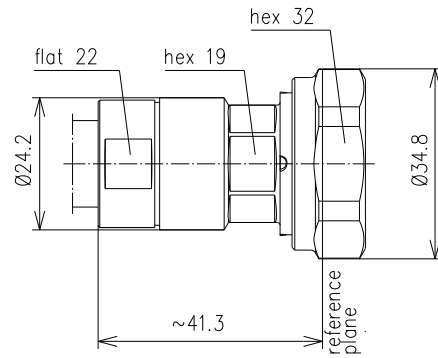


Cable Plug for LF 1/2"-50, Type 7-16 || BN 854317



all dimensions in millimeter

SPINNER GmbH | This document is proprietary to us. All rights reserved. Any use, transfer, or reproduction of this document or the know-how contained therein requires our express consent.

| | | |
|--|---|--|
| Interface type | 7-16 plug (50 Ω) per IEC 61169-4 | |
| Version | MultiFit | |
| Frequency range | DC to 6 GHz | |
| VSWR, max. / typ. | 1.02 @ DC to 1.0 GHz 1.03 @ 1.0 to 2.7 GHz 1.06 @ 2.7 to 3.8 GHz 1.10 @ 3.8 to 6.0 GHz | |
| Inner conductor material / surface finish | copper alloy / silver plated | |
| Outer conductor material / surface finish | copper alloy / CuSnZn plated | |
| Other metal parts / surface finish | copper alloy / Sn plated copper alloy / CuSnZn plated copper alloy / nickel plated | |
| Insulation | PTFE, PE | |
| Sealing | silicone rubber, EPDM | |
| IP protection level | IP68 per EN 60529 (interface connected with appropriate gasket) | |
| Cable compatibility | SPINNER Acome Andrew Draka Eupen Hansen Hengxin Leoni LS Cable RFS | SPINNERFlex™ LF1/2"-50 HPL50-1/2F LDF4-50A RFA 1/2"-50 EC4-50 RF 50 1/2" HCAAY-50-12 FlexLine 1/2" R HFC 12D Flexible Foam LCF12-50, LCF12-50 L |
| Installation instructions / Product manual | M32130 | |
| Weight, approx. | 125 g | |
| Scope of delivery | installation instructions | |

Template TD-00003G