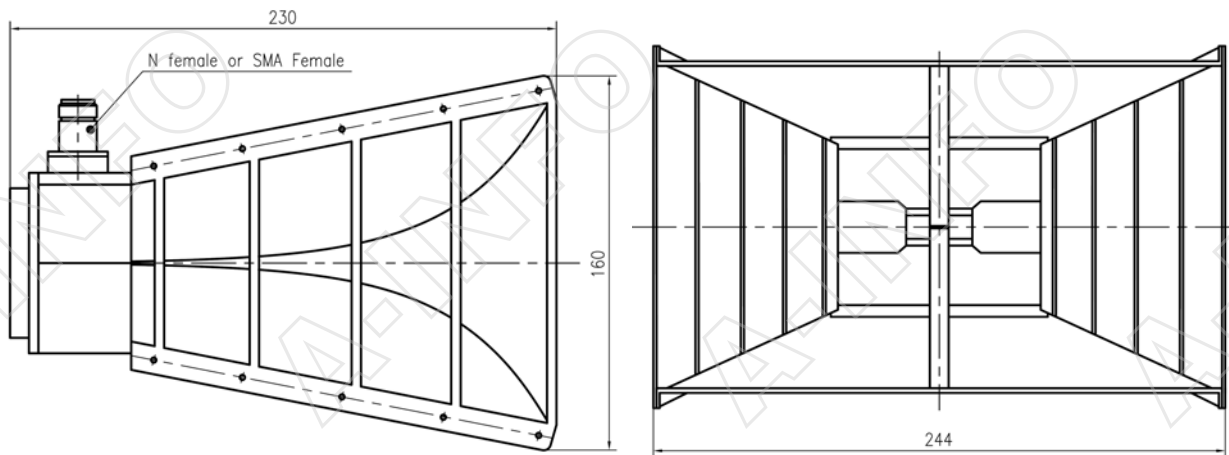


Technical Specification

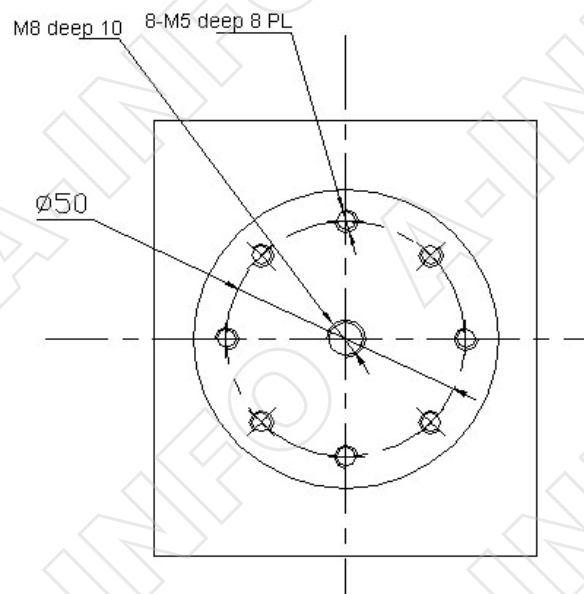


| | | |
|----------------------|--------------|-------------|
| Frequency Range(GHz) | 0.8 - 18.0 | |
| Gain(dB) | 12 Typ. | |
| Polarization | Linear | |
| VSWR | 2.0:1 Typ. | |
| Connector | N-F or SMA-F | |
| Power Handling(W) | N-F | 300 Max. CW |
| | SMA-F | 50 Max. CW |
| Size(mm) | 244x160x230 | |
| Net Weight(Kg) | 1.5 Around | |

Outline Drawing (Size: mm)

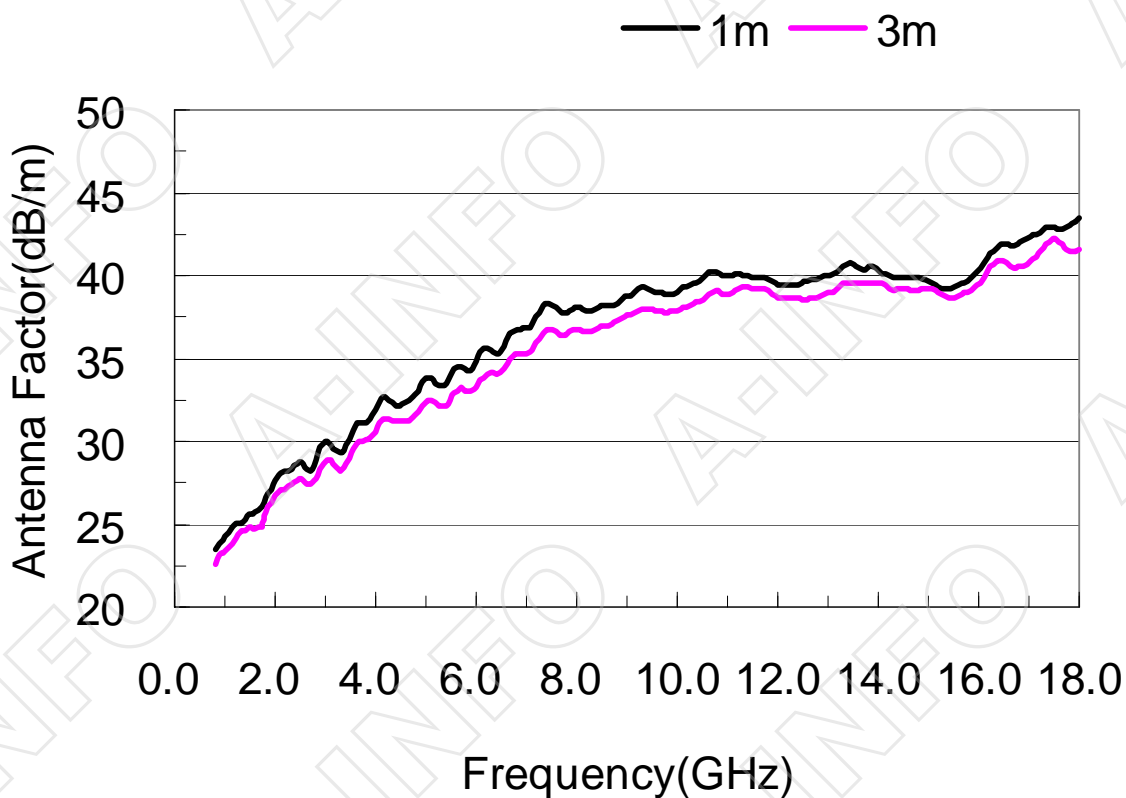
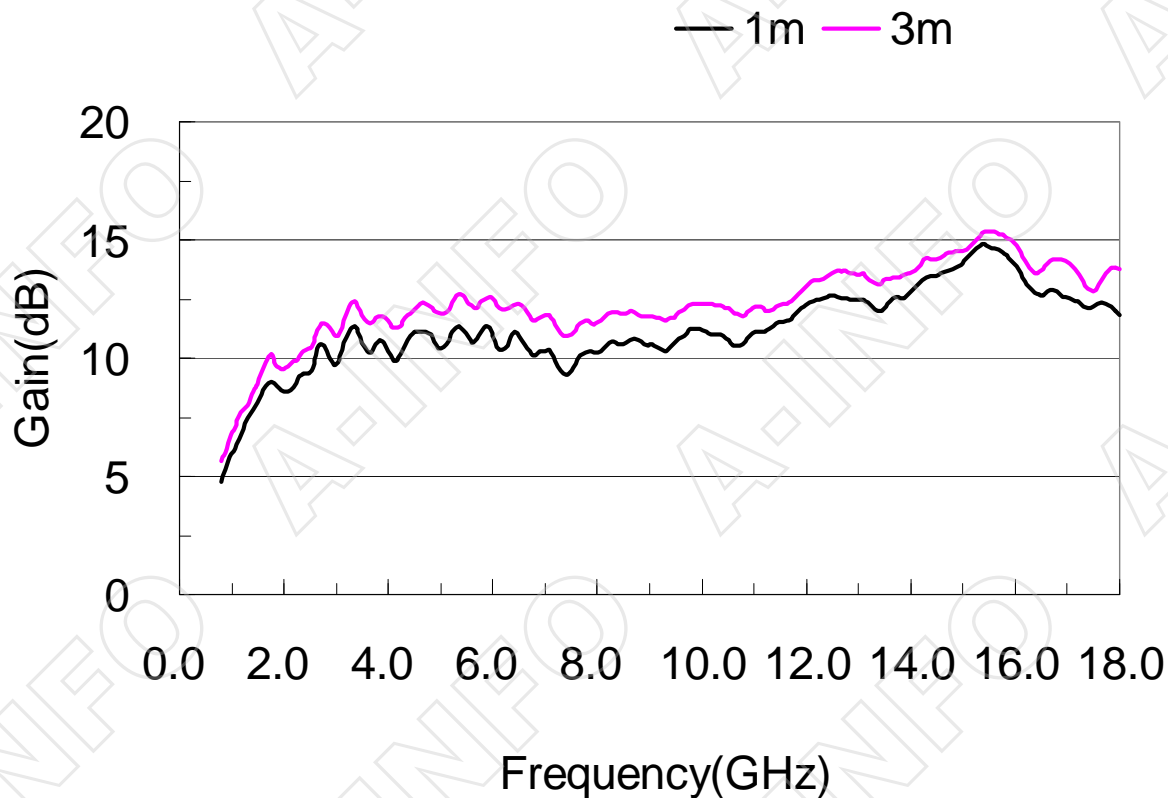


Mounting Flange



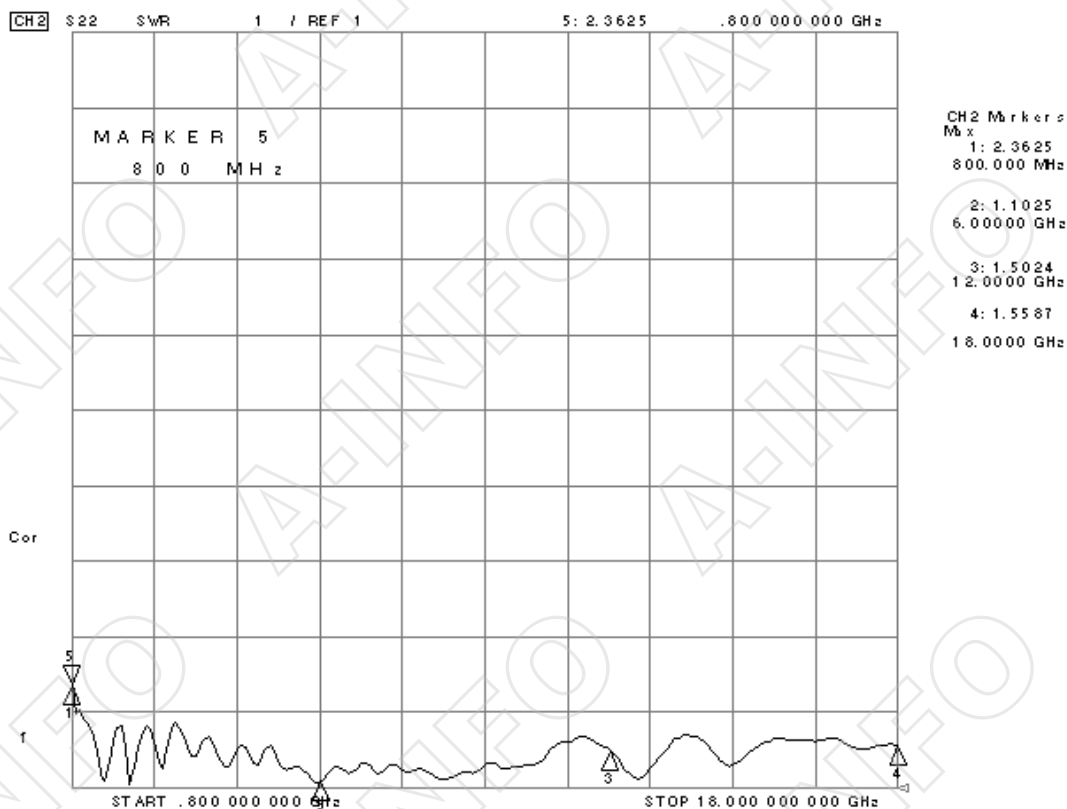
Test Results

1. Gain and Antenna Factor

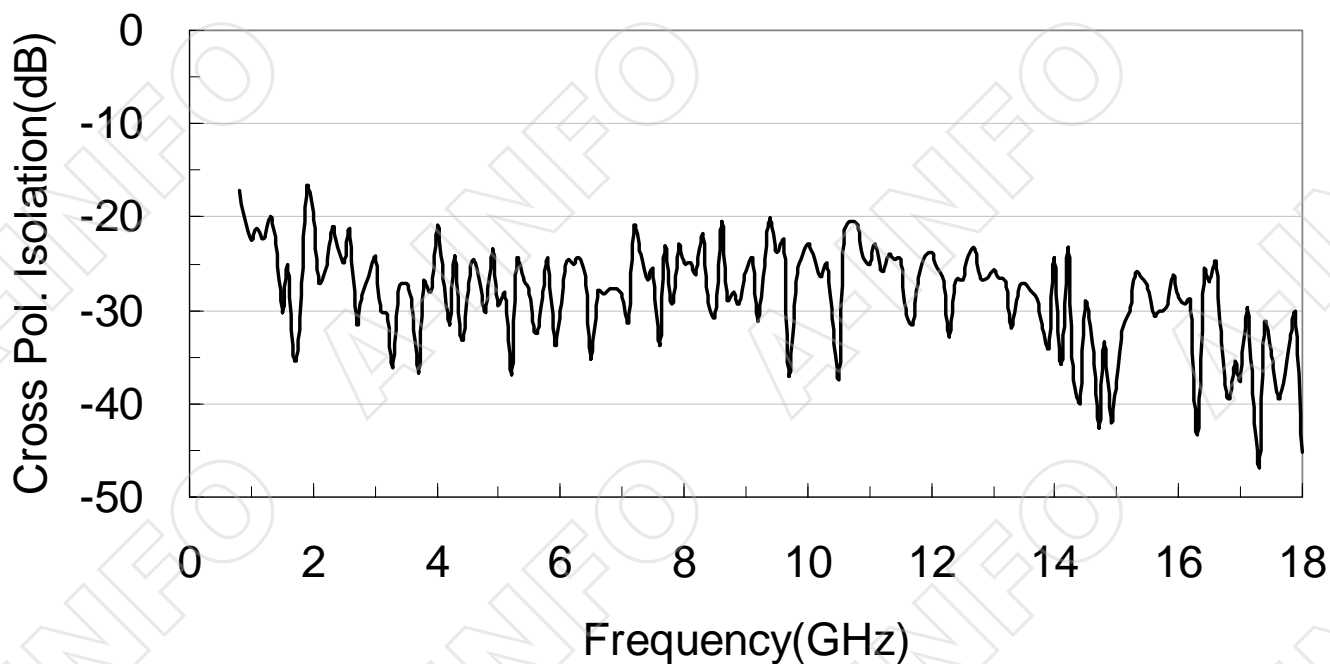


| Frequency (GHz) | Gain (dB) at 1m | Antenna Factor (dB/m) at 1m | Gain (dB) at 3m | Antenna Factor (dB/m) at 3m |
|-----------------|-----------------|-----------------------------|-----------------|-----------------------------|
| 0.8 | 4.75 | 23.53 | 5.65 | 22.62 |
| 1.0 | 6.01 | 24.20 | 6.86 | 23.35 |
| 1.5 | 8.15 | 25.59 | 8.95 | 24.78 |
| 2.0 | 8.57 | 27.66 | 9.53 | 26.70 |
| 2.5 | 9.45 | 28.71 | 10.45 | 27.72 |
| 3.0 | 9.77 | 29.98 | 10.98 | 28.77 |
| 3.5 | 10.73 | 30.36 | 11.86 | 29.23 |
| 4.0 | 10.24 | 32.01 | 11.54 | 30.71 |
| 4.5 | 11.12 | 32.16 | 12.09 | 31.19 |
| 5.0 | 10.45 | 33.74 | 11.90 | 32.29 |
| 5.5 | 11.00 | 34.02 | 12.41 | 32.60 |
| 6.0 | 10.95 | 34.83 | 12.51 | 33.26 |
| 6.5 | 11.00 | 35.47 | 12.29 | 34.18 |
| 7.0 | 10.30 | 36.81 | 11.80 | 35.31 |
| 7.5 | 9.48 | 38.23 | 10.98 | 36.73 |
| 8.0 | 10.25 | 38.02 | 11.50 | 36.77 |
| 8.5 | 10.62 | 38.18 | 11.90 | 36.90 |
| 9.0 | 10.56 | 38.73 | 11.77 | 37.52 |
| 9.5 | 10.66 | 39.11 | 11.76 | 38.00 |
| 10.0 | 11.20 | 39.01 | 12.30 | 37.91 |
| 10.5 | 10.79 | 39.84 | 12.11 | 38.53 |
| 11.0 | 11.05 | 39.99 | 12.16 | 38.88 |
| 11.5 | 11.53 | 39.89 | 12.25 | 39.17 |
| 12.0 | 12.28 | 39.52 | 13.02 | 38.77 |
| 12.5 | 12.62 | 39.53 | 13.59 | 38.56 |
| 13.0 | 12.47 | 40.02 | 13.54 | 38.95 |
| 13.5 | 12.12 | 40.69 | 13.28 | 39.54 |
| 14.0 | 12.78 | 40.35 | 13.61 | 39.52 |
| 14.5 | 13.52 | 39.92 | 14.20 | 39.24 |
| 15.0 | 14.05 | 39.68 | 14.51 | 39.22 |
| 15.5 | 14.72 | 39.30 | 15.35 | 38.67 |
| 16.0 | 13.93 | 40.37 | 14.80 | 39.49 |
| 16.5 | 12.68 | 41.88 | 13.69 | 40.87 |
| 17.0 | 12.55 | 42.27 | 14.07 | 40.75 |
| 17.5 | 12.21 | 42.86 | 12.86 | 42.21 |
| 18.0 | 11.80 | 43.51 | 13.78 | 41.54 |

2. VSWR



3. Cross Polarization Isolation



4. Pattern

