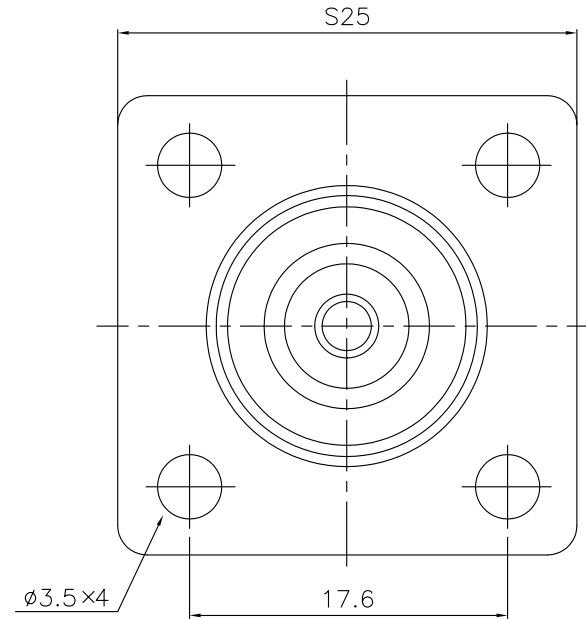
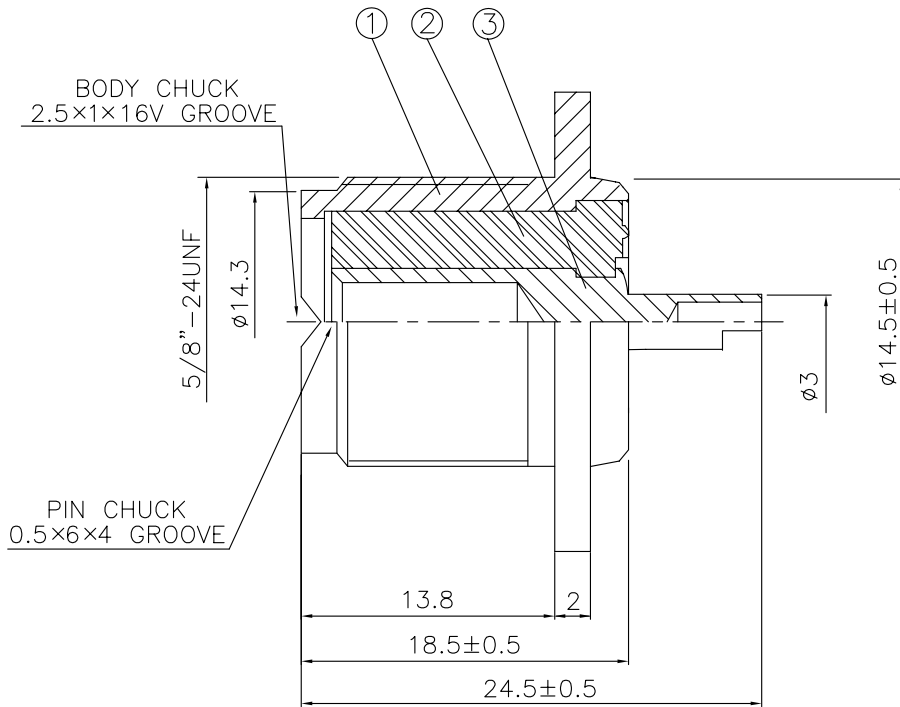
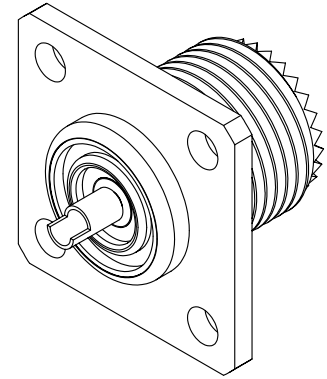


NO	DESCRIPTION	MATERIAL	Q'TY	FINISH
1	BODY	ZIN	1	NICKEL
2	INSULATION	DELRIN	1	DELRIN
3	PIN	BRASS	1	GOLD



	HUS-TSAN GROUP CO., LTD.		DRAWN	MARY	DATE	96.02.01	DIMENSIONS ARE IN MILLIMETERS		REVISION	
	P.O.BOX 40-76.TAINAN.TAIWAN,R.O.C.		CHECKED	黃巧君	DATE		UNLESS OTHERWISE SPECIFIED TOLERANCE		DESCRIPTION	ENGINEER
	TITLE PANEL FEMALE RECEPTACLE		Q.A.	蘇姿潔	DATE		0.5-5= ± 0.2	120-315= ± 1		
	PART NO. UHF-10-DGN		APPROVAL	徐燦霖	DATE		5-30= ± 0.4	315-1000= ± 1.6		
	DRAWING NO. UHF 10 DGN		REVISION		DATE		30-120= ± 0.6	1000-2000= ± 2.4		
						SCALE	4:1	SIZE	A	