

- NOTES:
- REFER SHEET 2 FOR ASSEMBLED GRID (SHOWN FOR REFERENCE ONLY).
 - THE IDENTIFICATION PLATE DESIGNATED CODE TO BE MATCHED FOR THE 3 SEGMENTS OF THE REFLECTOR.

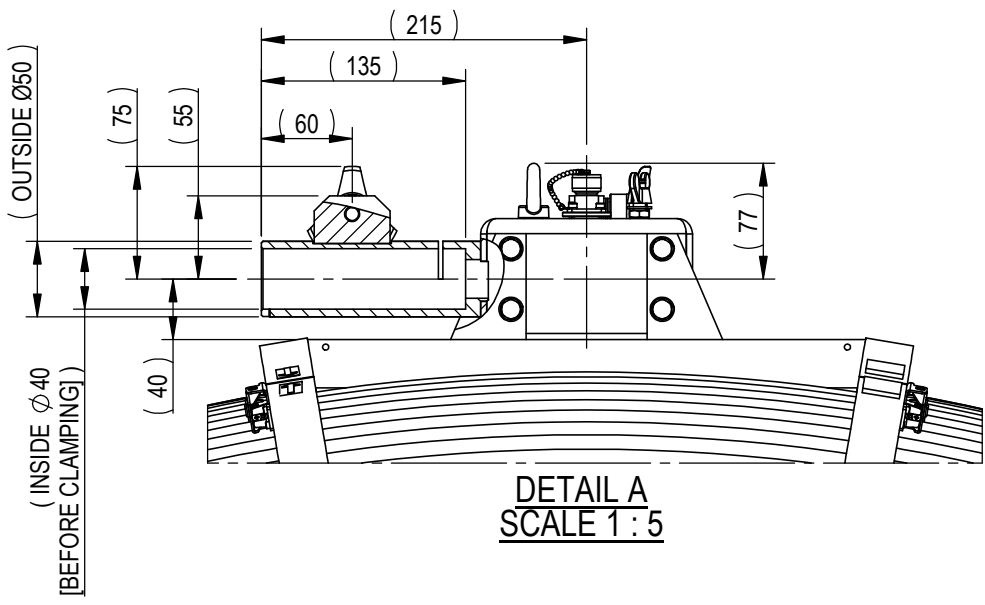
06.00014.001	APL4-T-N GRID ANTENNA
RFS PART No.	DESCRIPTION

					TOLERANCE GROUP (UNLESS NOTED OTHERWISE)	
					LINEAR	ANGULAR
					X = ±0.5	X° = ±1°
					XX = ±0.2	XX° = ±0.5°
					XXX = ±0.05	XXX° = ±0.25°
02	ECM20109	GJW	MMW	12/01/2017	 3RD ANGLE PROJECTION	
01	DF009.018.00	GJW	KJT	5/04/2012		
ISSUE	DESCRIPTION	DRAWN	APP.	DATE		

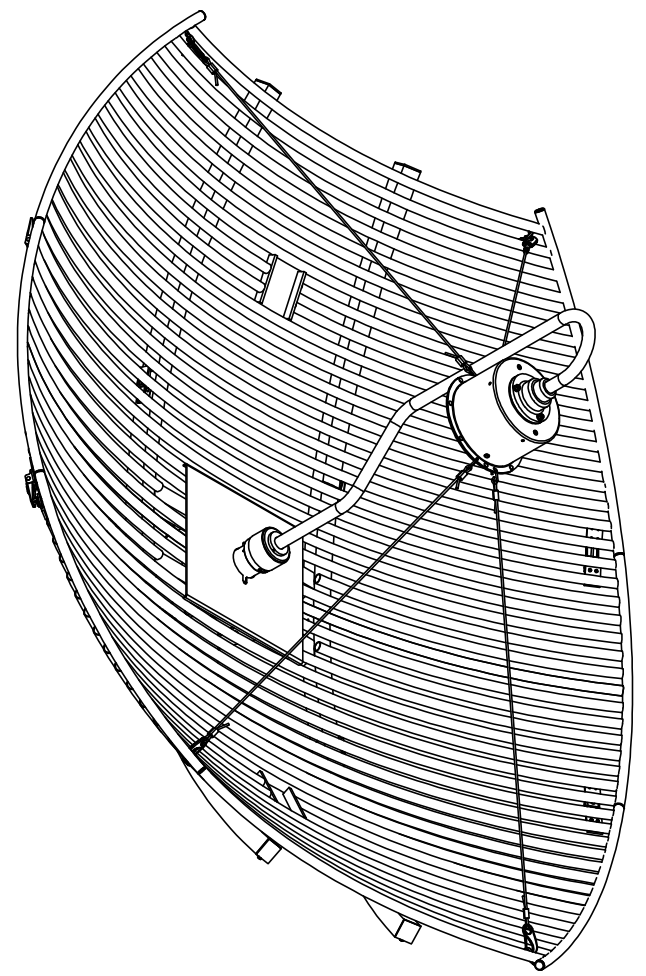
RFS RADIO FREQUENCY SYSTEMS
RFS Australia
© COPYRIGHT 2017

DRAWN	GJW
DATE	5/04/2012
DRG. CHECK	HJB
MECH. CHECK	AAF
ELEC. CHECK	KJT
APPROVED	KJT
- DIMENSIONS IN MILLIMETRES U.N.O. - DRAWING PRACTICES TO AS1100 - DO NOT SCALE - IF IN DOUBT ASK	

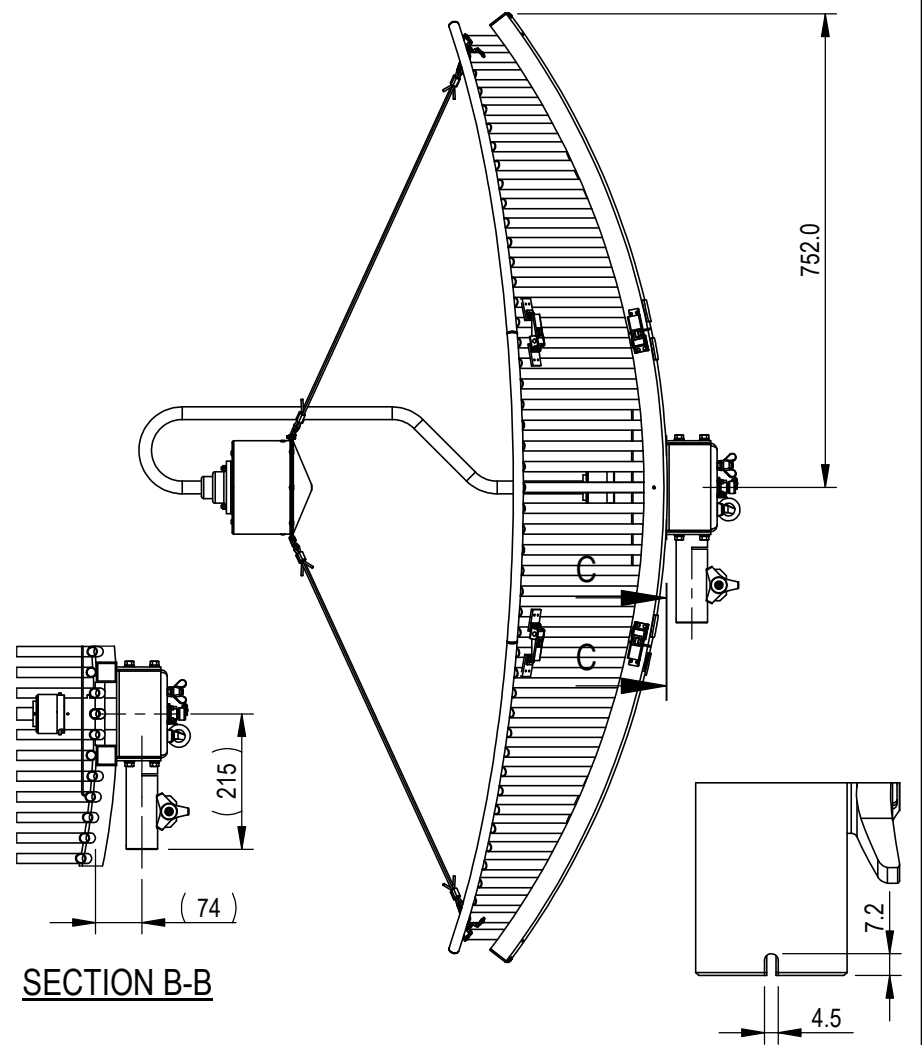
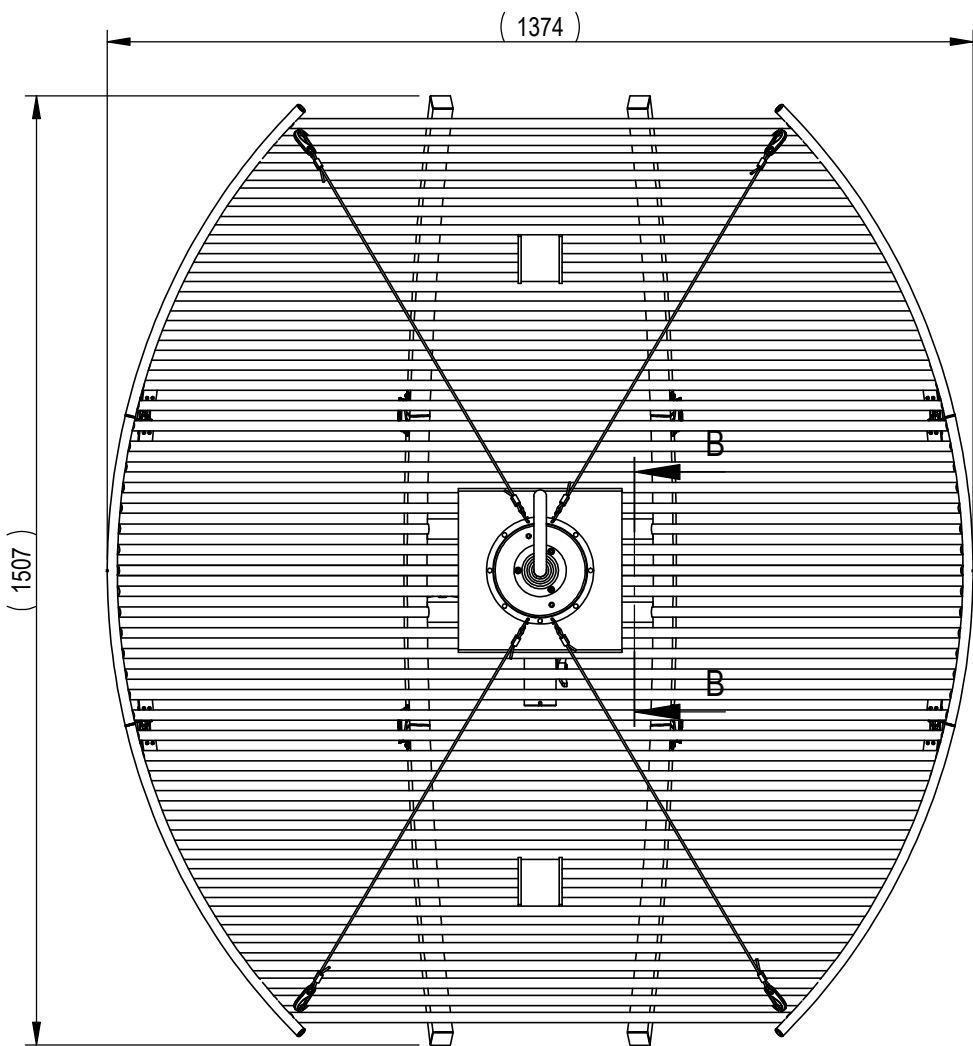
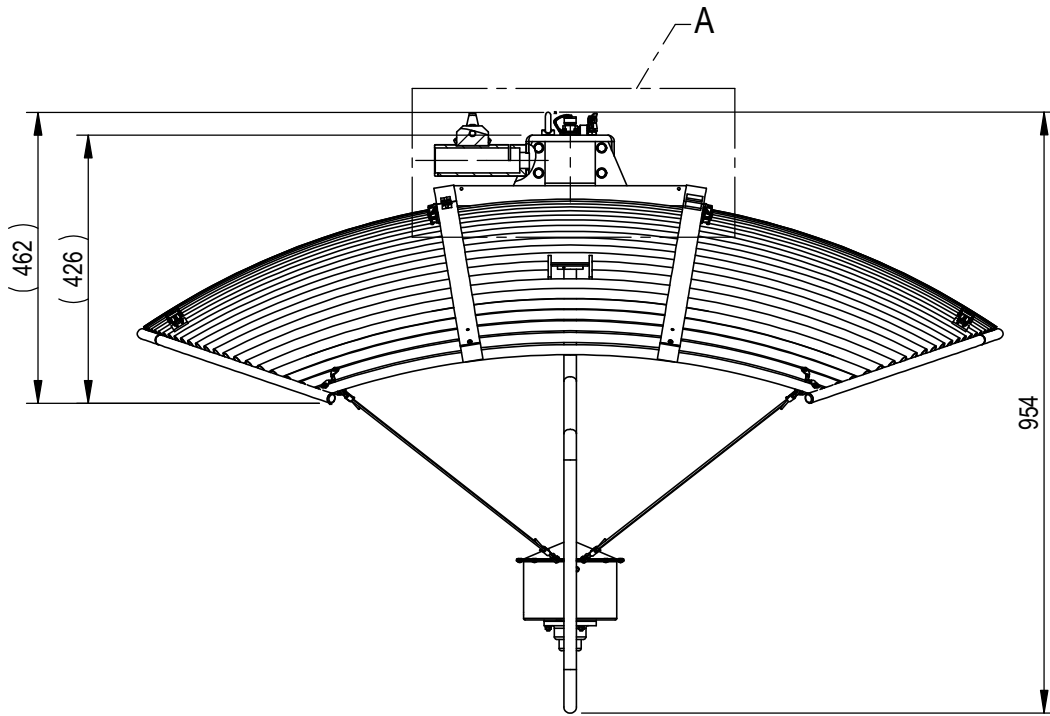
TITLE APL4-T GRID ANTENNA			
MATERIAL AS LISTED		FINISH CLEAN	
SCALE NTS	SHEET No. 1 OF 2	DRG No. 06.00014	A3



DETAIL A
SCALE 1:5



ISOMETRIC VIEW



SECTION B-B

SECTION C-C
SCALE 1:2.5

SHOWN ASSEMBLED - HORIZONTAL POLARISATION
REFERENCE ONLY

TOLERANCE GROUP (UNLESS NOTED OTHERWISE)				
LINEAR		ANGULAR		
X	= ±0.5	X°	= ±1°	 3RD ANGLE PROJECTION
XX	= ±0.2	XX°	= ±0.5°	
XXX	= ±0.05	XXX°	= ±0.25°	
ISSUE	DESCRIPTION	DRAWN	APP.	DATE
02	ECM20109	GJW	MMW	12/01/2017
01	DF009.018.00	GJW	KJT	5/04/2012



DRAWN	GJW
DATE	5/04/2012
DRG. CHECK	HJB
MECH. CHECK	AAF
ELEC. CHECK	KJT
APPROVED	KJT
<small>DIMENSIONS IN MILLIMETRES U.N.O. DRAWING PRACTICES TO AS1100 DO NOT SCALE - IF IN DOUBT ASK</small>	

TITLE				APL4-T GRID ANTENNA	
MATERIAL		FINISH			
SCALE	1:12	SHEET No.	2 OF 2	DRG No.	06.00014
					A3