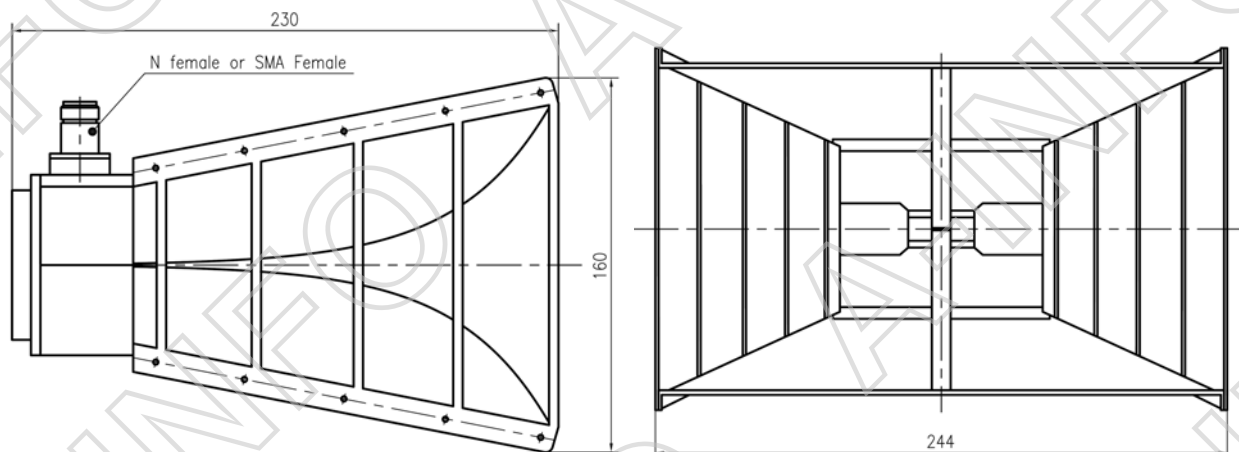


Technical Specification

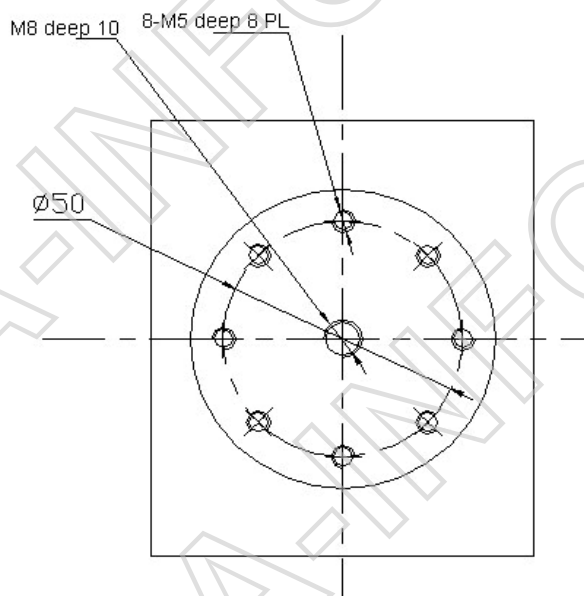


Frequency Range(GHz)	0.7 - 18.0	
Gain(dBi)	12 Typ.	
Polarization	Linear	
VSWR	2.0:1 Typ.	
Connector	N-F or SMA-F	
Power Handling(W)	N-F	300 Max. CW
	SMA-F	50 Max. CW
Size(mm)	244x160x230	
Net Weight(Kg)	1.5 Around	

Outline Drawing (Size: mm)

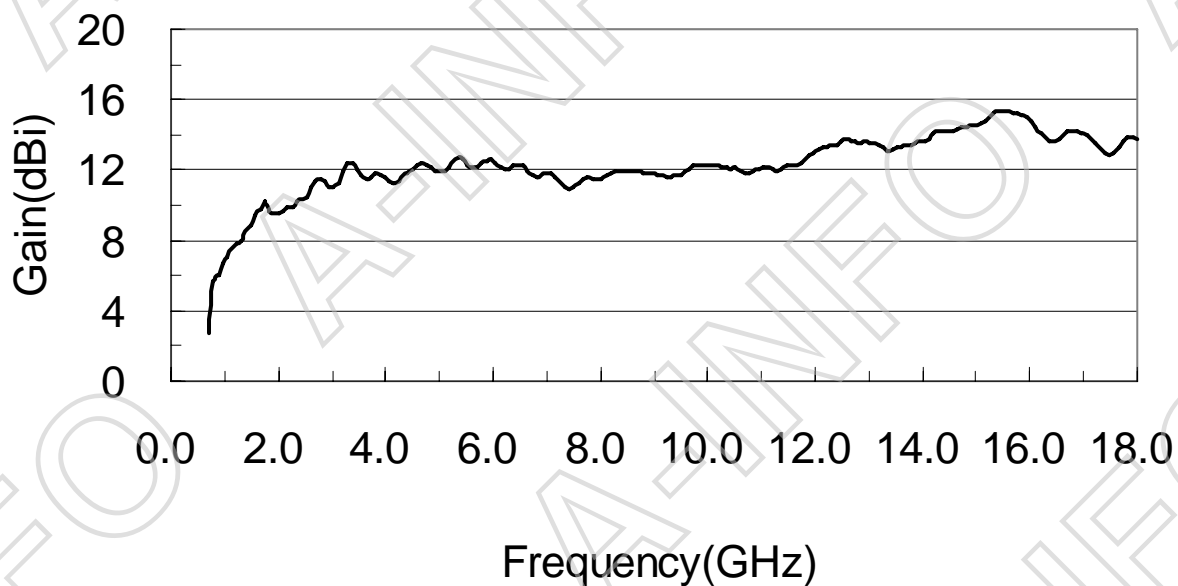


Mounting Flange

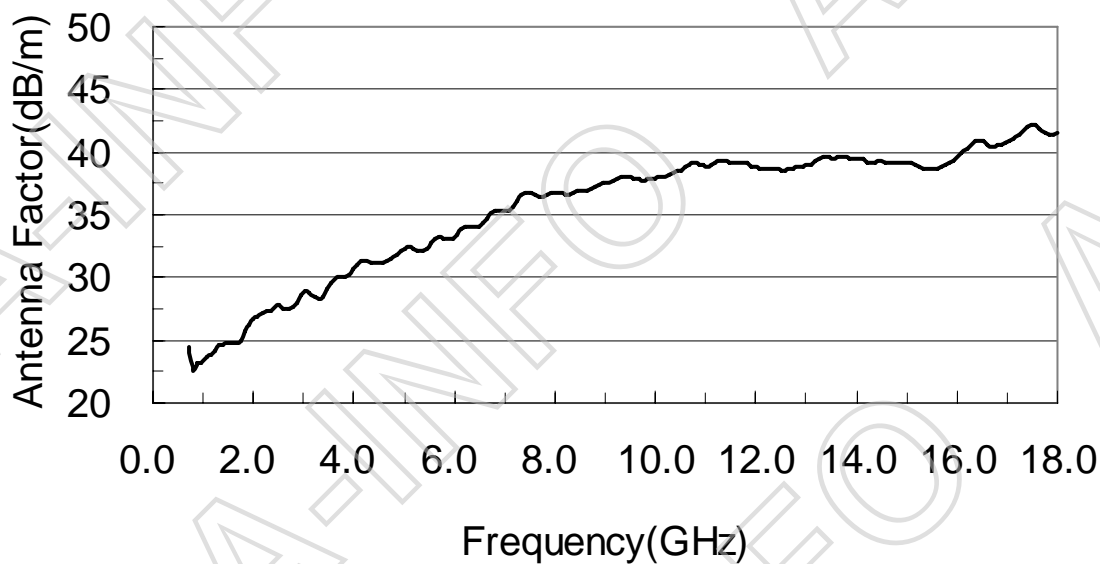


Test Results

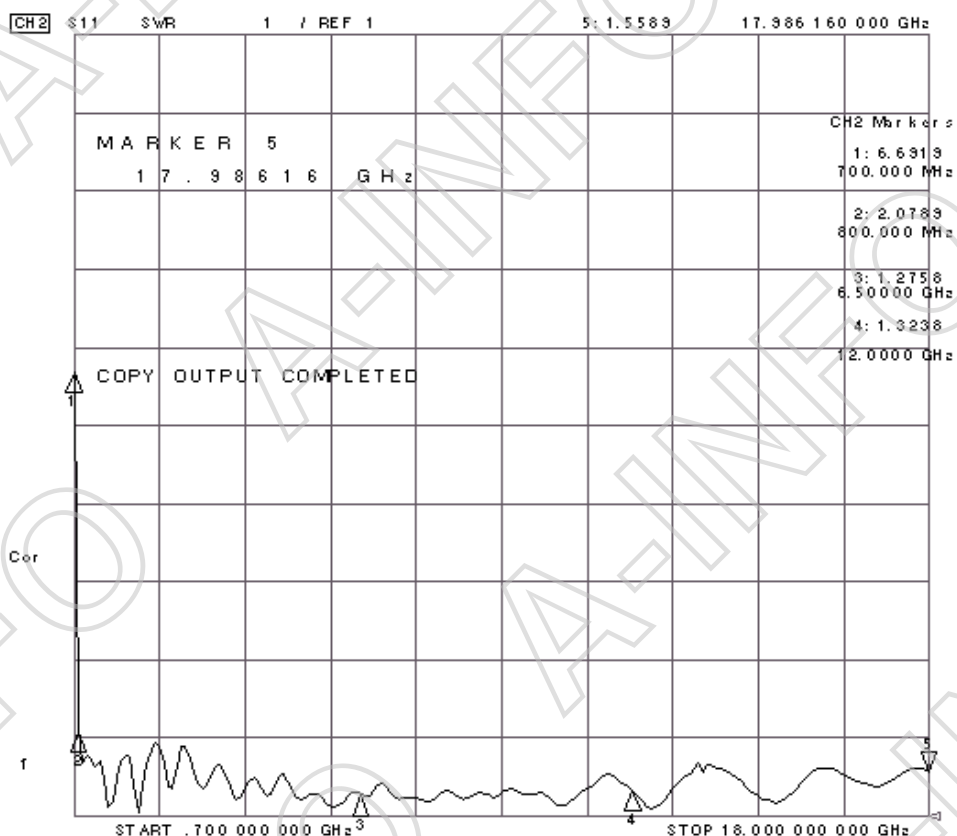
1. Gain at 3M



2. Antenna Factor at 3M



3. VSWR



4. Pattern

