

Train Antenna

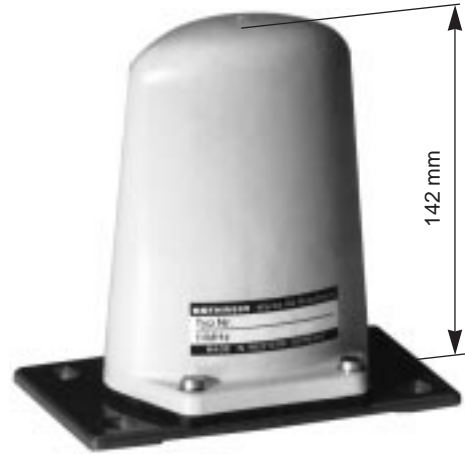
410 – 470 MHz

K 70 20 21

KATHREIN
Antennen · Electronic

- Low profile broadband antenna in fiberglass radome.

Type No.	K 70 20 21
Input	N-female
Frequency range	410 – 470 MHz
VSWR	< 1.5
Gain	0 dB (ref. to the quarter-wave antenna)
Impedance	50 Ohm
Polarization	Vertical
Max. power	170 Watt (at 50° C ambient temperature)
Weight	0.5 kg
Packing size	210 x 151 x 87 mm
Height	142 mm

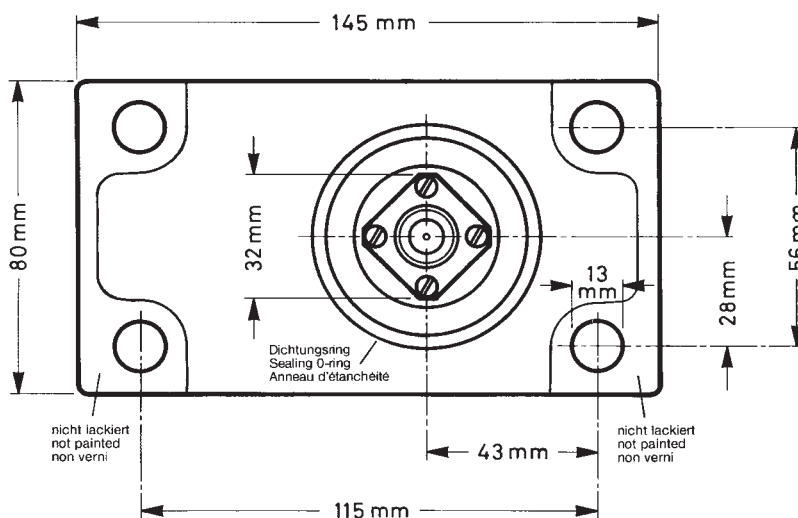


Material: Radiator and Flange: Aluminum.
Radome: Fiberglass, colour: Light grey.
All screws and nuts: Stainless steel.

Mounting: On a conductive surface with a minimum size of 50 x 50 cm by means of existing M10 studs.

Grounding and high voltage protection: This antenna approved by the "Deutsche Bahn AG" is D.C. grounded to protect against lightning and high tension lines.

Mounting flange:



Mounting hole for the connector: 33 (max. 35) mm diameter.

Note: Keep mounting surface clear of paint for electrical contact.

936.005/b Subject to alteration.