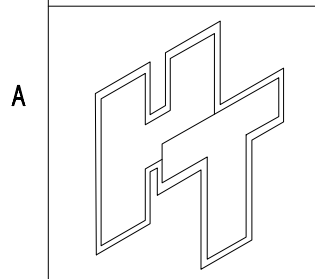
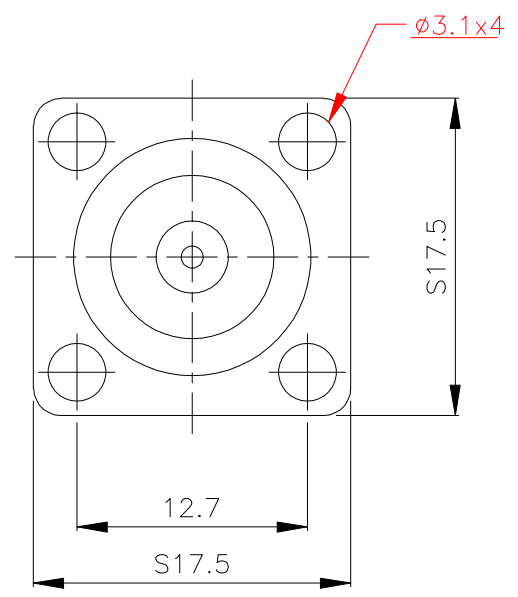
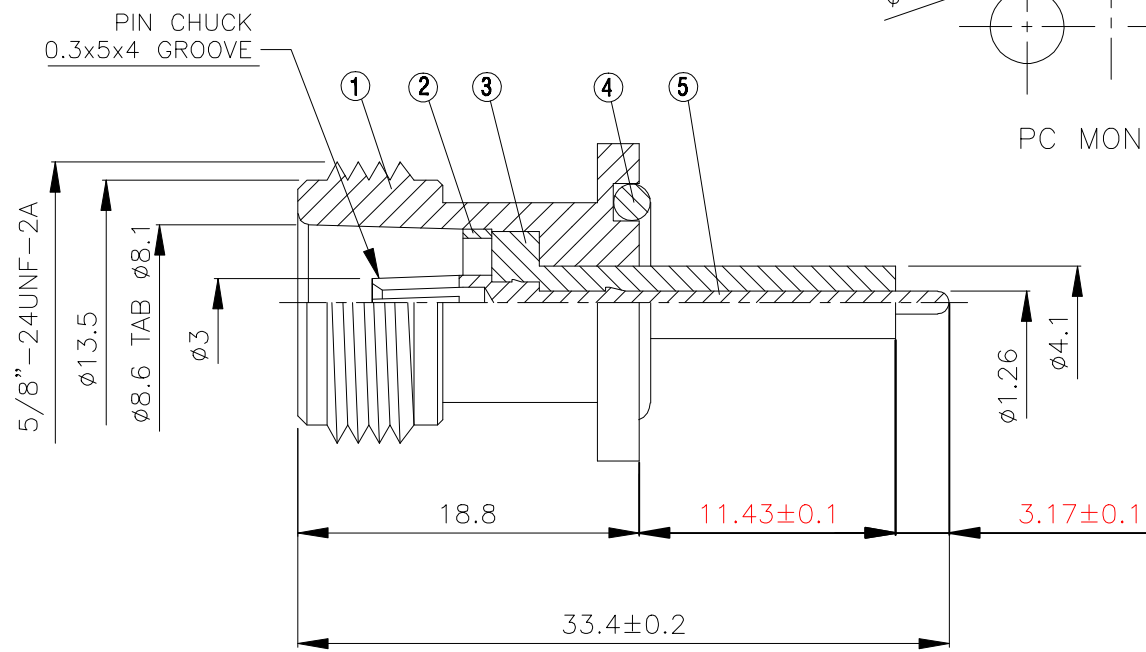
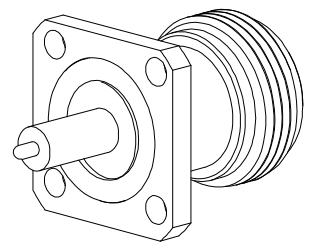
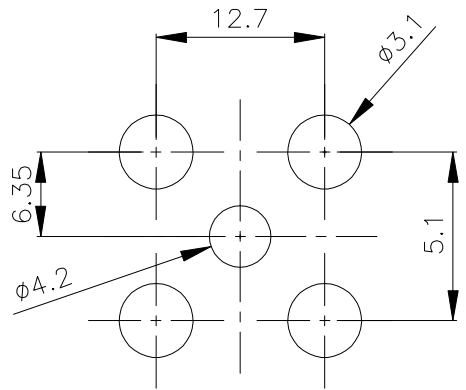


NO	DESCRIPTION	MATERIAL	Q'TY	FINISH	REMARK
1	BODY	BRASS	1	NICKEL	B-N0403-N
2	WASHER	BRASS	1	NICKEL	W-0036-N
3	INSULATION 1	TEFLON	1	TEFLON	I-0748T
4	GASKET	SI RUBBER	1	RUBBER	RU-0016
5	PIN	BRASS	1	GOLD	P-N1134-G



HUS-TSAN GROUP CO., LTD.
P.O.BOX 40-76.TAINAN.TAIWAN,R.O.C.
TITLE N PANEL FEMALE RECEPTACLE
PART NO. N-22V13-TGN
DRAWING NO. N 22V13 TGN

DRAWN 蘇姿潔 **DATE** 100.05.06
CHECKED 蘇志欣 **DATE**
Q.A. 莊千慧 **DATE**
APPROVAL 徐燦霖 **DATE**
REVISION **DATE**

DIMENSIONS ARE IN MILLIMETERS
UNLESS OTHERWISE SPECIFIED TOLERANCE
0.5-5=±0.2 120-315=±1
5-30=±0.4 315-1000=±1.6
30-120=±0.6 1000-2000=±2.4
SCALE 4:1 **SIZE** A

REVISION	
DESCRIPTION	ENGINEER

4 3 2 1

D

C

B

A

4 3 2 1