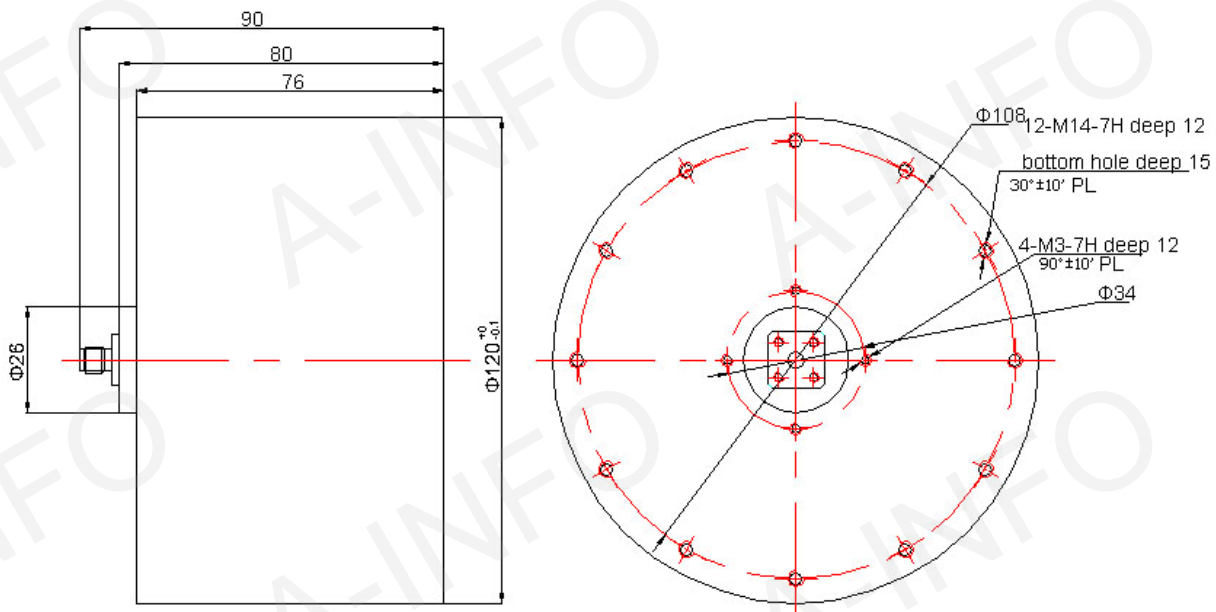


Technical Specification



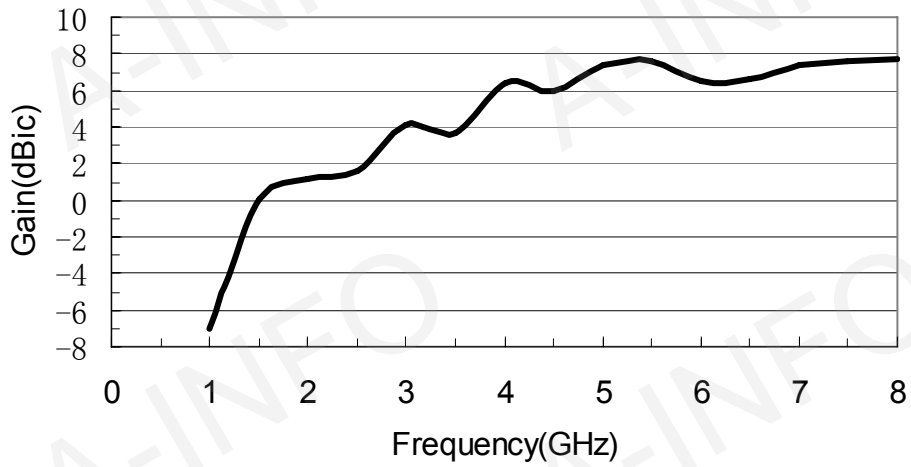
Polarization	LHCP or RHCP
Frequency Range(GHz)	1 - 8
Gain(dBic)	-6.98 @1GHz
	7.67 @8GHz
Axial Ratio(dB)	3 Max
3dB Beamwidth(deg)	E: 115 - 70
	H: 110 - 60
VSWR	1.5 : 1Typ.
	2.0 : 1 Max
Connector	SMA-Female
Size(mm)	Φ120x 90
Net Weight(Kg)	0.87 Around

Outline Drawing and Mounting

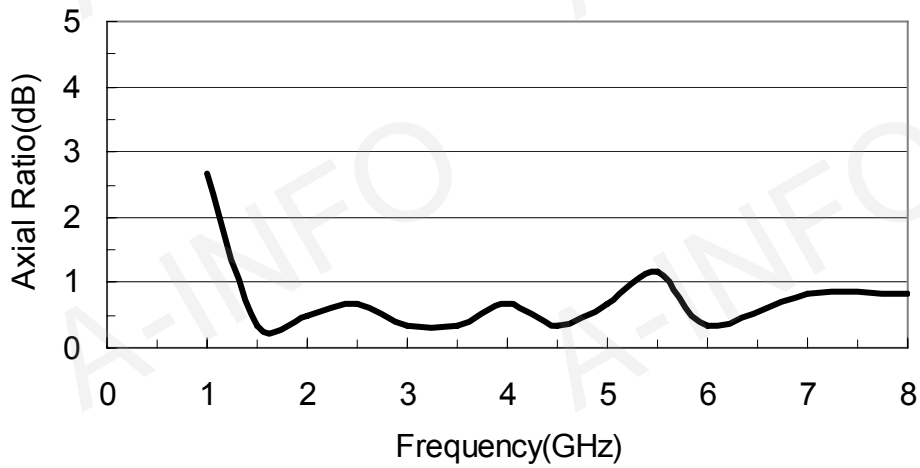


Test Results

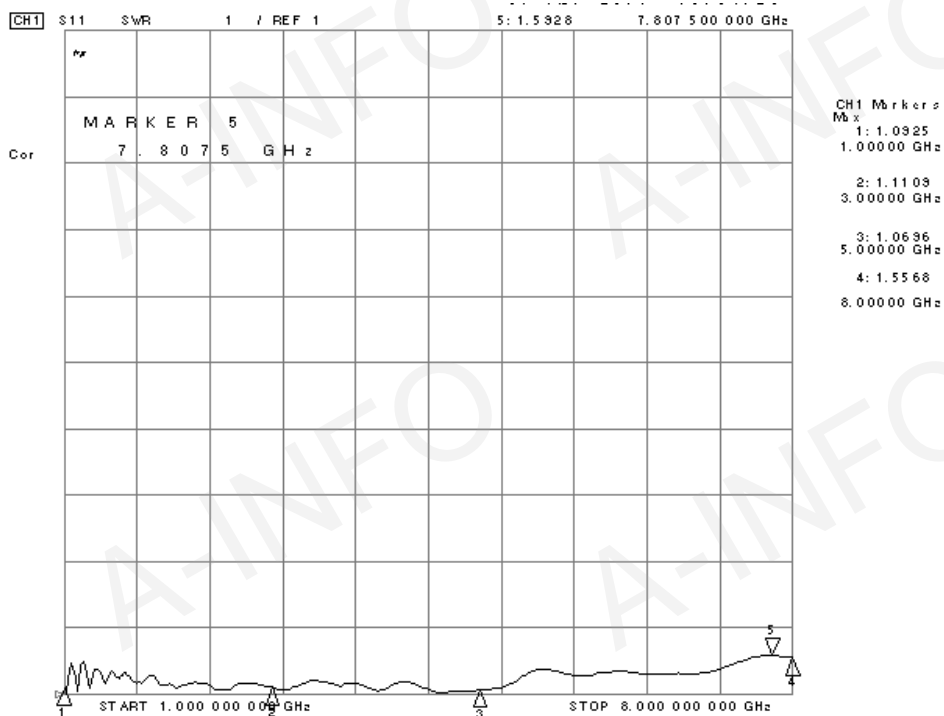
1. Gain



2. Axial Ratio



3. VSWR



4. Pattern

