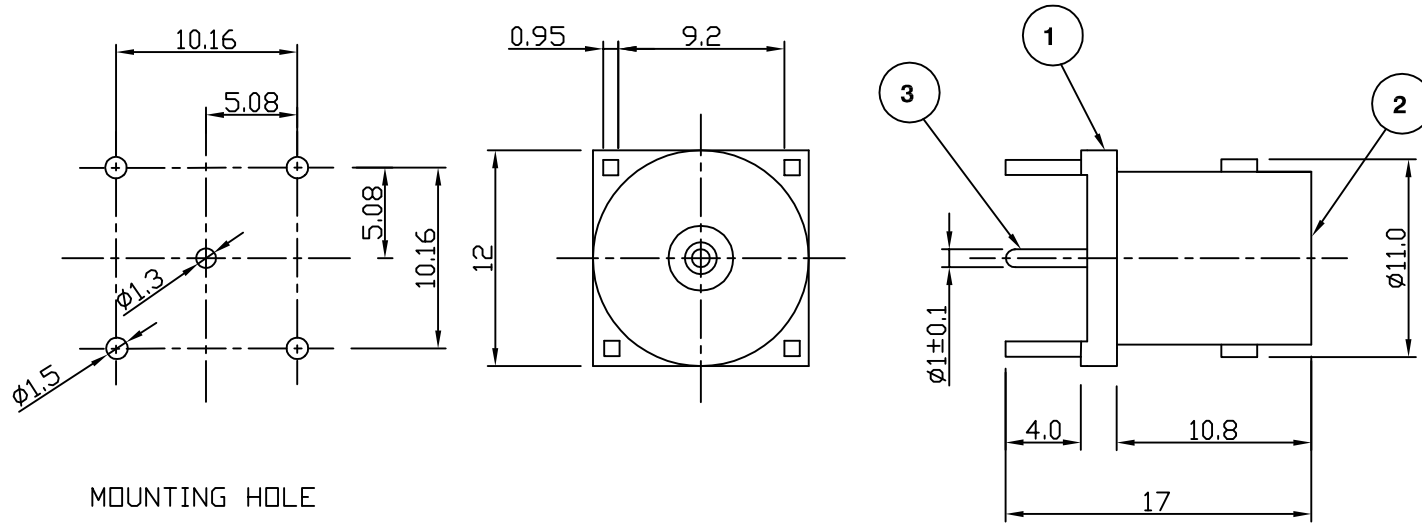


RoHS COMPLIANT



**Electrical Characteristics**

Nominal Impedance:	50 ohms
Frequency Range:	DC to 4 GHz
VSWR:	1.3:1 maximum
Insertion Loss:	0.2 dB at 4 GHz
Operating Voltage (rms):	500 V maximum at sea level
Dielectric Withstand Voltage (rms):	1500 V maximum at sea level
Contact Resistance:	3.0 milliohms maximum
Insulation Resistance:	5000 megohms minimum

**Mechanical Characteristics**

Mating Cycles:	500 cycles minimum
Interface Dimensions:	Conform to MIL-C-39012

**Environmental Characteristics**

Temperature Range:	-65 °C to +165 °C
--------------------	-------------------

	PART	DESCRIPTION
1	Body	Brass, silver plated
2	Dielectric	PTFE
3	Contact	Brass, gold plated

Drawing Update	JT	3	12 Mar 10
CAD Issue	SN	2	04 Feb 02
First Issue	AT	1	20 Nov 96
DESCRIPTION OF REVISION	APPVD	ISS	DATE



**Connectivity Solutions**  
 7-13 Russel Way,  
 Widford Industrial Estate,  
 Chelmsford, Essex,  
 CM1 3AA, UK.  
 Tel: +44 (0) 1245 359515  
 Fax: +44 (0) 1245 358938

SCALE: Not To Scale	DRAWN BY: S Nash
DIMENSIONS: mm	CHECKED BY: S Nash
TOLERANCES: ± 0.2mm unless otherwise stated	APPROVED BY: M Nielsen
	DATE: 04 Feb 02

TITLE:  
**BNC Vertical PCB Mount Jack**

PART NUMBER:  
**VB336**

PAGE: 1 of 1