



7/8" EIA Connector for 1/2" Coaxial Cable, RAPID FIT™ Sealing compound

Radio Frequency Systems' line of high performance coaxial cable connectors are designed specifically to provide the highest quality connector-cable interface while simplifying and speeding up the attachment of connectors to CELLFLEX® coaxial cables. RFS connectors are fully tested for mechanical and electrical compliance specifications. They are available in all popular cable sizes in a variety of mating interfaces. To join two cables with EIA connectors, two identical socket connectors are installed on either end of the cables to be joined, and a coupling element is used to make the connection of the center conductor. The coupling element must be ordered separately. Connectors are available in sizes matching the nominal cable size. EIA connectors provide optimal power handling for the complete transmission line system.



RAPID FIT™ Connectors

FEATURES / BENEFITS

- Single-piece design for Fast and Easy Installation
Reliable and simple attachment avoids unnecessary connector adjustments and provides outstanding performance every time. Saves time and provides cost savings.
- Robust Mechanical Design
Low and consistent intermodulation performance guarantees outstanding system sensitivity.
- Excellent Electrical Performance
Consistent and repeatable low VSWR improves overall system performance and margin and reduces mismatch losses
- Totally Waterproof according to IP68
Assures safe, long term operation in the harshest of environments.

Technical Features

GENERAL SPECIFICATIONS

Transmission Line Type		Coaxial Cable
Cable Size		1/2"
Cable Type		Foam Dielectric
Connector Interface		7/8" EIA
Connector Type		RAPID FIT™
Sealing Method		Sealing compound ¹)
Gender		None

ELECTRICAL SPECIFICATIONS

3rd Order IM Product @ 2x20 Watts	dBc	<-156
Maximum Frequency	GHz	3.7
VSWR, Return Loss	VSWR (dB)	0 < f ≤ 1.0 GHz: 1.02 (40.1) 1.0 < f ≤ 2.7 GHz: 1.03 (36.6) 2.7 < f ≤ 3.7 GHz: 1.06 (30.7)

MECHANICAL SPECIFICATIONS

Plating Outer/Inner		Silver/Silver
Length	mm (in)	85 (3.4)
Outer Diameter	mm (in)	57.2 (2.3)
Weight	kg (lb)	0.28 (0.62)
Inner Contact Attachment		Self Tapping
Outer Contact Attachment		Spring Finger

ACCESSORIES

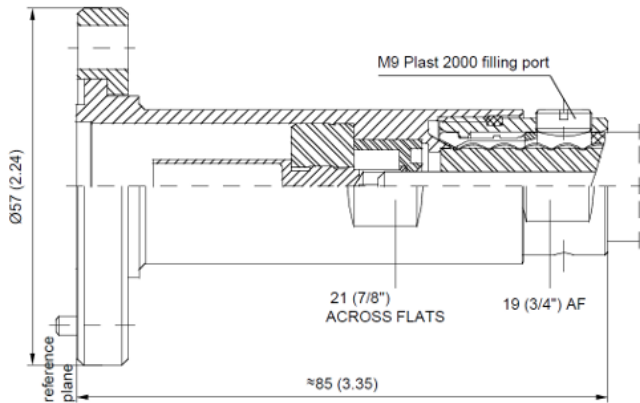
Wrench size front	mm (in)	21 (7/8")
Wrench size rear	mm (in)	19 (3/4")
Trimming Tool		TRIM-SET-L12-D01 but with special handling

TESTING AND ENVIRONMENTAL

Waterproof Level		IP68
Sealing Volume	cm ³ (ounces)	5 (0.18)



7/8" EIA Connector for 1/2" Coaxial Cable, RAPID FIT™ Sealing compound



Dimensions in mm

External Document Links

Installation Instruction

Notes

1) The sealing compound must be ordered separately.