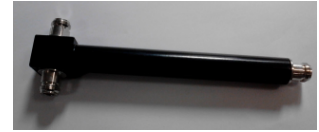




## 2 Way Power Divider

This PDS\*I series are Power Splitters, designed to evenly split high power cellular signals with minimal reflections or loss. They are specified to cover 698- 2700 MHz. The wide frequency ranges of these models allow use with multiband antennas and leaky cable systems. With few solder joints and an air dielectric, the loss is minimal and reliability enhanced.



PDS2I-698/2700

### FEATURES / BENEFITS

- Multiple-Band Frequency Ranges
- 200 Watt Power Rating
- High Reliability
- Low Cost Design for Indoor Application
- Low Specified PIM
- N-female Connectors

### Technical Features

#### STRUCTURE

Product Type		Power Divider
Techn. Application		Indoor
Number of Input Ports		1
Number of Output Ports		2
Connectors		N-female

#### ELECTRICAL SPECIFICATIONS

Frequency Range	MHz	698 - 2700
Impedance	Ohm	50
Max. VSWR / Return Loss	VSWR/dB	1.30/17.7
Split Loss	dB	3.3
Intermodulation (IM3)		-150 dBc with 2x43 dBm tones
Total Input Power	W	200

#### TEMPERATURE SPECIFICATIONS

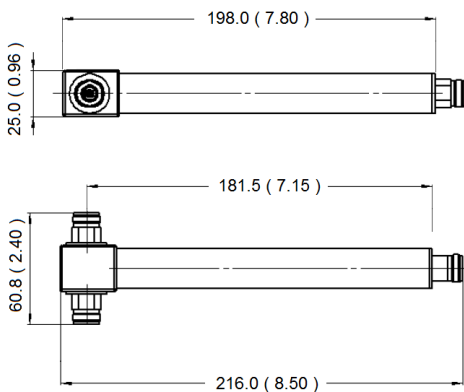
Temperature Range	°C (°F)	-25 to +65 (-13 to +149)
-------------------	---------	--------------------------

#### MECHANICAL SPECIFICATIONS

Height (Less Connectors)	mm (in)	25 (0.98)
Width (Less Connectors)	mm (in)	25 (0.98)
Length (Less Connectors)	mm (in)	198 (7.8)
Weight	kg (lb)	0.24 (0.53)

#### TESTING AND ENVIRONMENTAL

Environmental Class		IP65
---------------------	--	------



Dimensions mm(inch)



## 2 Way Power Divider

External Document Links	Notes