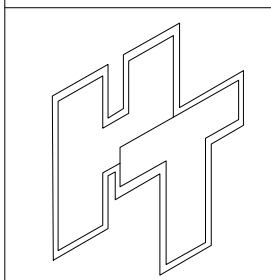
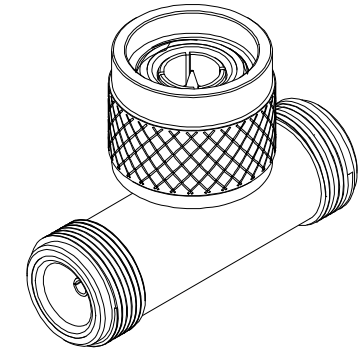
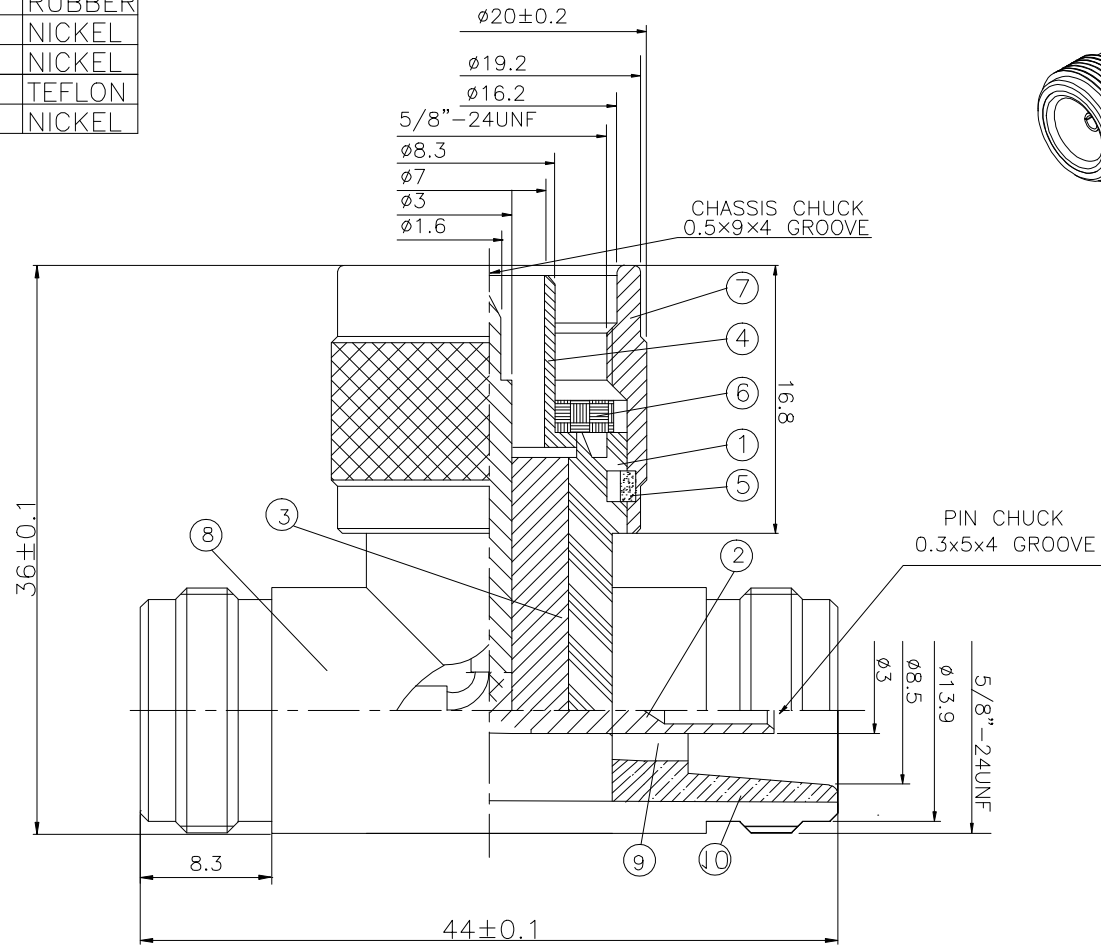


NO	DESCRIPTION	MATERIAL	Q'TY	FINISH
1	BODY 1	BRASS	1	NICKEL
2	PIN	BRASS	1	GOLD
3	INSULATION	TEFLON	1	TEFLON
4	CHASSIS	BRASS	1	NICKEL
5	WASHER	BRASS	1	NICKEL
6	GASKET	SI RUBBER	1	RUBBER
7	SHELL	BRASS	1	NICKEL
8	BODY 2	BRASS	2	NICKEL
9	INSULATION	TEFLON	2	TEFLON
10	CHASSIS	BRASS	2	NICKEL



HUS-TSAN GROUP CO., LTD.
P.O. BOX 40-76.TAINAN.TAIWAN,R.O.C.
TITLE N ANGLE MALE - FEMALE ADAPTOR
PART NO. N-10-TGN
DRAWING NO. N 10 TGN

DRAWN MARY **DATE** 96.06.04
CHECKED 蘇志欣 **DATE**
Q.A. 蘇姿潔 **DATE**
APPROVAL 徐燦霖 **DATE**
REVISION **DATE**

DIMENSIONS ARE IN MILLIMETERS
UNLESS OTHERWISE SPECIFIED TOLERANCE
0.5-5 = ± 0.2 120-315 = ± 1
5-30 = ± 0.4 315-1000 = ± 1.6
30-120 = ± 0.6 1000-2000 = ± 2.4
SCALE 4:1 **SIZE** A

REVISION	
DESCRIPTION	ENGINEER

4

3

2

1

D

D

C

C

B

B

A

A