

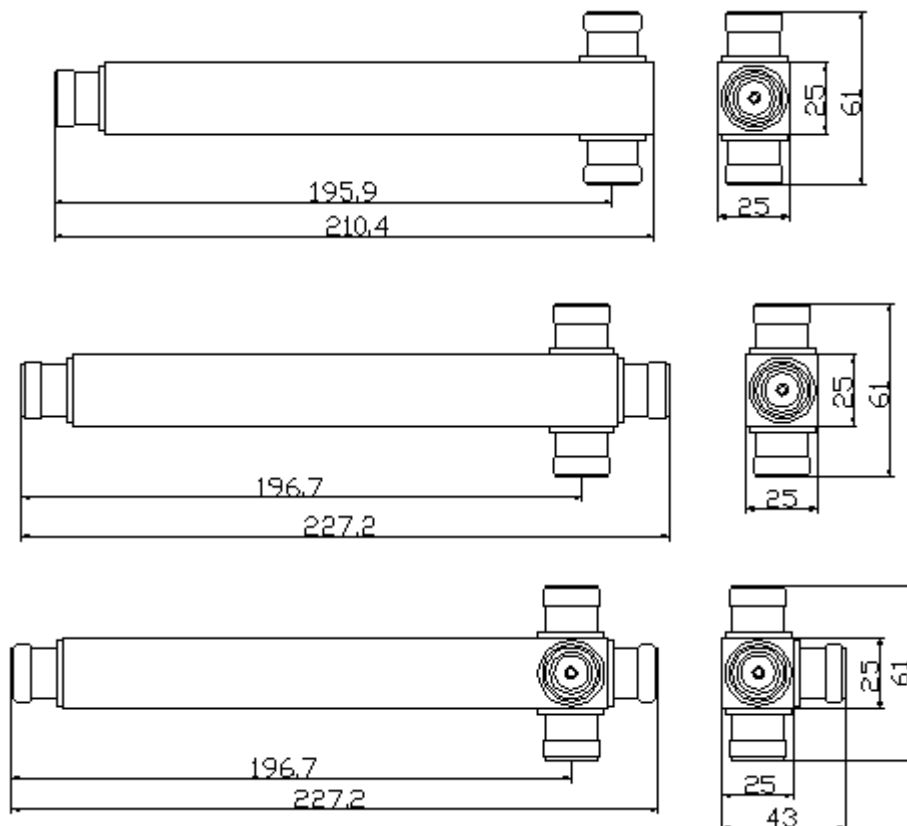


4.3/10(DIN)型腔体大功率(300W)功分器规格书(698-2700MHz):

Specifications of 4.3/10(DIN) Type High Power(300W) Air-line Dielectric Type Power Splitter(698-2700MHz):

Item	Specification		
Model	PS-727-300-2C43DI	PS-727-300-3C43DI	PS-727-300-4C43DI
Frequency Range (MHz)	698-2700		
Split (dB)	2	3	4
Split Loss (dB)	3	4.8	6
VSWR	1.20	1.25	1.35
Insertion loss (dB)	0.25	0.35	0.45
Intermodulation (dBc)	-160dBc@2x43dBm		
Power Rating (W)	300		
Impedance (Ω)	50		
Connector	4.3/10(DIN) Female		
Temperature Range ($^{\circ}$ C)	-35 ~ 85		
Applications	Indoor/Outdoor , IP65 , RoHS Compliant		

Product Picture & Drawing



Notice: The picture is only for reference, please make the object as the standard.

