



**CELLFLEX® Coaxial Cable  
Universal Trimming Tool**

**User Manual**

2800123-C  
TRIM-U-14-78

Trimming Tool for Preparation of Cables 1/4", 3/8", 1/2", 7/8"

This tool is foreseen for the preparation of RF cables 1/4", 3/8", 1/2" and 7/8" before and during installation of the connectors.  
It can be only used for the a.m. function.

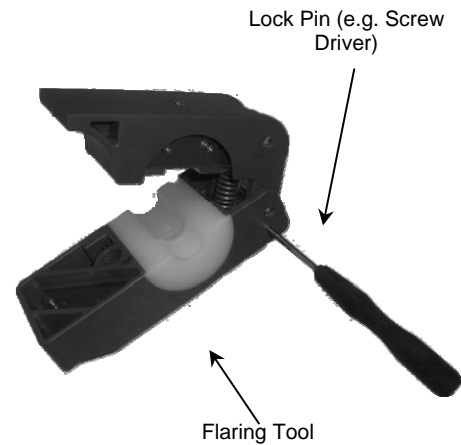
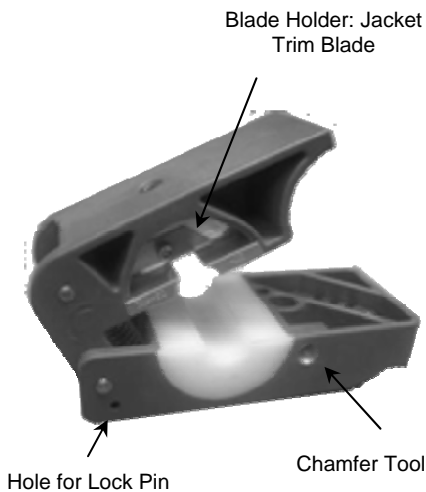
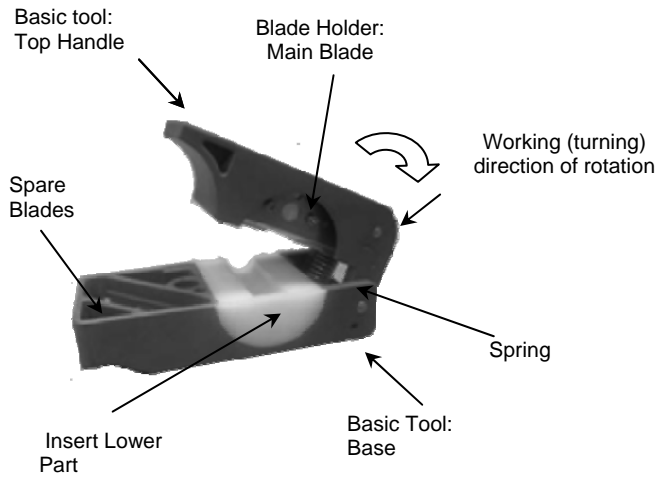
These instructions are written for qualified and experienced personnel. Please study them carefully before starting any work. Any liability or responsibility for the results of improper or unsafe installation practices is disclaimed. Please respect valid environmental regulations for assembly and waste disposal. Always make sure to use appropriate personal protection!



**Safety precaution: Sharp blade - Risk of injury => Protective gloves required**



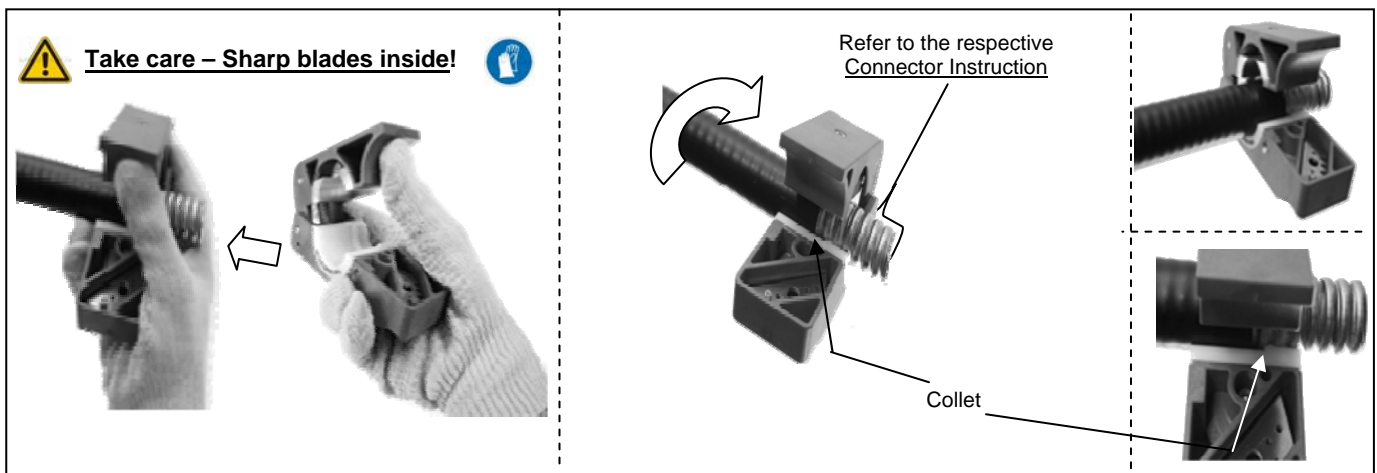
**Main Parts of the Universal Trimming Tool**





### How to insert the cable into the tool?

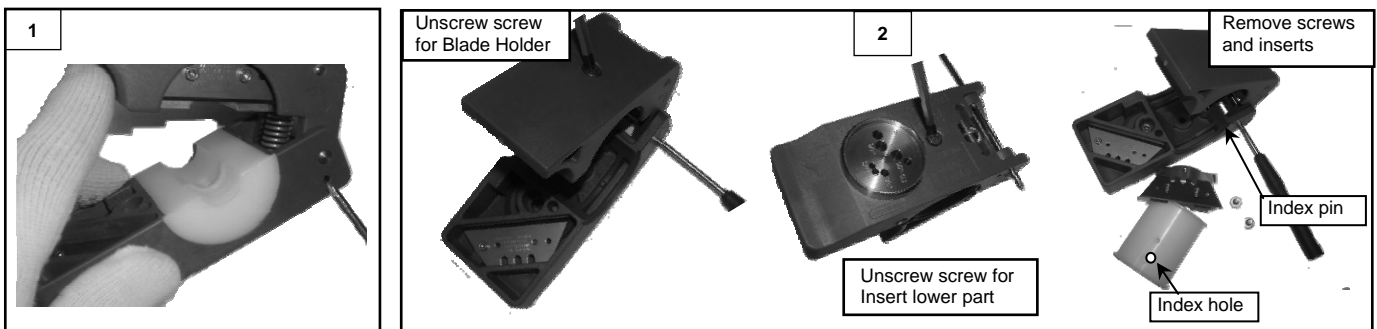
- Insert cable into trimming tool as shown in the below pictures.
- Exact position of the cable is described in the Installation of the respective connector.
- Position collet guide of trimming tool in the first corrugation nearest to the trimmed cable jacket.
- The cable also fits properly to the complete base of the tool.
- Direction of rotation for trimming work as shown in the picture



Pictures show installation on cable LCF78-50

### How to change the Insert Kit?

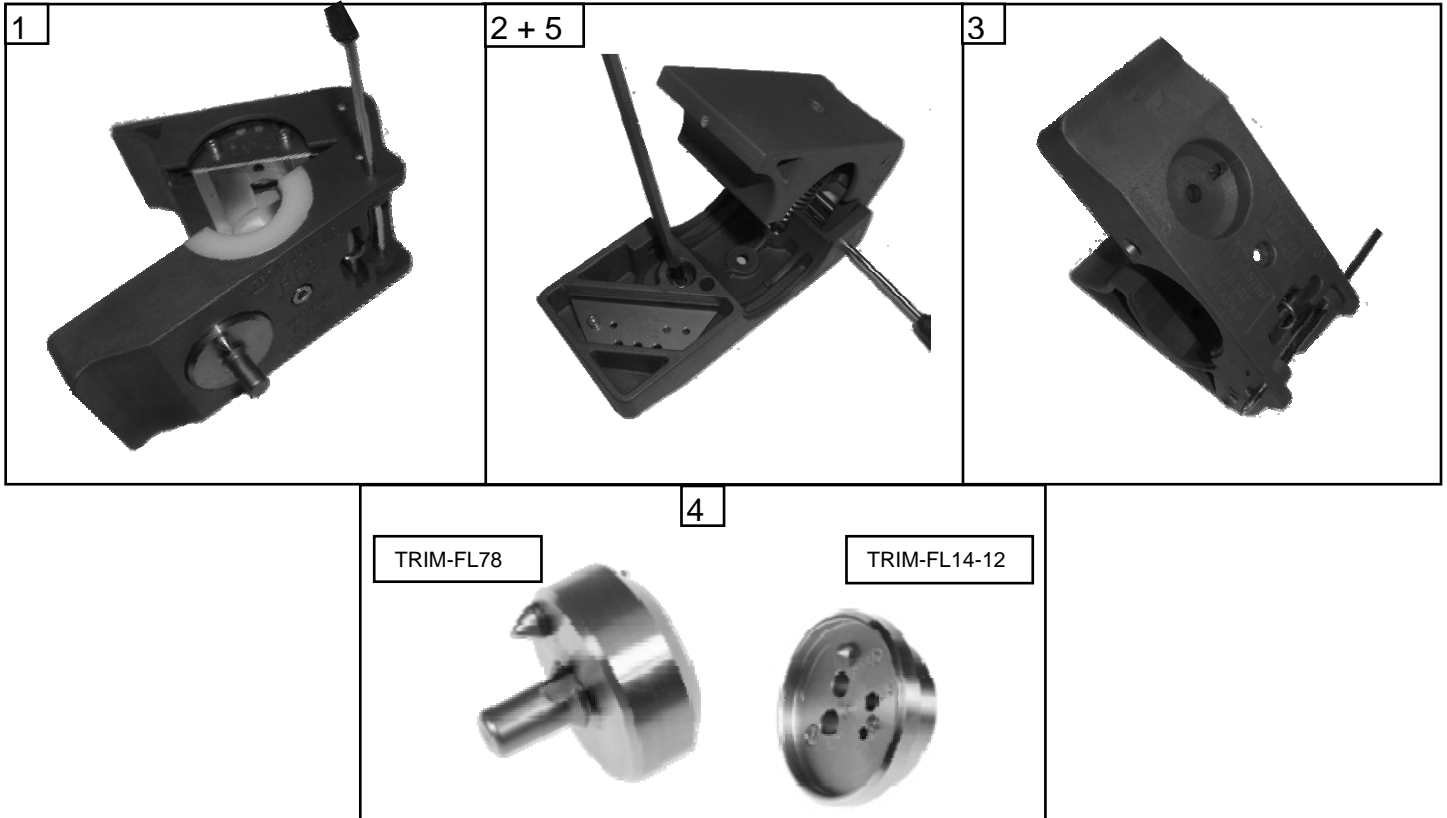
1. Open the tool and lock it by inserting a suitable lock pin, e.g. screw driver
2. Unscrew screws and remove inserts  
Place new inserts in tool, make sure index hole in Insert lower part and index pin are aligned, tighten the screws





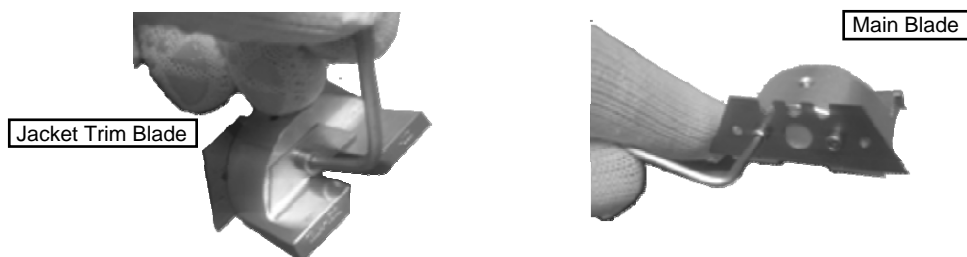
### How to change the Flaring Tool?

1. Open the tool and lock it by inserting a lock pin, e.g. screw driver
2. Unscrew and remove the screw in the Base of the tool
3. Remove the Flaring Tool
4. Insert the adequate Flaring Tool
5. Tighten, with precaution, the screw in the Base



### How to replace the Blade?

1. Remove Blade Holder from tool Refer for details under "Change of the Insert Kit"
2. Unscrew and remove screws and change blade
3. Re-place Blade Holder in tool





**CELLFLEX® Coaxial Cable  
Universal Trimming Tool**

**User Manual**  
2800123-C  
TRIM-U-14-78  
Trimming Tool for Preparation of Cables 1/4", 3/8", 1/2", 7/8"

**Available Insert Kits and Spare Blades**

Cable Size	Model Name of Insert Kit	For Installation of Connectors	Availability
LCF14-50	TRIM-IL14-D01	OMNI FIT Premium D01	Q1/2011
SCF14-50	TRIM-IS14-D01	OMNI FIT Premium D01	Q2/2011
SCF38-50	TRIM-IS38-D01	RAPID FIT 070/072 OMNI FIT Premium D02	Q2/2011
LCF12-50	TRIM-IL12-D01	RAPID FIT 060/062	Q1/2011
		RAPID FIT 070/072	
OMNI FIT Standard B32			
	TRIM-IL12-C02	OMNI FIT Premium D01	March. 2011
		OMNI FIT Standard C02	
SCF12-50	TRIM-IS12-D01	RAPID FIT 060/062	Q1/2011
		RAPID FIT 070/072	
		OMNI FIT Premium D01	Q1/2011
	TRIM-IS12-C02	OMNI FIT Standard C02	
LCF78-50	TRIM-IL78-C02	OMNI FIT Standard B32	Q1/2011
		OMNI FIT Standard C02	
	TRIM-IL78-D01	RAPID FIT 060/062	
		RAPID FIT 070/072	
		OMNI FIT Premium D01	
Kit of Spare Blades (Main Blade)	TRIM-B30		Q1/2011