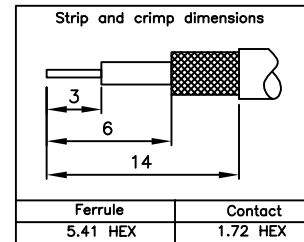
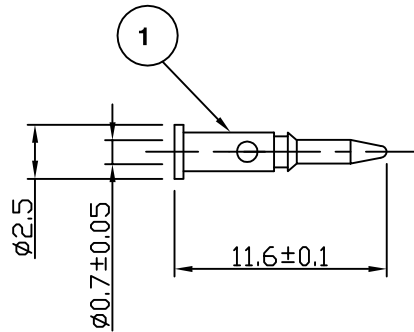
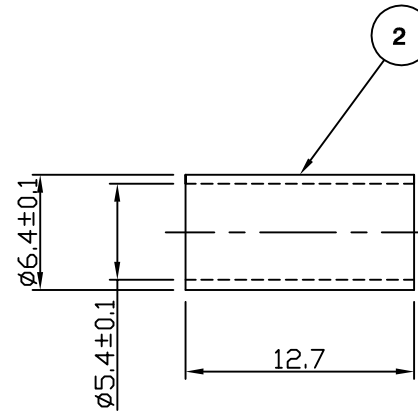
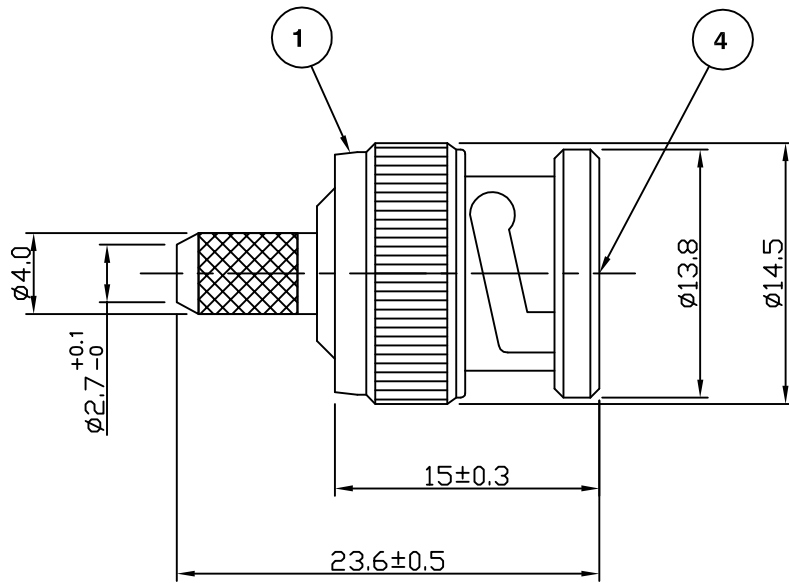


RoHS COMPLIANT



For stripping and assembly instructions see Drawing Number: VAIB1101

Electrical Characteristics

Nominal Impedance:	75 ohms
Frequency Range:	DC to 1 GHz
VSWR:	1.3:1 maximum
Insertion Loss:	0.1 dB at 1 GHz
Operating Voltage (rms):	500 V maximum at sea level
Dielectric Withstand Voltage (rms):	1500 V maximum at sea level
Contact Resistance:	1.5 milliohms maximum
Insulation Resistance:	5000 megohms minimum

Mechanical Characteristics

Mating Cycles:	500 cycles minimum
Interface Dimensions:	Conform to MIL-C-39012

Environmental Characteristics

Temperature Range:	-65 °C to +165 °C
--------------------	-------------------

PART	DESCRIPTION
1	Body Brass, nickel plated 2.54 μ m
2	Ferrule Brass, nickel plated 2.54 μ m
3	Contact Brass, gold plated 0.076 μ m - 0.127 μ m
4	Dielectric PTFE

Measurement update	KA	3	13 Aug 07
CAD Issue	SN	2	21 Jan 02
First Issue	AT	1	18 March 97
DESCRIPTION OF REVISION	APPVD	ISS	DATE

Connectivity Solutions
7-13 Russell Way,
Widford Industrial Estate,
Chelmsford, Essex,
CM1 3AA, UK.
Tel: +44 (0) 1245 359515
Fax: +44 (0) 1245 358938

SCALE: Not To Scale	DRAWN BY: S Nash
DIMENSIONS: mm	CHECKED BY: S Nash
TOLERANCES: ± 0.2 mm unless otherwise stated	APPROVED BY: M Nielsen
	DATE: 21 Jan 02

TITLE:
BNC Crimp Plug for BT2002

PART NUMBER:
VB10-2075

PAGE: 1 of 1