



Cold shrink tube, 1-1/4" to 1-1/4", 1-1/4" to 1-5/8", 1-5/8" to 1-5/8"

Product Description

RFS cold shrink tubes provide an additional sealing of feeder connections. With the included foam strips a sealing class IP68 is guaranteed even with scratches on the jacket surface. The materials are selected for a long-term outdoor use.



Features/Benefits

RFS offers a timesaving and easy way to secure a waterproof protection. No tools are necessary for installation. The shrinking process is done by simply unwinding a removable core.

Technical Specifications

Product Line	Coaxial Cable Accessories
Product Type	Weather Seal Kit
Coaxial Cable Type	Foam Dielectric
Mated to Cable Size and Interface	1-1/4" to 1-1/4", 1-1/4" to 1-5/8", 1-5/8" to 1-5/8", up to and including 7-16 DIN connectors
Color	Black
Material	Cold shrink tube: Made of EPDM rubber Foam strips: Made of self bonding Foam PE
Sealing Class	IP68
Length, mm (in)	330 (13)
Operation Temperature, °C(°F)	-50 to 100 (-58 to 212)
Storage Temperature, °C(°F)	-50 to 100 (-58 to 212)
Package Quantity	1

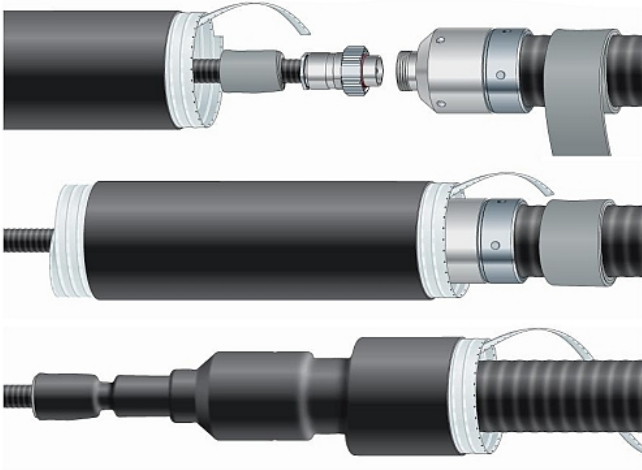
Notes

Other Documentation

Installation Instruction : [2800100-B.pdf](#)



Cold shrink tube, 1-1/4" to 1-1/4", 1-1/4" to 1-5/8", 1-5/8" to 1-5/8"



All information contained in the present datasheet is subject to confirmation at time of ordering