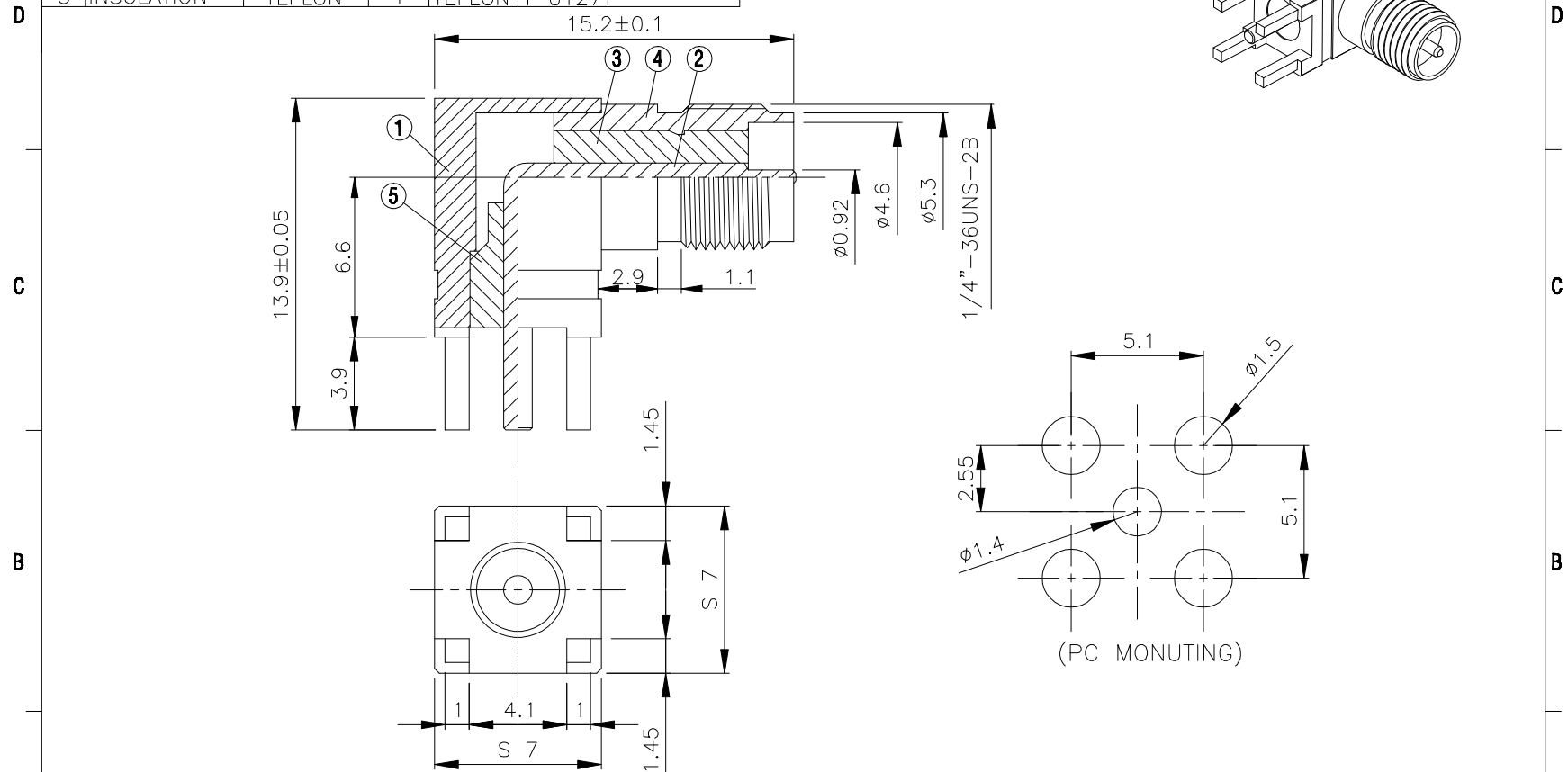
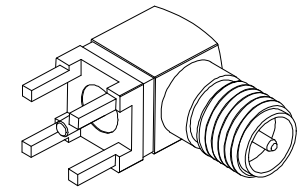


NO	DESCRIPTION	MATERIAL	Q'TY	FINISH	REMARK
1	BODY	BRASS	1	NICKEL	B-SMA0066-N
2	PIN	BE CU	1	GOLD	P-SMA0050-G
3	INSULATION	TEFLON	1	TEFLON	I-0126T
4	BODY	BRASS	1	NICKEL	B-SMA0065-N
5	INSULATION	TEFLON	1	TEFLON	I-0127T



	HUS-TSAN GROUP CO., LTD.		DRAWN	MARY	DATE	96.03.30			REVISION		
	P.O.BOX 40-76.TAINAN.TAIWAN,R.O.C.		CHECKED	蘇姿潔	DATE				DESCRIPTION	ENGINEER	
	TITLE SMA FEMALE PCB MOUNT (REVERSE POLARITY)		Q.A.	馮健華	DATE						
	PART NO. SMA-11-TGN-RP		APPROVAL	徐燦霖	DATE						
	DRAWING NO. SMA 11 TGN-RP		REVISION		DATE						
						DIMENSIONS ARE IN MILLIMETERS					
						UNLESS OTHERWISE SPECIFIED TOLERANCE					
						0.5-5=±0.2	120-315=±1				
						5-30=±0.4	315-1000=±1.6				
						30-120±0.6	1000-2000=±2.4				
						SCALE	4:1	SIZE	A		